

Body

360 Windows

DRIVER'S

With: FEATURE 31200-19, -20 _____ 1

KIT BREAKDOWN

SOLID

30 FT, 2DR

_____ 2

SOLID

30 FT, 2 DR

INSULATED

_____ 3

30 FT, 2DR

_____ 4

30 FT, FRT DR

_____ 5

INSULATED

_____ 6

35 FT, 2 DR

INSULATED

_____ 7

35 FT, FRT DR

_____ 8

INSULATED

_____ 9

TRANSIT

HEHR

SOLID

35 FT, 2DR

_____ 10

UPPER TRANSIT

35 FT, 2DR

_____ 11

WINDOW IDENTIFICATION

_____ 12

UPPER

30 FT, 2DR

_____ 13

30 FT, 2DR

_____ 14

UPPER, 30 FT, FRT DR

15

UPPER, 35 FT, FRT DR

16

WINDSHIELDS

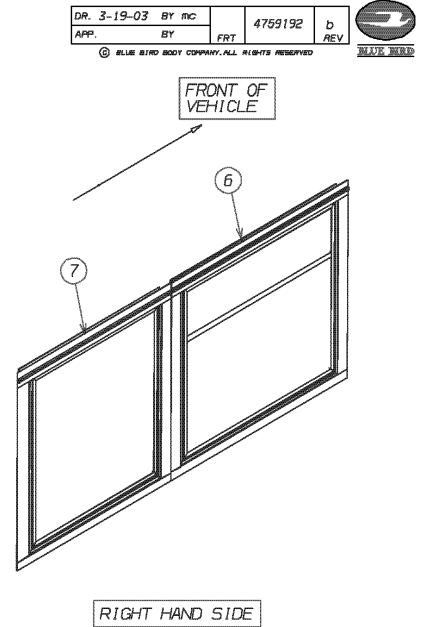
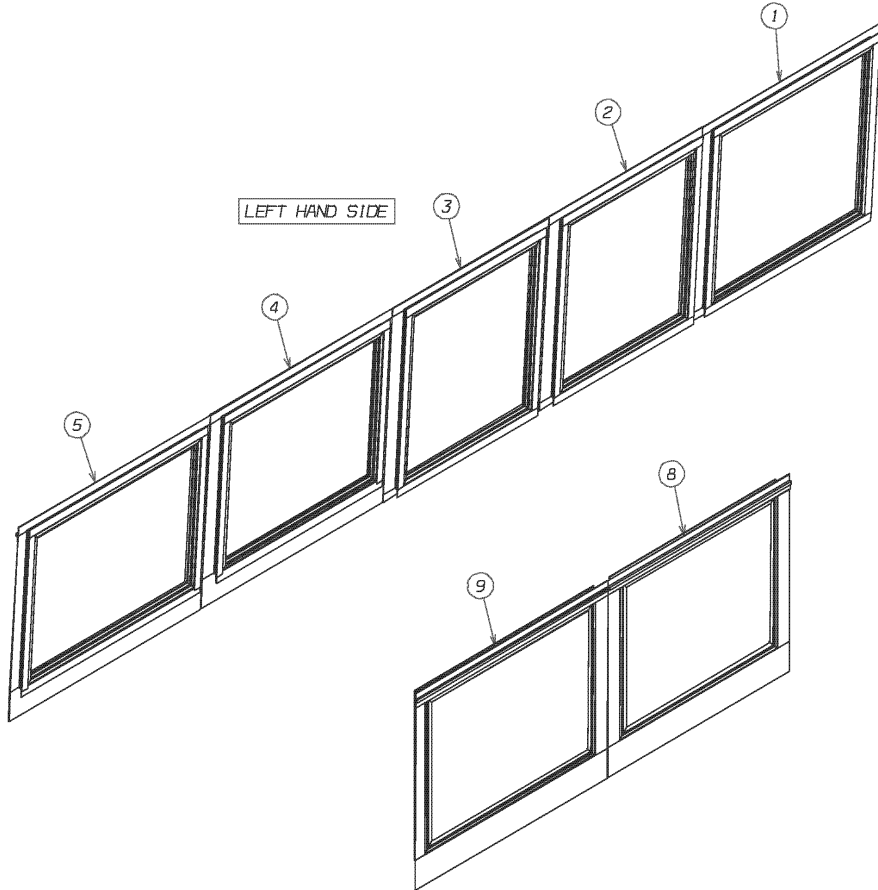
17

Models: L4RE
DRIVER'S
With: FEATURE 31200-19, -20

Key	PartNumber	Qty	Description	Comment
	4755809		WINDOW UNIT,DRIVERS SIGNAL,INSL GLZ	
	4761232		WINDOW UNIT,DRIVERS SIGNAL,SGL GLZ	

Models: **L4RE
KIT BREAKDOWN
SOLID
30 FT, 2DR**

Key	PartNumber	Qty	Description	Comment
-----	------------	-----	-------------	---------



DR. 3-19-03	BY mc	4759192	D
APP.	BY	FRT	REV.

© BLUE BIRD BODY COMPANY. ALL RIGHTS RESERVED

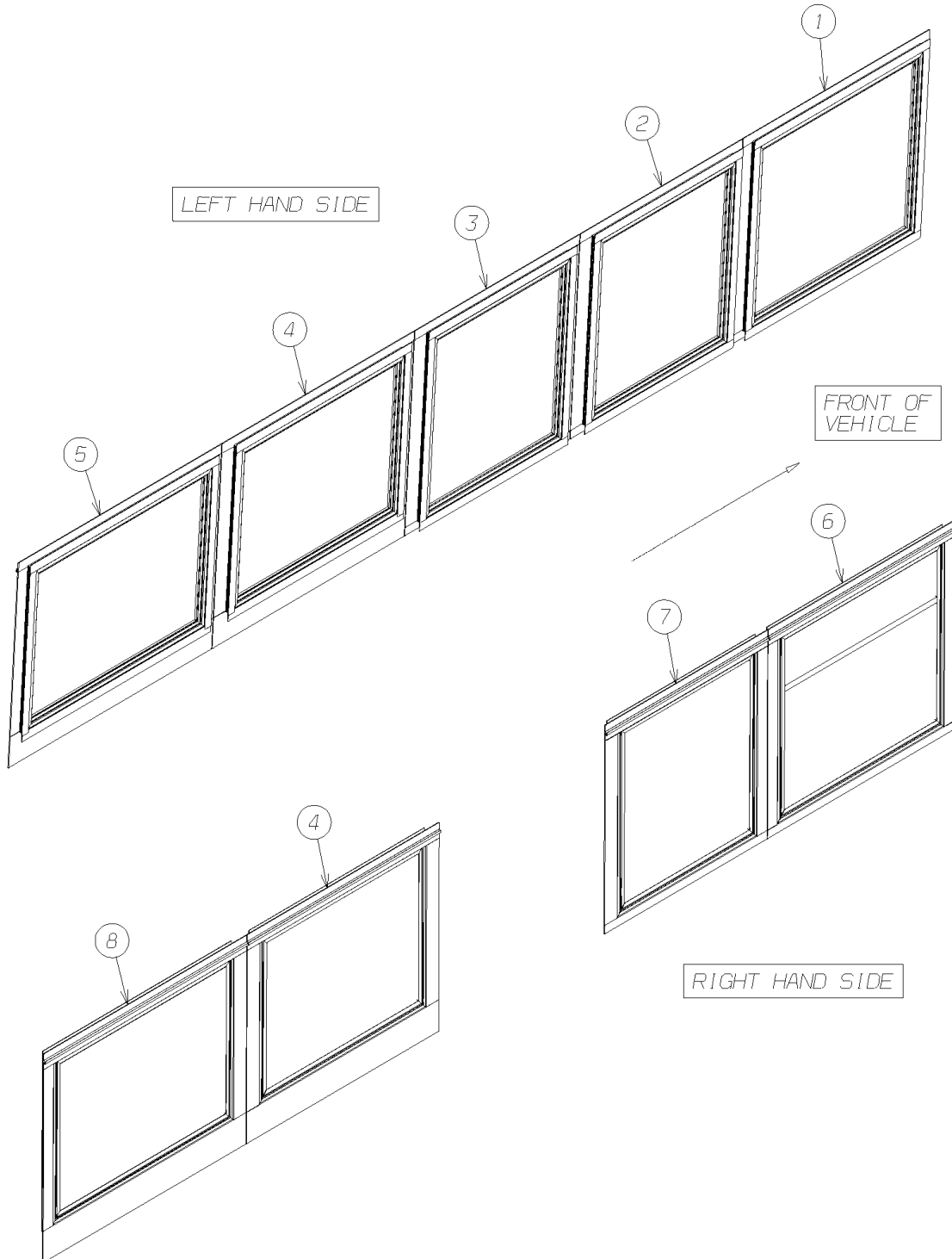


Models: L4RE
 KIT BREAKDOWN
 SOLID
 30 FT, 2DR

Key	PartNumber	Qty	Description	Comment
	4759192		GLAZING KIT,SOLID,SG,30FT,2D,L4RE	CONSISTS OF THE FOLLOWING
1	4755974		WINDOW UNIT SG SOLID 1300 BAY	
2	4762345		WINDOW ASSY,SGL,ESCAPE,1100 BAY LH	
3	4755814		WINDOW UNIT SG SOLID 1100 BAY	
4	4755812	2	WINDOW UNIT SG, ESCAPE 1300 BAY	
5	4755972		WINDOW UNIT SG SOLID 1400 BAY LH	
	0091975		GLASS,WINDOW,SOLID,1400 BAY,LH,4755972	
6	4761243		WINDOW UNIT,DESTINATION,SG,SOLID,1300	
	0091982		GLASS,WINDOW,DESTINATION,	
	0092058		GLASS,UPPER,DESTINATION,1300 BAY,4761243	
7	4762525		WINDOW ASSY,SGL,SOLID,ESCAPE,1100 BAY	
8	4755973		WINDOW UNIT SG SOLID 1400 BAY RH	
	0091974		GLASS,WINDOW,SOLID,1400 BAY,RH,4755973	

Models: L4RE
 SOLID
 30 FT, 2 DR
 INSULATED

Key	PartNumber	Qty	Description	Comment
-----	------------	-----	-------------	---------




**Models: L4RE
SOLID
30 FT, 2 DR
INSULATED**

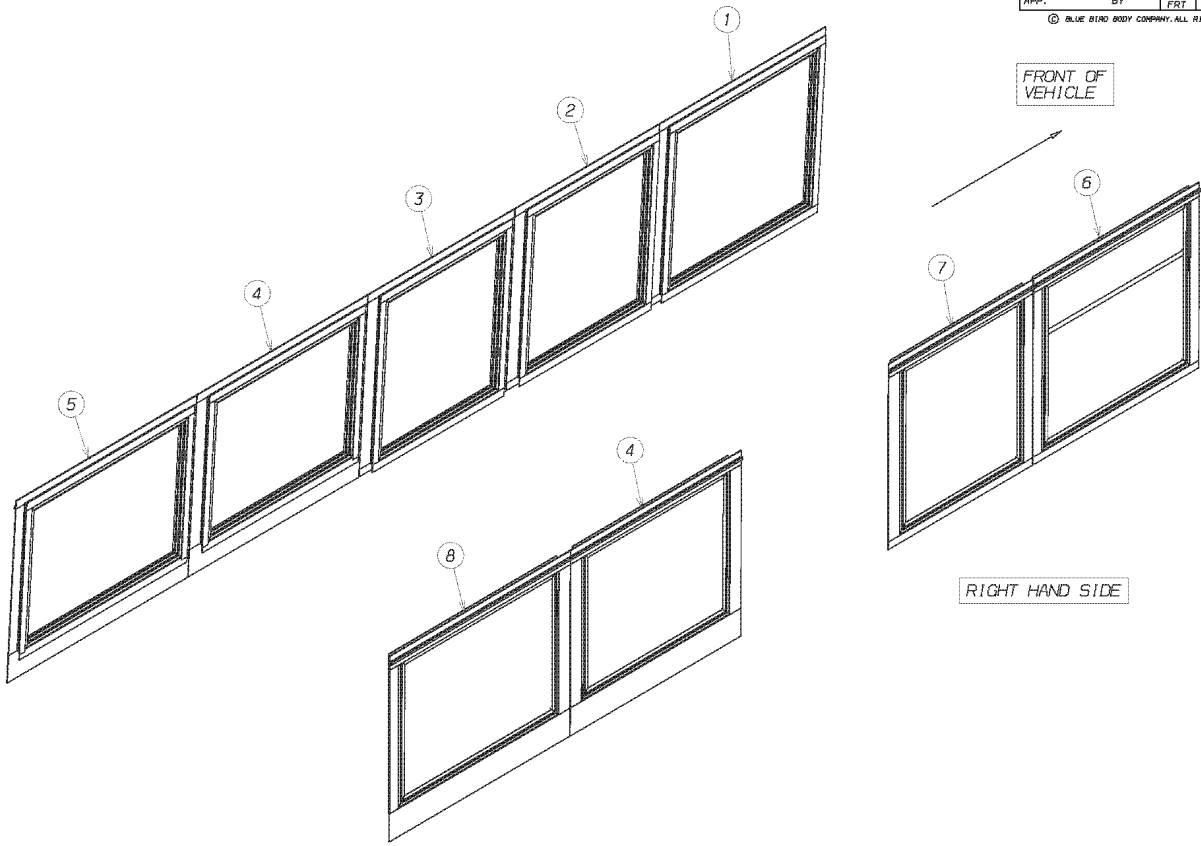
Key	PartNumber	Qty	Description	Comment
	0065968		KIT, GLAZING, INSL, 30 FT, 2 DOOR, L4RE	
1	0065954		WINDOW ASSY, INSL, SOLID, 1300 BAY, L4RE	
2	0065961		WINDOW ASSY, INSL, ESCAPE, 1100 BAY, L4RE	
3	0065962		WINDOW ASSY, INSL, SOLID, 1100 BAY, L4RE	
4	0065963	2	WINDOW ASSY, INSL, ESCAPE, 1300 BAY, L4RE	
5	0065964		WINDOW ASSY, INSL, SOLID, 1400 BAY LH, L4RE	
6	0065965		WINDOW ASSY, INSL, DESTINATION, 1300 BAY,	
7	0065966		WINDOW ASSY, INSL, ESCAPE, 1100 BAY RH,	
8	0065967		WINDOW ASSY, INSL, SOLID, 1400 BAY RH, L4RE	

Models: L4RE
SOLID
30 FT, 2DR

Key	PartNumber	Qty	Description	Comment
-----	------------	-----	-------------	---------

DR. 6-10-03	BY MR	4752344	REV	
APP.	BY	FRT	REV	

© BLUE BIRD BODY COMPANY. ALL RIGHTS RESERVED




**Models: L4RE
SOLID
30 FT, 2DR**

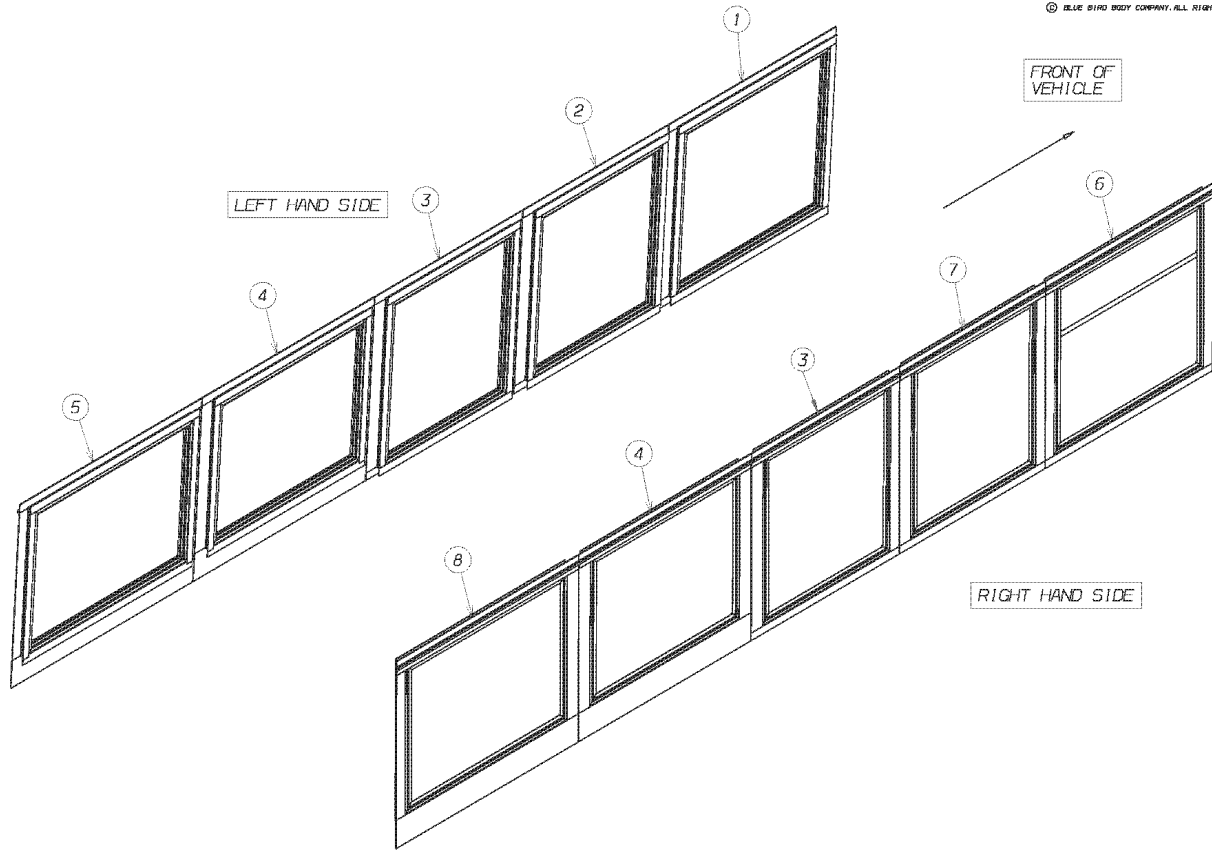
Key	PartNumber	Qty	Description	Comment
	4762344		KIT, GLAZING, SOLID, SG, 30FT, 2D, L4RE	
1	4762347		WINDOW ASSY, SGL, SOLID, ESCAPE, 1300 BAY	
2	4759178		WINDOW UNIT SG SOLID 1100 BAY LH	
3	4755814		WINDOW UNIT SG SOLID 1100 BAY	
4	4755812	2	WINDOW UNIT SG, ESCAPE 1300 BAY	
5	4755972		WINDOW UNIT SG SOLID 1400 BAY LH	
	0091975		GLASS, WINDOW, SOLID, 1400 BAY, LH, 4755972	
6	4761243		WINDOW UNIT, DESTINATION, SG, SOLID, 1300	
	0092058		GLASS, UPPER, DESTINATION, 1300 BAY, 4761243	
	0091982		GLASS, WINDOW, DESTINATION,	
7	4762525		WINDOW ASSY, SGL, SOLID, ESCAPE, 1100 BAY	
8	4755973		WINDOW UNIT SG SOLID 1400 BAY RH	
	0091974		GLASS, WINDOW, SOLID, 1400 BAY, RH, 4755973	

Models: L4RE
SOLID
30 FT, FRT DR

Key	PartNumber	Qty	Description	Comment
-----	------------	-----	-------------	---------

DR. 04/08/05	BY MF	0065997	C	
APP.	BY FRT	REV	REV	

© BLUE BIRD BODY COMPANY. ALL RIGHTS RESERVED

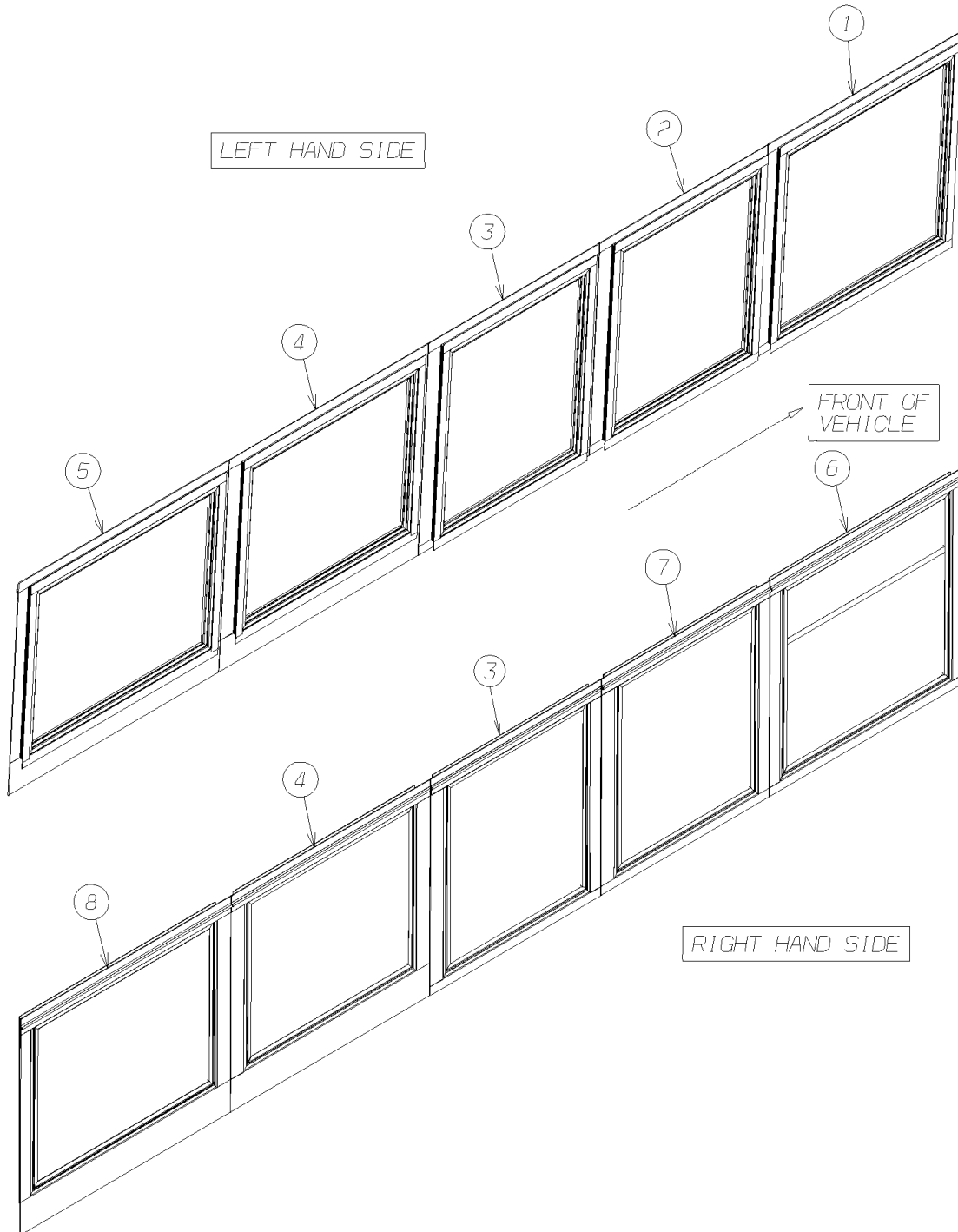


**Models: L4RE
SOLID
30 FT, FRT DR**

Key	PartNumber	Qty	Description	Comment
	0065997		KIT, GLAZING, SOLID, SG, 30 FT, FRT DR, L4RE	
1	4755974		WINDOW UNIT SG SOLID 1300 BAY	
2	4762345	2	WINDOW ASSY, SGL, ESCAPE, 1100 BAY LH	
3	4755814	2	WINDOW UNIT SG SOLID 1100 BAY	
4	4755812	2	WINDOW UNIT SG, ESCAPE 1300 BAY	
5	4755972		WINDOW UNIT SG SOLID 1400 BAY LH	
	0091975		GLASS, WINDOW, SOLID, 1400 BAY, LH, 4755972	
6	4761243		WINDOW UNIT, DESTINATION, SG, SOLID, 1300	
	0092058		GLASS, UPPER, DESTINATION, 1300 BAY, 4761243	
	0091982		GLASS, WINDOW, DESTINATION,	
7	4762525		WINDOW ASSY, SGL, SOLID, ESCAPE, 1100 BAY	
8	4755973		WINDOW UNIT SG SOLID 1400 BAY RH	
	0091974		GLASS, WINDOW, SOLID, 1400 BAY, RH, 4755973	

Models: L4RE
SOLID
30 FT, FRT DR
INSULATED

Key	PartNumber	Qty	Description	Comment
-----	------------	-----	-------------	---------

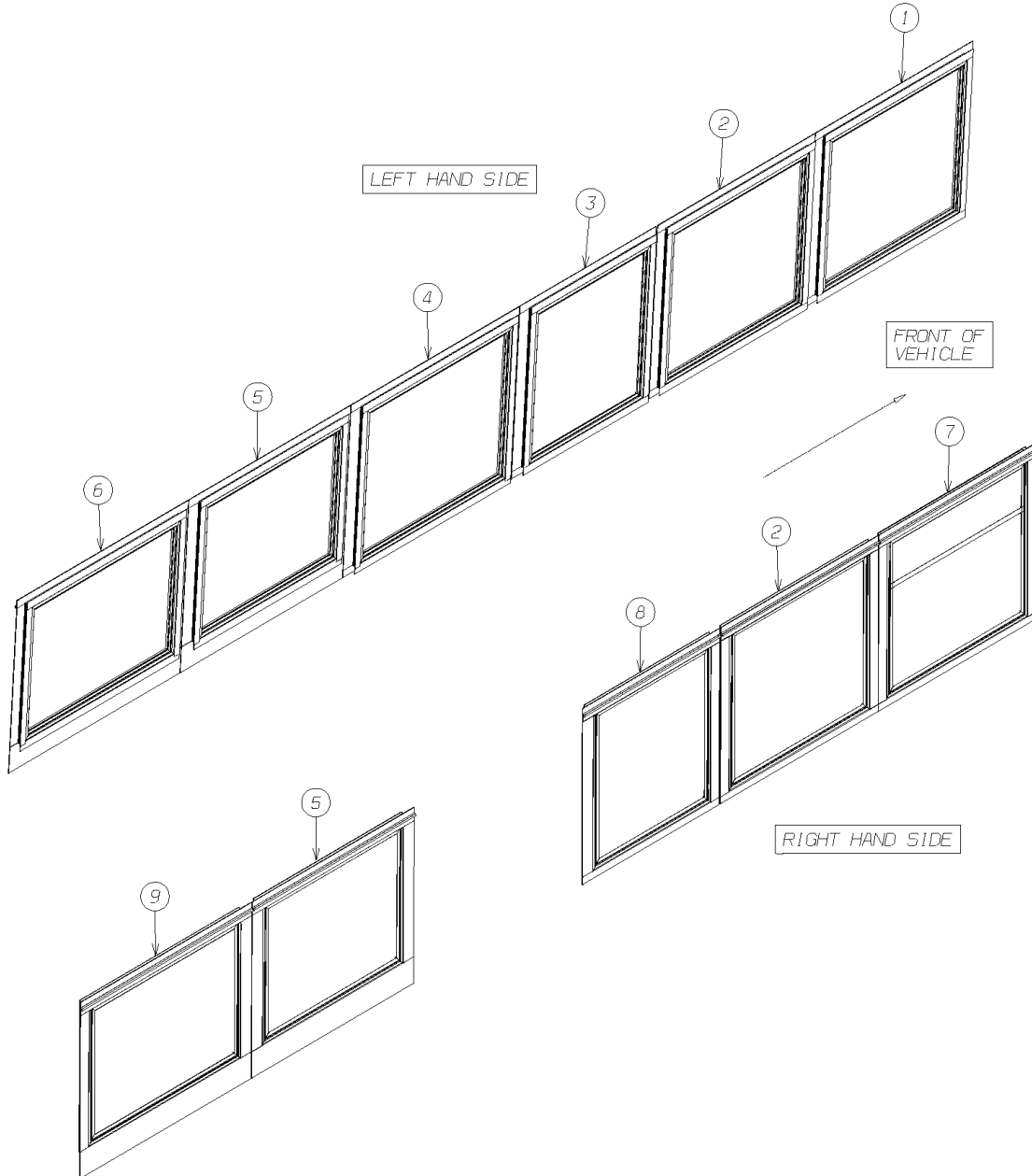


Models: L4RE
 SOLID
 30 FT, FRT DR
 INSULATED

Key	PartNumber	Qty	Description	Comment
	0065960		KIT, GLAZING, INSL, 30 FT, FRT DOOR, L4RE	
1	0065954		WINDOW ASSY, INSL, SOLID, 1300 BAY, L4RE	
2	0065961	2	WINDOW ASSY, INSL, ESCAPE, 1100 BAY, L4RE	
3	0065962	2	WINDOW ASSY, INSL, SOLID, 1100 BAY, L4RE	
4	0065963	2	WINDOW ASSY, INSL, ESCAPE, 1300 BAY, L4RE	
5	0065964		WINDOW ASSY, INSL, SOLID, 1400 BAY LH, L4RE	
6	0065965		WINDOW ASSY, INSL, DESTINATION, 1300 BAY,	
7	0065966		WINDOW ASSY, INSL, ESCAPE, 1100 BAY RH,	
8	0065967		WINDOW ASSY, INSL, SOLID, 1400 BAY RH, L4RE	

Models: L4RE
 SOLID
 35 FT, 2 DR
 INSULATED

Key	PartNumber	Qty	Description	Comment
-----	------------	-----	-------------	---------

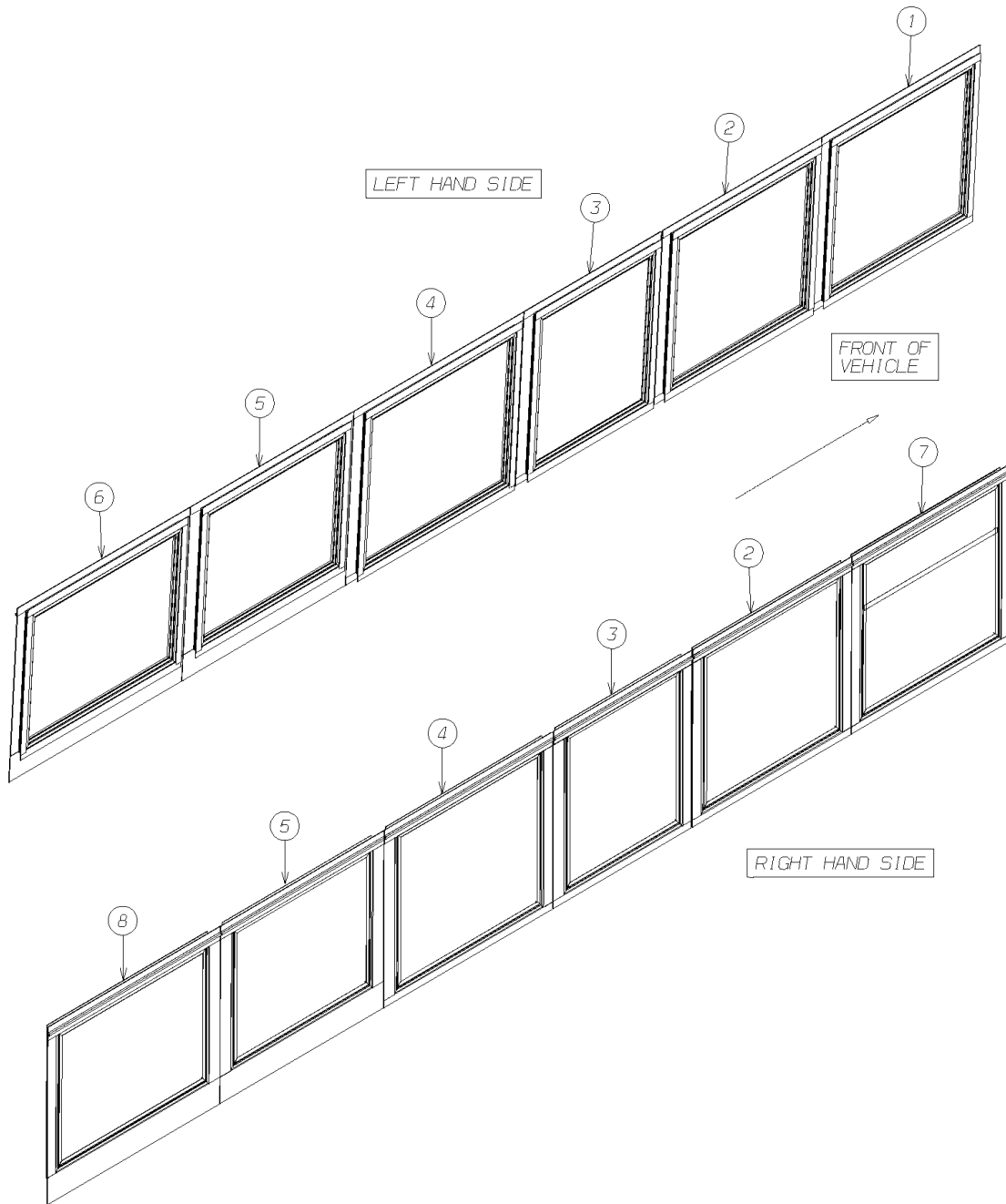


**Models: L4RE
SOLID
35 FT, 2 DR
INSULATED**

Key	PartNumber	Qty	Description	Comment
	0065985		KIT, GLAZING, INSL, 35 FT, 2 DOOR, L4RE	
1	0065954		WINDOW ASSY, INSL, SOLID, 1300 BAY, L4RE	
2	0065981	2	WINDOW ASSY, INSL, ESCAPE, 1300 BAY, 35FT,	
3	0065982		WINDOW ASSY, INSL, SOLID, 1100 BAY LH, L4RE	
4	0065983		WINDOW ASSY, INSL, SOLID, 1360 BAY, L4RE	
5	0065963	2	WINDOW ASSY, INSL, ESCAPE, 1300 BAY, L4RE	
6	0065964		WINDOW ASSY, INSL, SOLID, 1400 BAY LH, L4RE	
7	0065965		WINDOW ASSY, INSL, DESTINATION, 1300 BAY,	
8	0065984		WINDOW ASSY, INSL, SOLID, 1100 BAY RH, L4RE	
9	0065967		WINDOW ASSY, INSL, SOLID, 1400 BAY RH, L4RE	

Models: L4RE
SOLID
35 FT, FRT DR

Key	PartNumber	Qty	Description	Comment
-----	------------	-----	-------------	---------

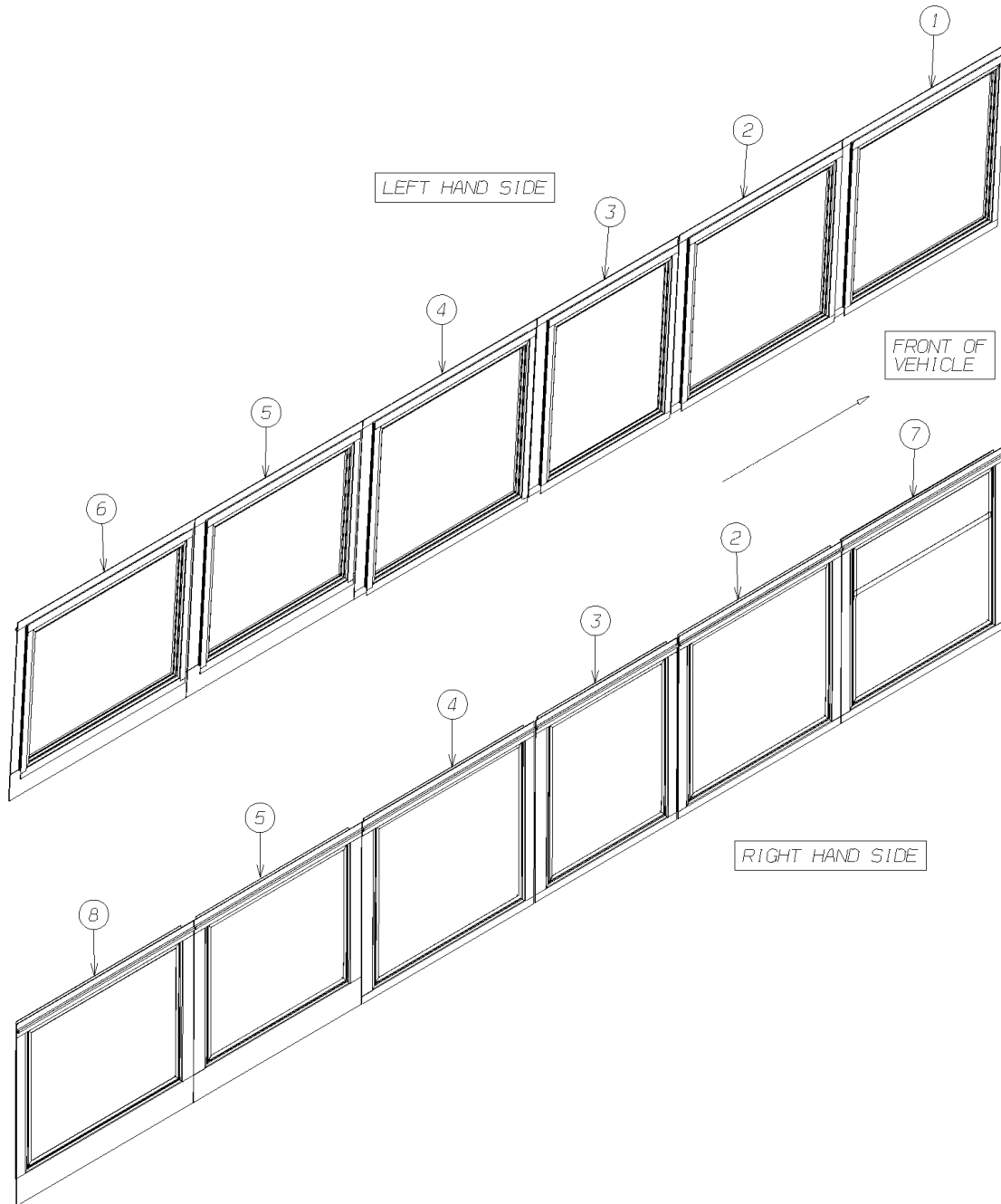


**Models: L4RE
SOLID
35 FT, FRT DR**

Key	PartNumber	Qty	Description	Comment
	0066001		KIT, GLAZING, SOLID, SG, 35 FT, FRT DR, L4RE	
1	4755974		WINDOW UNIT SG SOLID 1300 BAY	
2	4762347	2	WINDOW ASSY, SGL, SOLID, ESCAPE, 1300 BAY	
3	4759178	2	WINDOW UNIT SG SOLID 1100 BAY LH	
4	4759193	2	WINDOW UNIT SG SOLID 1360 BAY	
5	4755812	2	WINDOW UNIT SG, ESCAPE 1300 BAY	
6	4755972		WINDOW UNIT SG SOLID 1400 BAY LH	
	0091975		GLASS, WINDOW, SOLID, 1400 BAY, LH, 4755972	
7	4761243		WINDOW UNIT, DESTINATION, SG, SOLID, 1300	
	0092058		GLASS, UPPER, DESTINATION, 1300 BAY, 4761243	
	0091982		GLASS, WINDOW, DESTINATION,	
8	4755973		WINDOW UNIT SG SOLID 1400 BAY RH	
	0091974		GLASS, WINDOW, SOLID, 1400 BAY, RH, 4755973	

Models: L4RE
SOLID
35 FT, FRT DR
INSULATED

Key	PartNumber	Qty	Description	Comment
-----	------------	-----	-------------	---------

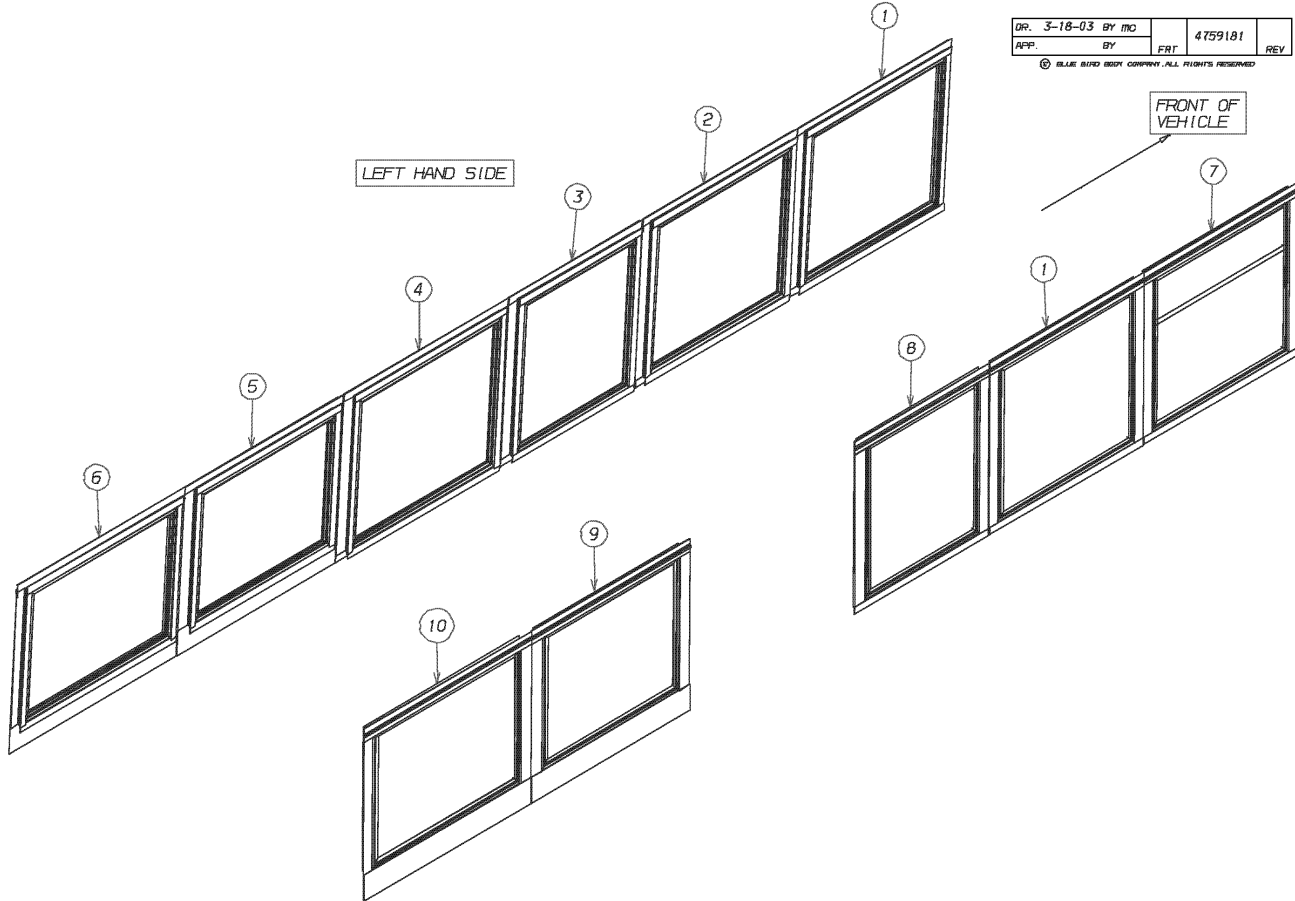


**Models: L4RE
SOLID
35 FT, FRT DR
INSULATED**

Key	PartNumber	Qty	Description	Comment
	0065986		KIT, GLAZING, INSL, 35 FT, FRONT DOOR, L4RE	
1	0065954		WINDOW ASSY, INSL, SOLID, 1300 BAY, L4RE	
2	0065981	2	WINDOW ASSY, INSL, ESCAPE, 1300 BAY, 35FT,	
3	0065982	2	WINDOW ASSY, INSL, SOLID, 1100 BAY LH, L4RE	
4	0065983	2	WINDOW ASSY, INSL, SOLID, 1360 BAY, L4RE	
5	0065963	2	WINDOW ASSY, INSL, ESCAPE, 1300 BAY, L4RE	
6	0065964		WINDOW ASSY, INSL, SOLID, 1400 BAY LH, L4RE	
7	0065965		WINDOW ASSY, INSL, DESTINATION, 1300 BAY,	
8	0065967		WINDOW ASSY, INSL, SOLID, 1400 BAY RH, L4RE	

Models: L4RE
 TRANSIT
 HEHR
 SOLID
 35 FT, 2DR

Key	PartNumber	Qty	Description	Comment
-----	------------	-----	-------------	---------



DR. 3-18-03	BY MC	4759181	
APP.	BY	FRT	REV

© BLUE BIRD BODY COMPANY - ALL RIGHTS RESERVED




Models: L4RE
 TRANSIT
 HEHR
 SOLID
 35 FT, 2DR

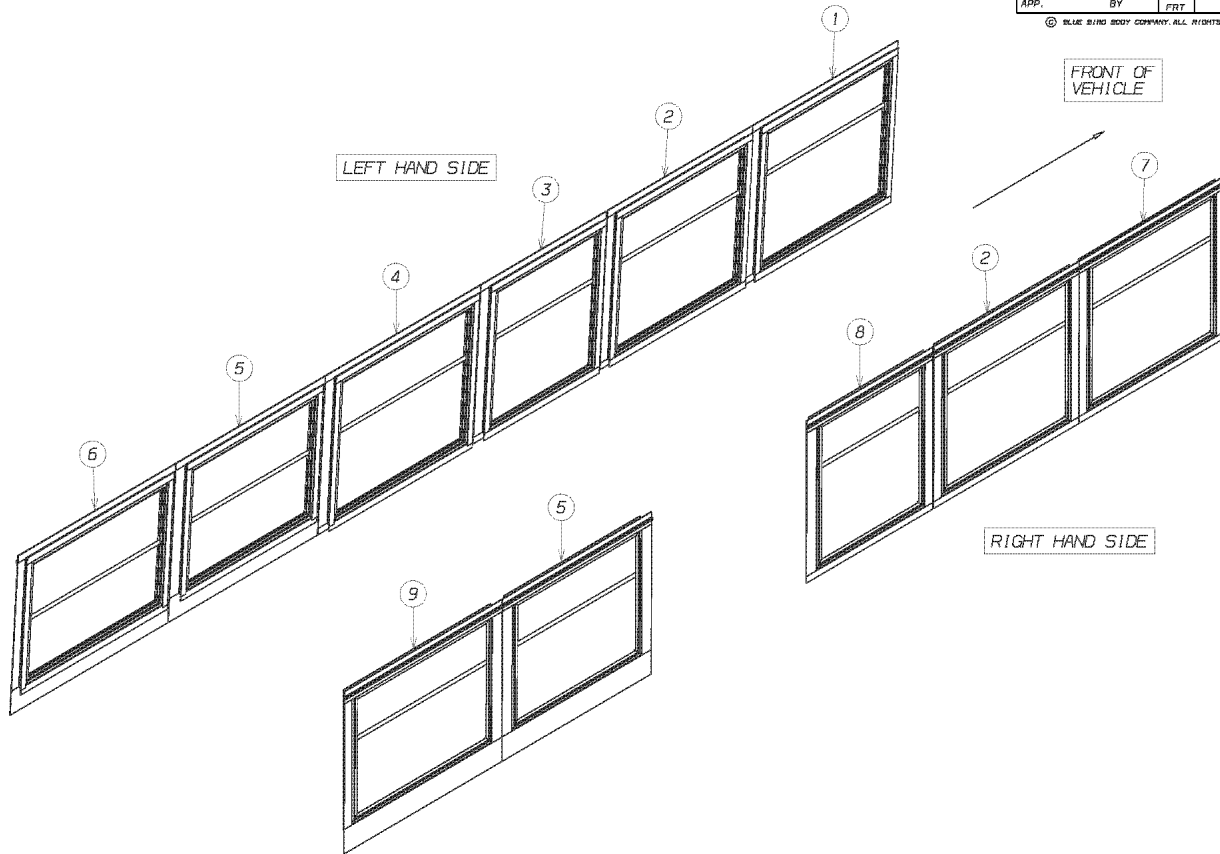
Key	PartNumber	Qty	Description	Comment
	4759181		GLAZING KIT,SOLID,SG,35FT,2D,L4RE	CONSISTS OF THE FOLLOWING
1	4755974		WINDOW UNIT SG SOLID 1300 BAY	
2	4762347	2	WINDOW ASSY,SGL,SOLID,ESCAPE,1300 BAY	
3	4759178		WINDOW UNIT SG SOLID 1100 BAY LH	
4	4759193		WINDOW UNIT SG SOLID 1360 BAY	
5	4755812	2	WINDOW UNIT SG, ESCAPE 1300 BAY	
6	4755972		WINDOW UNIT SG SOLID 1400 BAY LH	
	0091975		GLASS,WINDOW,SOLID,1400 BAY,LH,4755972	
7	4761243		WINDOW UNIT,DESTINATION,SG,SOLID,1300	
	0092058		GLASS,UPPER,DESTINATION,1300 BAY,4761243	
	0091982		GLASS,WINDOW,DESTINATION,	
8	4759179		WINDOW UNIT SG SOLID 1100 BAY RH	
9	4755973		WINDOW UNIT SG SOLID 1400 BAY RH	
	0091974		GLASS,WINDOW,SOLID,1400 BAY,RH,4755973	

Models: L4RE
 TRANSIT
 HEHR
 UPPER TRANSIT
 35 FT, 2DR

Key	PartNumber	Qty	Description	Comment
-----	------------	-----	-------------	---------

DR. 6-9-03	BY MR	4759180	B	
APP.	BY	FRY	REV	

© BLUE BIRD BODY COMPANY. ALL RIGHTS RESERVED




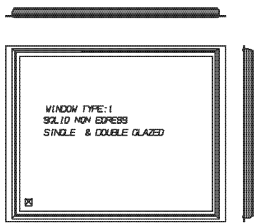
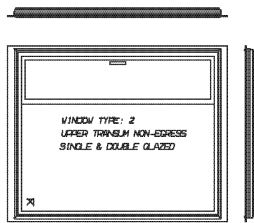
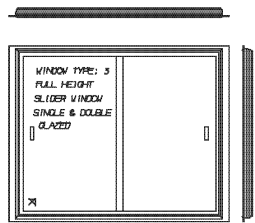
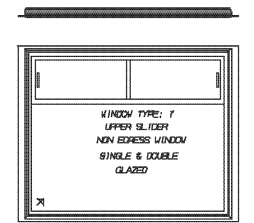
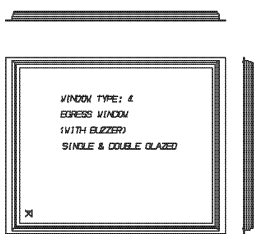
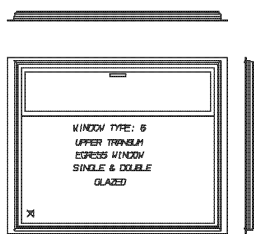
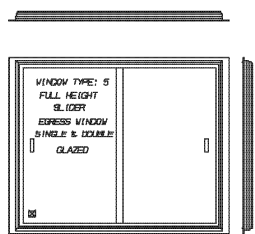
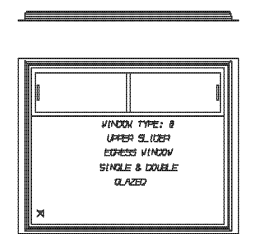
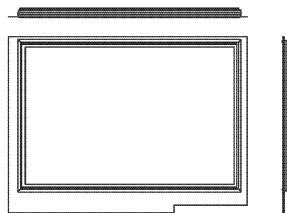
Models: L4RE
TRANSIT
HEHR
UPPER TRANSIT
35 FT, 2DR

Key	PartNumber	Qty	Description	Comment
	4759180		GLAZING KIT TRANS 35FT SG 2D-WCD	CONSISTS OF THE FOLLOWING
1	4759184		WINDOW UNIT SG TRANS 1300 BAY	
	0092042		GLASS,VENT,TRANSIT,1300 BAY,4759184	
	0091978		GLASS,WINDOW,TRANSIT,BOTTOM,1300	
2	4762522	2	WINDOW ASSY,SGL,TRANS,ESCAPE,1300 BAY	
	0092052		GLASS,VENT,TRANSIT,1300 BAY,	
	0092060		GLASS,WINDOW,BOTTOM,1300 BAY,	
3	4759186		WINDOW UNIT SG TRANS 1100 BAY LH	
	0092043		GLASS,VENT,TRANSIT,1100 BAY,LH,4759186	
	0091979		GLASS,WINDOW,TRANSIT,BOTTOM,	
4	4759191		WINDOW UNIT SG TRANS 1360 BAY	
	0092048		GLASS,VENT,TRANSIT,1360 BAY,4759191	
	0092056		GLASS,WINDOW,TRANSIT,1360 BAY,4759191	
5	4759189	2	WINDOW UNIT SG TRANS ESCAPE 1300 BAY	
	0092045		GLASS,VENT,TRANSIT,1300 BAY,	
	0091977		GLASS,WINDOW,TRANSIT,BOTTOM,	
6	4759183		WINDOW UNIT SG TRANS 1400 BAY LH	
	0092041		GLASS,VENT,TRANSIT,1400 BAY,LH,4759183	
	0089542		GLASS,BOTTOM,TRANSOM,1400,TINTED GRAY	GLASS ONLY,
7	4761243		WINDOW UNIT,DESTINATION,SG,SOLID,1300	
	0092058		GLASS,UPPER,DESTINATION,1300 BAY,4761243	
	0091982		GLASS,WINDOW,DESTINATION,	
8	4759187		WINDOW UNIT SG TRANS 1100 BAY RH	

Models: L4RE
 TRANSIT
 HEHR
 UPPER TRANSIT
 35 FT, 2DR

Key	PartNumber	Qty	Description	Comment
	0092044		GLASS,VENT,TRANSIT,1100 BAY,RH,4759187	
	0091976		GLASS,WINDOW,TRANSIT,	
9	4759190		WINDOW UNIT SG TRANS 1400 BAY RH	
	0092054		GLASS,WINDOW,TRANSIT,1400 BAY,	
	0092046		GLASS,VENT,TRANSIT,1400 BAY,RH,4759190	

**Models: L4RE
TRANSIT
HEHR
WINDOW IDENTIFICATION**

Key	PartNumber	Qty	Description	Comment												
				<table border="1"> <tr> <td>DR. 3-06-08</td> <td>BY MC</td> <td></td> <td></td> </tr> <tr> <td>APP.</td> <td>BY</td> <td>FRT</td> <td>4755976</td> </tr> <tr> <td></td> <td></td> <td></td> <td>REV.</td> </tr> </table>  <p>© BLUE BIRD BODY COMPANY, ALL RIGHTS RESERVED</p>	DR. 3-06-08	BY MC			APP.	BY	FRT	4755976				REV.
DR. 3-06-08	BY MC															
APP.	BY	FRT	4755976													
			REV.													
			 <p>WINDOW TYPE: 1 SOLID NON-EXPRESS SINGLE & DOUBLE GLAZED</p>													
			 <p>WINDOW TYPE: 2 UPPER TRANSLUM NON-EXPRESS SINGLE & DOUBLE GLAZED</p>													
			 <p>WINDOW TYPE: 3 FULL HEIGHT SLIDER WINDOW SINGLE & DOUBLE GLAZED</p>													
			 <p>WINDOW TYPE: 7 UPPER SLIDER NON-EXPRESS WINDOW SINGLE & DOUBLE GLAZED</p>													
			 <p>WINDOW TYPE: 4 EXPRESS WINDOW (WITH BLAZER) SINGLE & DOUBLE GLAZED</p>													
			 <p>WINDOW TYPE: 6 UPPER TRANSLUM EXPRESS WINDOW SINGLE & DOUBLE GLAZED</p>													
			 <p>WINDOW TYPE: 5 FULL HEIGHT SLIDER EXPRESS WINDOW SINGLE & DOUBLE GLAZED</p>													
			 <p>WINDOW TYPE: 8 UPPER SLIDER EXPRESS WINDOW SINGLE & DOUBLE GLAZED</p>													
																

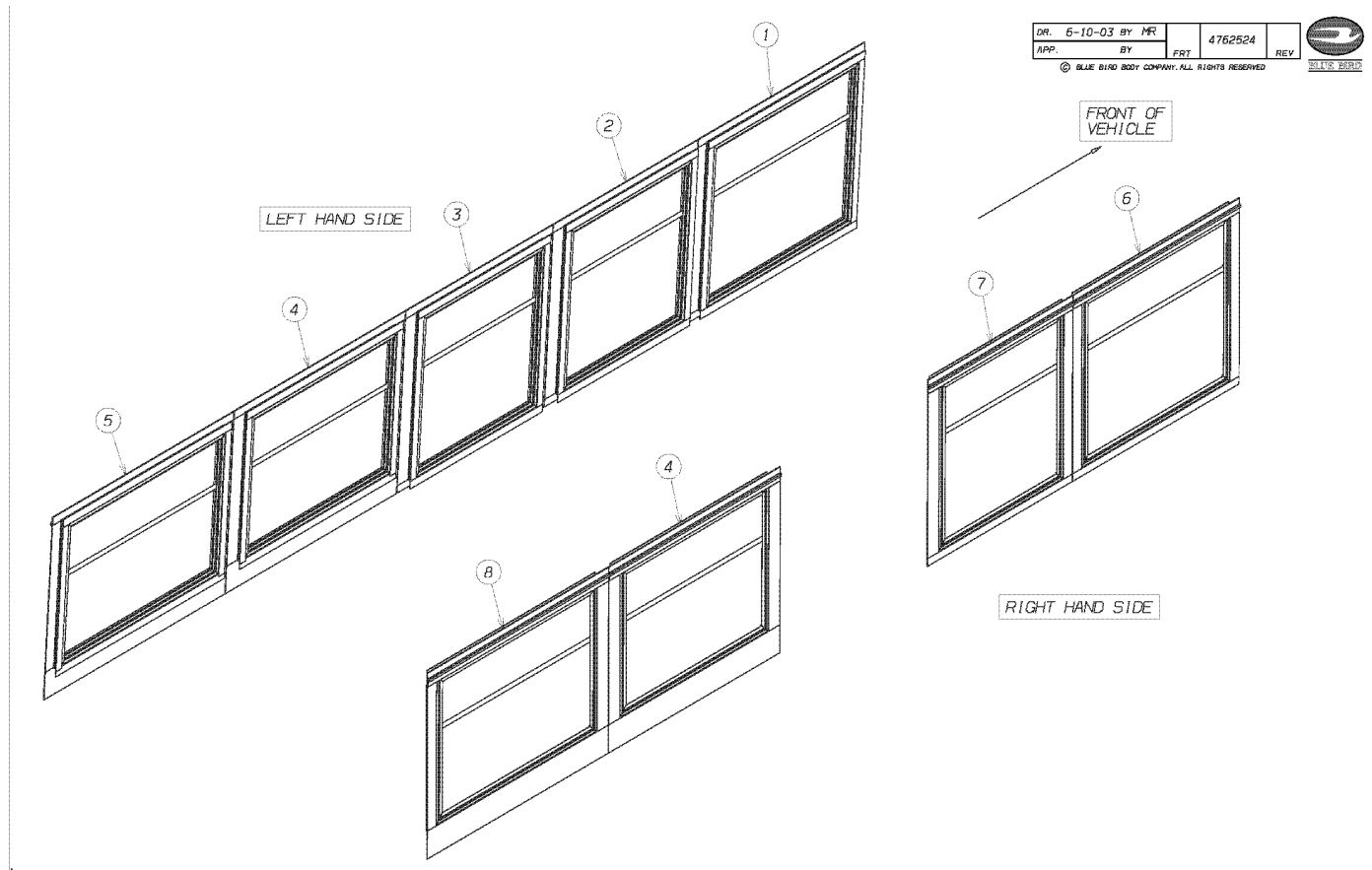
Models: L4RE
TRANSIT
HEHR
WINDOW IDENTIFICATION

Key	PartNumber	Qty	Description	Comment
-----	------------	-----	-------------	---------

WINDOW TYPE 1 THROUGH 8

Models: L4RE
TRANSIT
UPPER
30 FT, 2DR

Key	PartNumber	Qty	Description	Comment
-----	------------	-----	-------------	---------



Models: L4RE
TRANSIT
UPPER
30 FT, 2DR

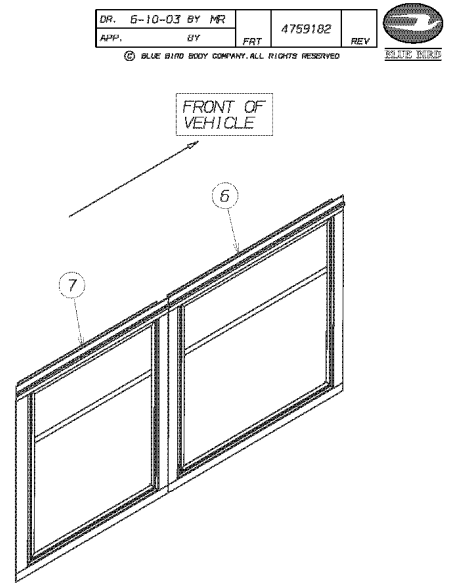
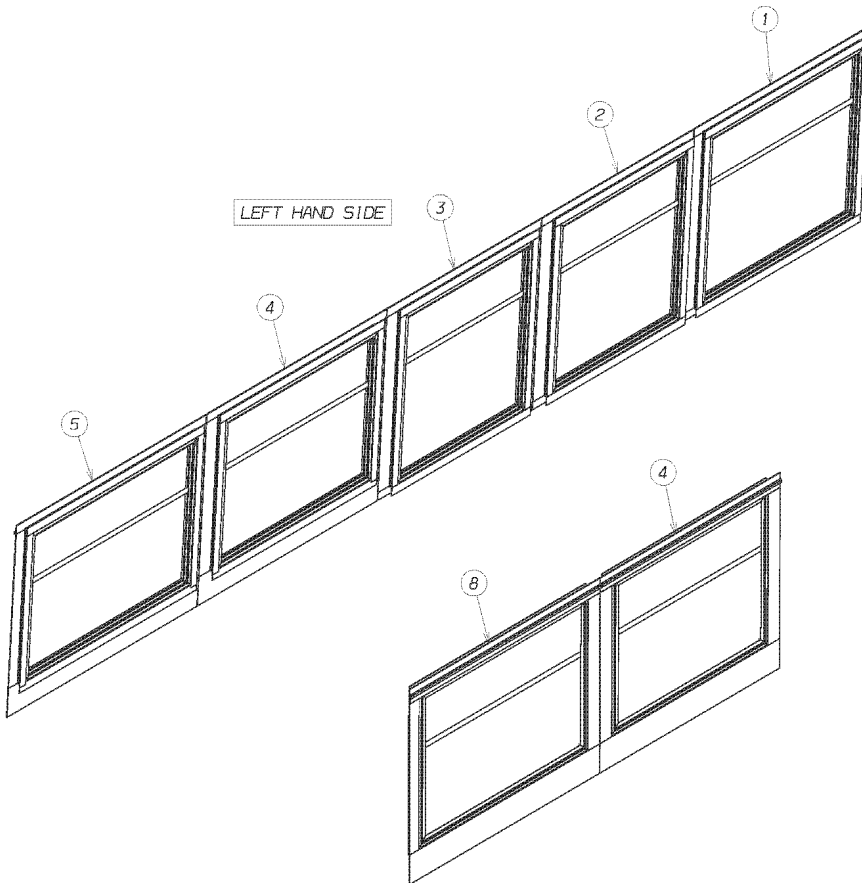
Key	PartNumber	Qty	Description	Comment
	4762524		KIT, GLAZING, TRANS, SGL, 30FT, 2D, L4RE	CONSISTS OF THE FOLLOWING
5	4759183		WINDOW UNIT SG TRANS 1400 BAY LH	
	0092041		GLASS, VENT, TRANSIT, 1400 BAY, LH, 4759183	
	0089542		GLASS, BOTTOM, TRANSOM, 1400, TINTED GRAY	GLASS ONLY,
3	4759186		WINDOW UNIT SG TRANS 1100 BAY LH	
	0092043		GLASS, VENT, TRANSIT, 1100 BAY, LH, 4759186	
	0091979		GLASS, WINDOW, TRANSIT, BOTTOM,	
4	4759189	2	WINDOW UNIT SG TRANS ESCAPE 1300 BAY	
	0092045		GLASS, VENT, TRANSIT, 1300 BAY,	
	0091977		GLASS, WINDOW, TRANSIT, BOTTOM,	
8	4759190		WINDOW UNIT SG TRANS 1400 BAY RH	
	0092046		GLASS, VENT, TRANSIT, 1400 BAY, RH, 4759190	
	0092054		GLASS, WINDOW, TRANSIT, 1400 BAY,	
3	4759196		WINDOW UNIT SG TRANS 1100 BAY	
	0092057		GLASS, WINDOW, TRANSIT, 1100 BAY, 4759196	
	0092049		GLASS, VENT, TRANSIT, 1100 BAY, 4759196	
6	4761243		WINDOW UNIT, DESTINATION, SG, SOLID, 1300	
	0092058		GLASS, UPPER, DESTINATION, 1300 BAY, 4761243	
	0091982		GLASS, WINDOW, DESTINATION,	
7	4762346		WINDOW ASSY, SGL, TRANS, ESCAPE, 1100 BAY	
	0092050		GLASS, VENT, TRANSIT, 1100 BAY, RH,	
	0092059		GLASS, WINDOW, BOTTOM, 1100, RH,	
2	4762522	2	WINDOW ASSY, SGL, TRANS, ESCAPE, 1300 BAY	

Models: L4RE
TRANSIT
UPPER
30 FT, 2DR

Key	PartNumber	Qty	Description	Comment
	0092052		GLASS,VENT,TRANSIT,1300 BAY,	
	0092060		GLASS,WINDOW,BOTTOM,1300 BAY,	

Models: L4RE
TRANSIT
UPPER
30 FT, 2DR

Key	PartNumber	Qty	Description	Comment
-----	------------	-----	-------------	---------



DR. 6-10-03 BY MR	4759182	REV	
APP. BY	FRT	REV	BLUE BIRD

© BLUE BIRD BODY COMPANY. ALL RIGHTS RESERVED

Models: L4RE
TRANSIT
UPPER
30 FT, 2DR

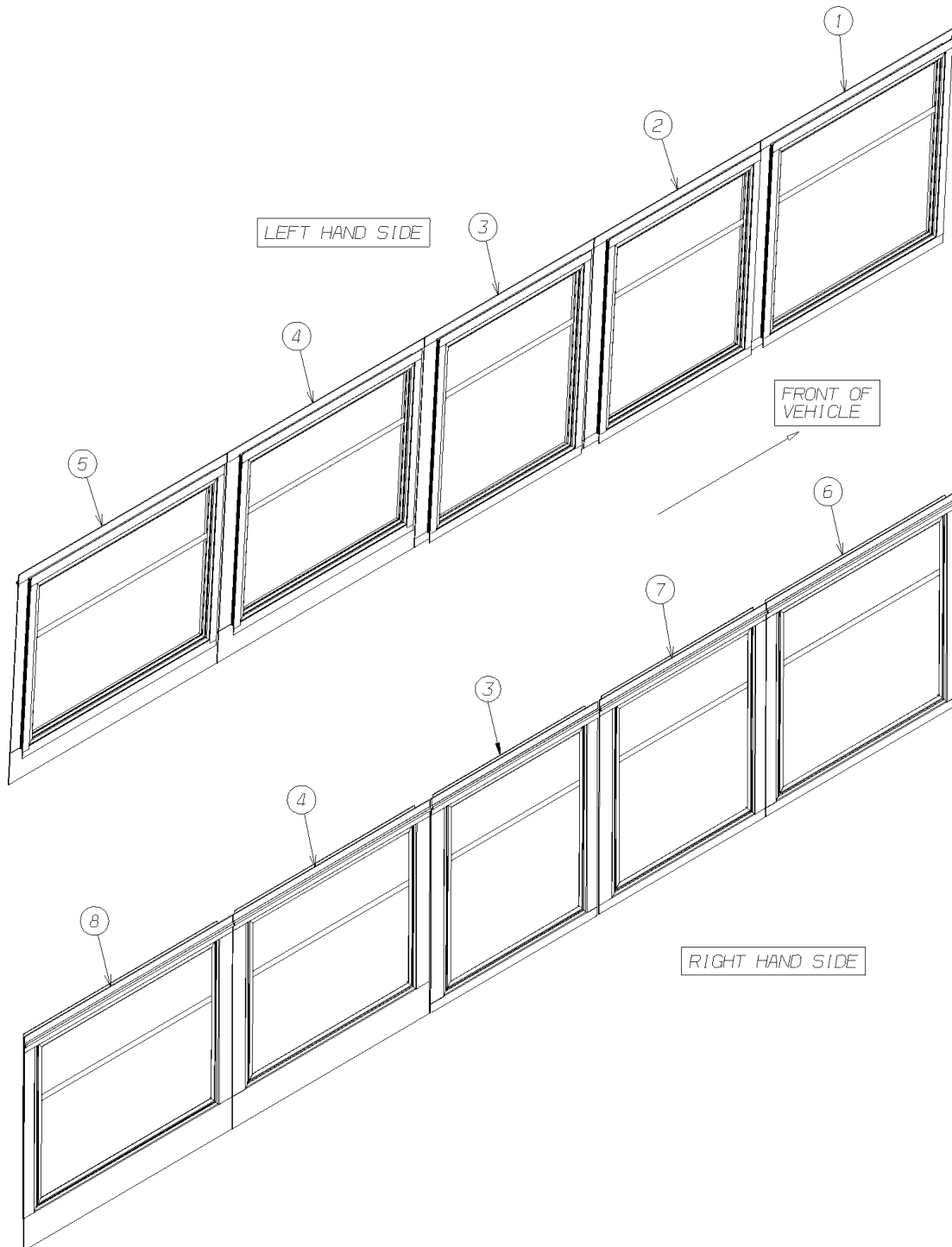
Key	PartNumber	Qty	Description	Comment
	4759182		GLAZING KIT TRANS 30FT SG 2D	CONSISTS OF THE FOLLOWING
1	4759184		WINDOW UNIT SG TRANS 1300 BAY	
	0092042		GLASS,VENT,TRANSIT,1300 BAY,4759184	
	0091978		GLASS,WINDOW,TRANSIT,BOTTOM,1300	
2	4762523		WINDOW ASSY,SGL,TRANS,ESCAPE,1100 BAY	
	0092053		GLASS,VENT,TRANSIT,1100 BAY,	
	0092061		GLASS,WINDOW,TRANSIT,1100,	
3	4759196		WINDOW UNIT SG TRANS 1100 BAY	
	0092049		GLASS,VENT,TRANSIT,1100 BAY,4759196	
	0092057		GLASS,WINDOW,TRANSIT,1100 BAY,4759196	
4	4759189	2	WINDOW UNIT SG TRANS ESCAPE 1300 BAY	
	0092045		GLASS,VENT,TRANSIT,1300 BAY,	
	0091977		GLASS,WINDOW,TRANSIT,BOTTOM,	
5	4759183		WINDOW UNIT SG TRANS 1400 BAY LH	
	0092041		GLASS,VENT,TRANSIT,1400 BAY,LH,4759183	
	0089542		GLASS,BOTTOM,TRANSOM,1400,TINTED GRAY	GLASS ONLY
6	4761243		WINDOW UNIT,DESTINATION,SG,SOLID,1300	
	0091982		GLASS,WINDOW,DESTINATION,	
	0092058		GLASS,UPPER,DESTINATION,1300 BAY,4761243	
7	4762346		WINDOW ASSY,SGL,TRANS,ESCAPE,1100 BAY	
	0092050		GLASS,VENT,TRANSIT,1100 BAY,RH,	
	0092059		GLASS,WINDOW,BOTTOM,1100,RH,	
8	4759190		WINDOW UNIT SG TRANS 1400 BAY RH	

Models: L4RE
TRANSIT
UPPER
30 FT, 2DR

Key	PartNumber	Qty	Description	Comment
	0092046		GLASS,VENT,TRANSIT,1400 BAY,RH,4759190	
	0092054		GLASS,WINDOW,TRANSIT,1400 BAY,	

Models: L4RE
TRANSIT
UPPER, 30 FT, FRT DR

Key	PartNumber	Qty	Description	Comment
-----	------------	-----	-------------	---------



**Models: L4RE
TRANSIT
UPPER, 30 FT, FRT DR**

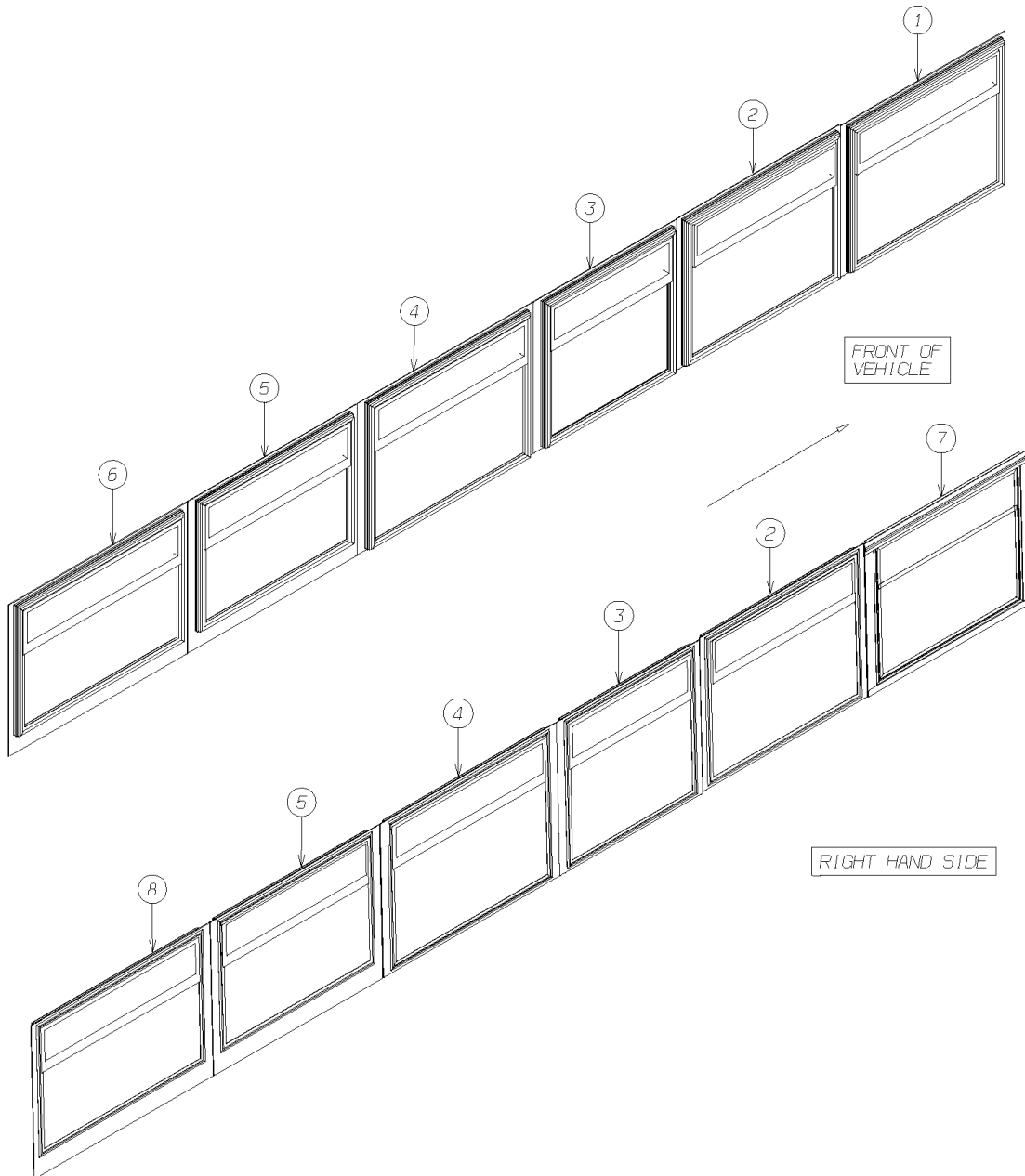
Key	PartNumber	Qty	Description	Comment
	0065999		KIT, GLAZING, TRANSOM, SG, 30 FT, FRT DR, L4RE	
1	4759184		WINDOW UNIT SG TRANS 1300 BAY	
	0092042		GLASS, VENT, TRANSIT, 1300 BAY, 4759184	
	0091978		GLASS, WINDOW, TRANSIT, BOTTOM, 1300	
2	4762523	2	WINDOW ASSY, SGL, TRANS, ESCAPE, 1100 BAY	
	0092053		GLASS, VENT, TRANSIT, 1100 BAY,	
	0092061		GLASS, WINDOW, TRANSIT, 1100,	
3	4759196	2	WINDOW UNIT SG TRANS 1100 BAY	
	0092049		GLASS, VENT, TRANSIT, 1100 BAY, 4759196	
	0092057		GLASS, WINDOW, TRANSIT, 1100 BAY, 4759196	
4	4759189	2	WINDOW UNIT SG TRANS ESCAPE 1300 BAY	
	0092045		GLASS, VENT, TRANSIT, 1300 BAY,	
	0091977		GLASS, WINDOW, TRANSIT, BOTTOM,	
5	4759183		WINDOW UNIT SG TRANS 1400 BAY LH	
	0092041		GLASS, VENT, TRANSIT, 1400 BAY, LH, 4759183	
	0089542		GLASS, BOTTOM, TRANSOM, 1400, TINTED GRAY	GLASS ONLY,
6	4761243		WINDOW UNIT, DESTINATION, SG, SOLID, 1300	
	0092058		GLASS, UPPER, DESTINATION, 1300 BAY, 4761243	
	0091982		GLASS, WINDOW, DESTINATION,	
7	4762346		WINDOW ASSY, SGL, TRANS, ESCAPE, 1100 BAY	
	0092050		GLASS, VENT, TRANSIT, 1100 BAY, RH,	
	0092059		GLASS, WINDOW, BOTTOM, 1100, RH,	
8	4759190		WINDOW UNIT SG TRANS 1400 BAY RH	

Models: L4RE
TRANSIT
UPPER, 30 FT, FRT DR

Key	PartNumber	Qty	Description	Comment
	0092054		GLASS,WINDOW,TRANSIT,1400 BAY,	
	0092046		GLASS,VENT,TRANSIT,1400 BAY,RH,4759190	

Models: L4RE
TRANSIT
UPPER, 35 FT, FRT DR

Key	PartNumber	Qty	Description	Comment
-----	------------	-----	-------------	---------



Models: L4RE
TRANSIT
UPPER, 35 FT, FRT DR

Key	PartNumber	Qty	Description	Comment
	0066000		KIT, GLAZING, TRANSOM, SG, 35 FT, FRT DR, L4RE	
1	4759184		WINDOW UNIT SG TRANS 1300 BAY	
	0092042		GLASS, VENT, TRANSIT, 1300 BAY, 4759184	
	0091978		GLASS, WINDOW, TRANSIT, BOTTOM, 1300	
2	4762522	2	WINDOW ASSY, SGL, TRANS, ESCAPE, 1300 BAY	
	0092052		GLASS, VENT, TRANSIT, 1300 BAY,	
	0092060		GLASS, WINDOW, BOTTOM, 1300 BAY,	
3	4759186	2	WINDOW UNIT SG TRANS 1100 BAY LH	
	0092043		GLASS, VENT, TRANSIT, 1100 BAY, LH, 4759186	
	0091979		GLASS, WINDOW, TRANSIT, BOTTOM,	
4	4759191	2	WINDOW UNIT SG TRANS 1360 BAY	
	0092048		GLASS, VENT, TRANSIT, 1360 BAY, 4759191	
	0092056		GLASS, WINDOW, TRANSIT, 1360 BAY, 4759191	
5	4759189	2	WINDOW UNIT SG TRANS ESCAPE 1300 BAY	
	0092045		GLASS, VENT, TRANSIT, 1300 BAY,	
	0091977		GLASS, WINDOW, TRANSIT, BOTTOM,	
6	4759183		WINDOW UNIT SG TRANS 1400 BAY LH	
	0092041		GLASS, VENT, TRANSIT, 1400 BAY, LH, 4759183	
	0089542		GLASS, BOTTOM, TRANSOM, 1400, TINTED GRAY	GLASS ONLY,
7	4761243		WINDOW UNIT, DESTINATION, SG, SOLID, 1300	
	0092058		GLASS, UPPER, DESTINATION, 1300 BAY, 4761243	
	0091982		GLASS, WINDOW, DESTINATION,	
8	4759190		WINDOW UNIT SG TRANS 1400 BAY RH	

Models: L4RE
TRANSIT
UPPER, 35 FT, FRT DR

Key	PartNumber	Qty	Description	Comment
	0092054		GLASS,WINDOW,TRANSIT,1400 BAY,	
	0092046		GLASS,VENT,TRANSIT,1400 BAY,RH,4759190	

Models: L4RE
WINDSHIELDS

Key	PartNumber	Qty	Description	Comment
	4752435		WINDSHIELD DIVIDER	
	4755500		WINDSHIELD FRONT LH	
	4755815		WINDSHIELD FRONT RH	
	4760247		GLASS,W/S,UPR,DEST SIGN,TWIN VISION,	
	4760906		GLASS,W/S,UPR,DEST SIGN,TRANSIGN,L4RE	
	4759264		GASKET WINDSHIELD	
	4761001		LACE,RUBBER,WINDSHIELD GASKET,L4RE	