

Body

370 Heaters

AIR CONDITIONING

COMPRESSOR ASSEMBLY

COMPRESSOR INSTALLATION 1

CONDENSER ASSEMBLY CM-5 2

DRIER ASSEMBLY COMPONENTS 3

DUCTING 4

30 FOOT

With: FEATURE 31061-04 5

35 FOOT 2 DOOR

With: FEATURE 31061-05 6

FOR 30 FOOT

7

FOR 35 FOOT 2 DOOR

8

ELECTRICAL CONTROL PANEL

9

EVAPORATOR ASSEMBLY EM-17

10

PIPING COMPONENTS

11

WINDOW KIT

30 FT, 2 DR

12

35 FT, 2 DR

13

AUXILIARY

WEBASTO

14

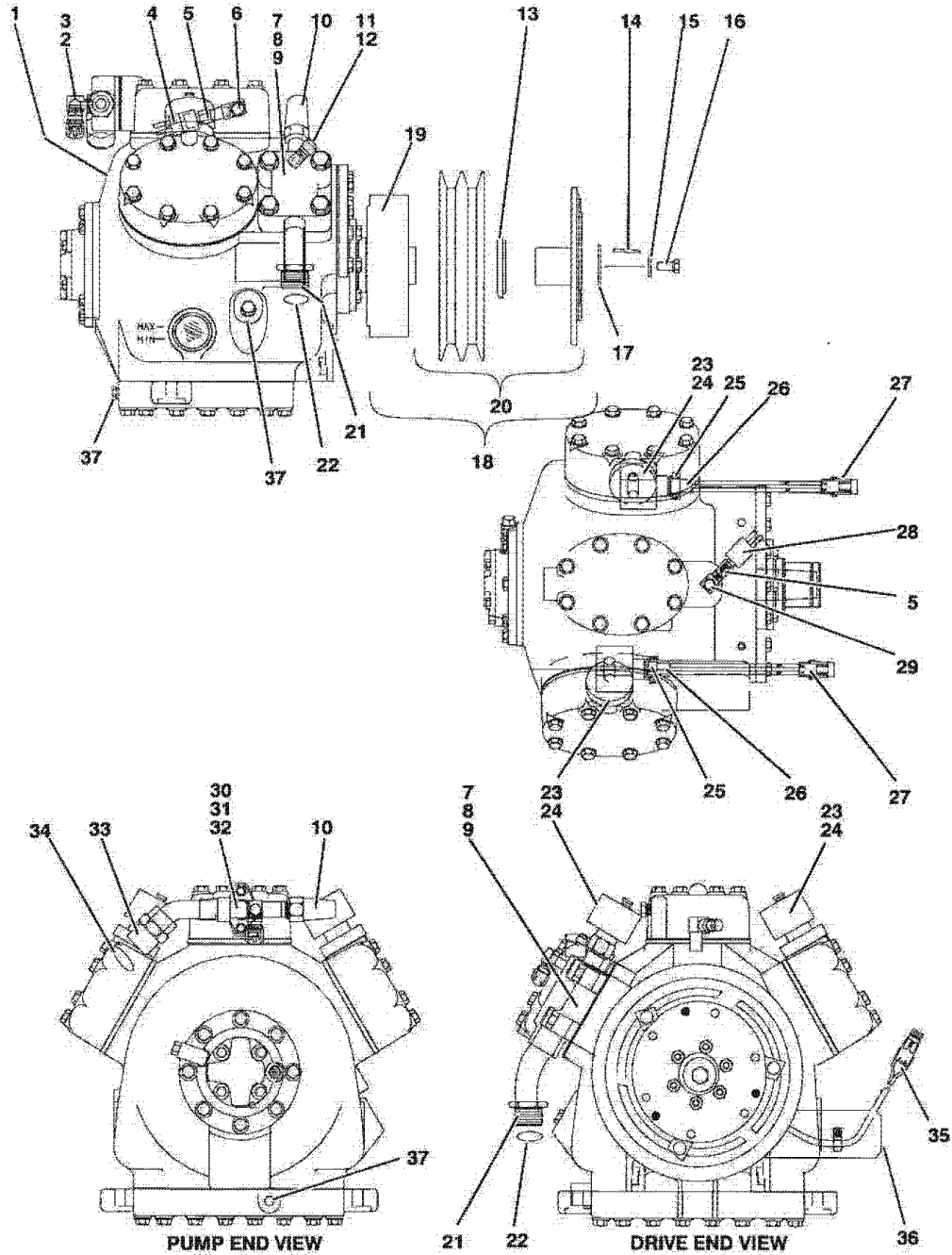
HEATER INSTALLATION

From CSN 05/13/04 15

CONVECTION HEATING	
30 FT, 1 DR	16
30 FT, 2 DR	17
35 FT, 1 DR	18
35 FT, 2 DR	19
CONVECTOR	
FRONT LH, 35 FT	20
FRONT, LH, 30 FT	21
RIGHT REAR, LH	22
RIGHT REAR, RH	23
INSTALLATION	
1 DOOR	24
2 DOOR	25
FRONT HEATER	
DEMISTER ASSY	26
MODE BOX ASSEMBLY	27
HEATER ASSY	
COMBINATION ASSEMBLY	28
UNDERSEAT HEATER	
UWE HEATER INSTALLATION	
<i>With: FEATURE 30060-37, -38, -39, -40</i>	29

Models: **L4RE**
AIR CONDITIONING
COMPRESSOR ASSEMBLY

Key	PartNumber	Qty	Description	Comment
-----	------------	-----	-------------	---------



**Models: L4RE
AIR CONDITIONING
COMPRESSOR ASSEMBLY**

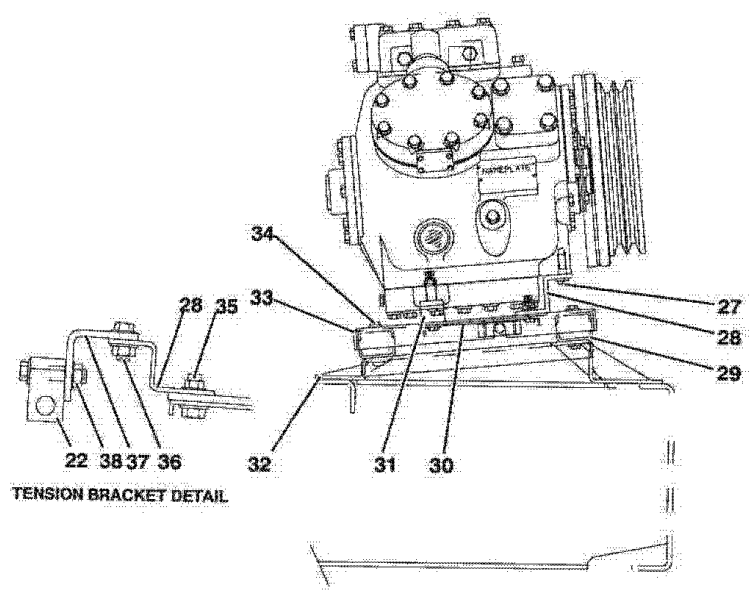
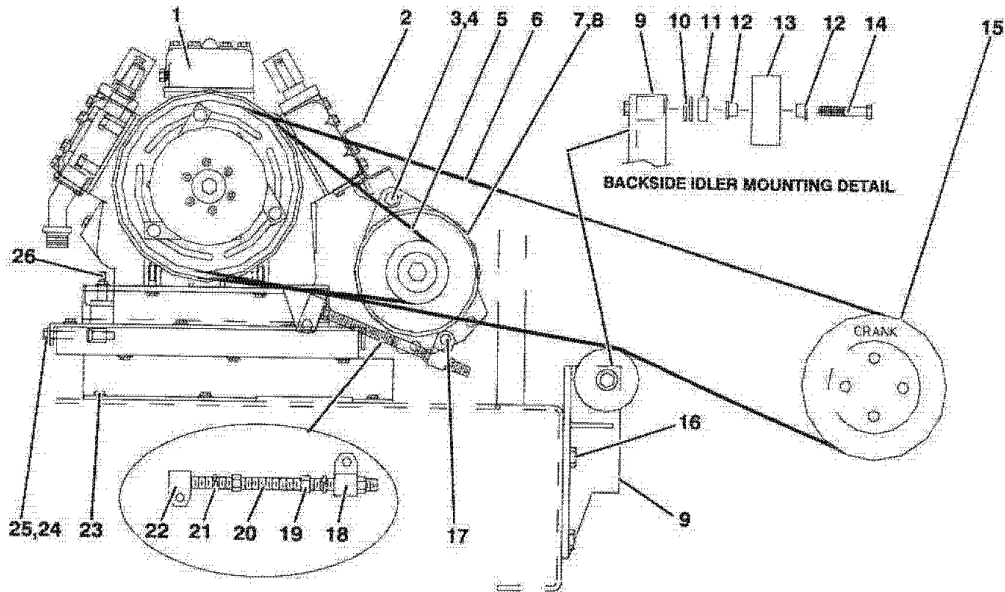
Key	PartNumber	Qty	Description	Comment
1	4755804		COMPRESSOR AIRCON CARRIER 05G	
2			ELBOW	
3	0049695		COUPLING SERVICE PORT,M15	
NI			CAP, SERVICE PORT	<i>INCLUDED WITH ITEM 3</i>
4	0049679		SWITCH,HIGH PRESSURE	<i>R-134a</i>
5		2	VALVE ASSEMBLY, SCHRADER	
6			SNUBBER ASSEMBLY	
7			VALVE ASSEMBLY, SUCTION SERVICE	
8			VALVE, SUCTION SERVICE 1-3/8 ODF	<i>INCLUDED W/ASSEMBLY)</i>
9			GASKET, SUCTION SERVICE	<i>(INCLUDED W/VALVE)(VALVE TO COMP)</i>
10			CAP, SERVICE VALVE, PLASTIC	<i>INCLUDED W/VALVE</i>
NI			PAD, BLANK-OFF 4 BOLT	<i>FOR COVERING OPENING WHEN VALVE IS REMOVED</i>
11			ELBOW	
12	0049694		COUPLING SERVICE PORT,M13	<i>R-134a</i>
NS			CAP, SERVICE PORT	
13			NUT, LOCK, SPECIAL	
14			KEY, CRANKSHAFT	
15			WASHER, LOCK, 3/8 SPRING	
16			SCREW, HEX HEAD CAP	
17			WASHER (SPECIAL), 7/16 ID	
18	0049685		CLUTCH ASSY.,COMPRESSOR	
19			COIL, 24 VDC	<i>INCLUDED WITH ASSEMBLY</i>
20			ROTOR & ARMATURE ASSY	<i>INCLUDED WITH ASSEMBLY</i>

**Models: L4RE
AIR CONDITIONING
COMPRESSOR ASSEMBLY**

Key	PartNumber	Qty	Description	Comment
NI			BEARING	<i>INCLUDED W/KEY NUMBER 20</i>
NI			RING, RETAINER	<i>INCLUDED W/KEY NUMBER 20</i>
21			FITTING, ORS	<i>SUCTION SERVICE VALVE</i>
22			O-RING	<i>SUCTION ADAPTER FITTING</i>
23		2	COIL, UNLOADER, 24 VDC	
24		2	VALVE ASSEMBLY, ELECTRIC UNLOADER	<i>WITHOUT COIL</i>
25		2	CONNECTOR, STRAIGHT, 2-SCREW	
26		2	SLEEVE	
27		2	CONNECTOR, FEMALE, 2-PIN	
28			SWITCH, LOW PRESSURE	<i>(LPS) (R-22 AND R_134a)</i>
29			ELBOW, ADAPTER, 1/4 FPT X 7/16 UNC	
30			VALVE ASSEMBLY, DISCHARGE SERVICE	
31			VALVE, DISCHARGE SERVICE, 7/8 ODF	<i>INCLUDED IN ASSEMBLY)</i>
10			CAP, SERVICE VALVE, PLASTIC	<i>INCLUDED W/ KEY NUMBER 30)</i>
32			GASKET, DISCHARGE SERVICE VALVE	<i>(TO COMP) (INCL W/KEY 30)</i>
NI			PAD, BLANK-OFF, 2 BOLT	<i>FOR COVERING OPG WHEN VALVE IS REMOVED)</i>
33	0049686		FITTING,DISCHARGE ADAPTER	<i>DISCHARGE SERVICE VALVE)</i>
34	0049682		O-RING,DISCHARGE ADAPTER (PACK OF 5)	<i>DISCHARGE ADAPTER FITTING</i>
35			CONNECTOR, MALE, 2-PIN	
36			BRACKET, CLUTCH WIRE SUPPORT	
37			PLUG	<i>WITH O-RING</i>

Models: **L4RE**
AIR CONDITIONING
COMPRESSOR INSTALLATION

Key	PartNumber	Qty	Description	Comment
-----	------------	-----	-------------	---------



**Models: L4RE
AIR CONDITIONING
COMPRESSOR INSTALLATION**

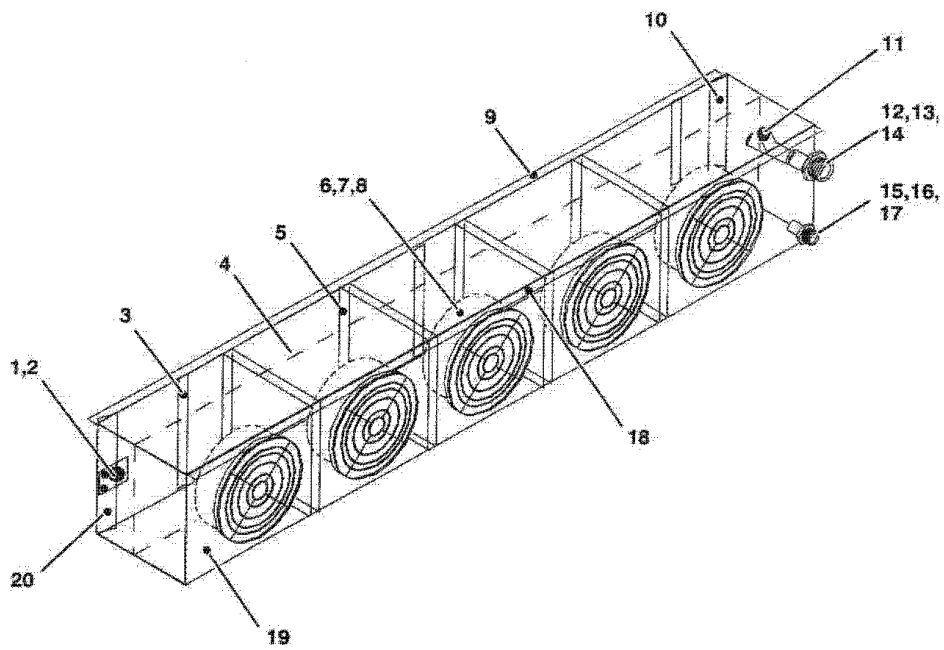
Key	PartNumber	Qty	Description	Comment
1	4755804		COMPRESSOR AIRCON CARRIER 05G	
2			WELDMENT, ALTERNATOR MOUNTING	
3			BOLT, 1/2-13 X 6-1/2	
4			LOCK NUT, 1/2-13 WITH FLAT WASHERS	
5	4758730	2	BELT DRIVE ALTERNATOR	
6	4758727		BELT DRIVE COMPRESSOR	
7	4758720		ALTERNATOR,A/C,55 AMP,PRESTOLITE,24-VOLT	
8	4758729		PULLEY ALTERNATOR 90 OD X 2SPA	
9	4758726		BRACKET TOP TENSIONER	
10			WASHER, FLAT, 7/16	
11			SPACER, 1/2	
12		2	BUSHING, IDLER	
13	0064354		DOOR,ASSY,ENGINE ACCESS,RH,M4RE	
14			BOLT, 7/16-14 X 4-1/2	
15			KIT, PULLEY	
16		2	BOLT, 5/8-11 X 1-3/4 WITH LOCK WASHER AND	
17			BOLT, 1/2-13 X 1-3/4 WITH LOCK WASHER	
NI			SPACER, 3/8	
18			OFFSET, LONG SLIDE	
19		3	NUT, 1/2-13	
20	4758731		BAR TENSIONING ALTERNATOR	
21		2	WASHER, 1/2, SPRING LOCK	
22	4758725		TENSIONER PNEUMATIC	

Models: **L4RE**
AIR CONDITIONING
COMPRESSOR INSTALLATION

Key	PartNumber	Qty	Description	Comment
23		6	WASHER, FLAT, 7/16	
24			BOLT	<i>PAINTED</i>
25			BAR	
26			BOLT, 7/16-14 X 2-3/4 WITH LOCKNUT AND	
27		2	BOLT, 3/8-18 X 1-1/4 WITH LOCKNUT AND FLAT	
28			BRACKET, COMPRESSOR SUPPORT	
29		2	MOUNT, RUBBER	
30			BASE, COMPRESSOR SLIDE	
31		2	SPACER	
32			PLATE, WELDMENT SLIDE	
33			BASE, SLIDE	
34		12	BOLT, 1/2-20 X 1-1/4 WITH NUT, FLAT WASHER	
35		6	LOCKNUT, 7/16-14	
36		2	BOLT, 3/8-16 X 1 WITH FLAT WASHER AND	
37			BRACKET, TENSION	
38		2	BOLT, 3/8-16 X 2 WITH LOCKNUT AND FLAT	

Models: L4RE
 AIR CONDITIONING
 CONDENSER ASSEMBLY CM-5

Key	PartNumber	Qty	Description	Comment
-----	------------	-----	-------------	---------



**Models: L4RE
AIR CONDITIONING
CONDENSER ASSEMBLY CM-5**

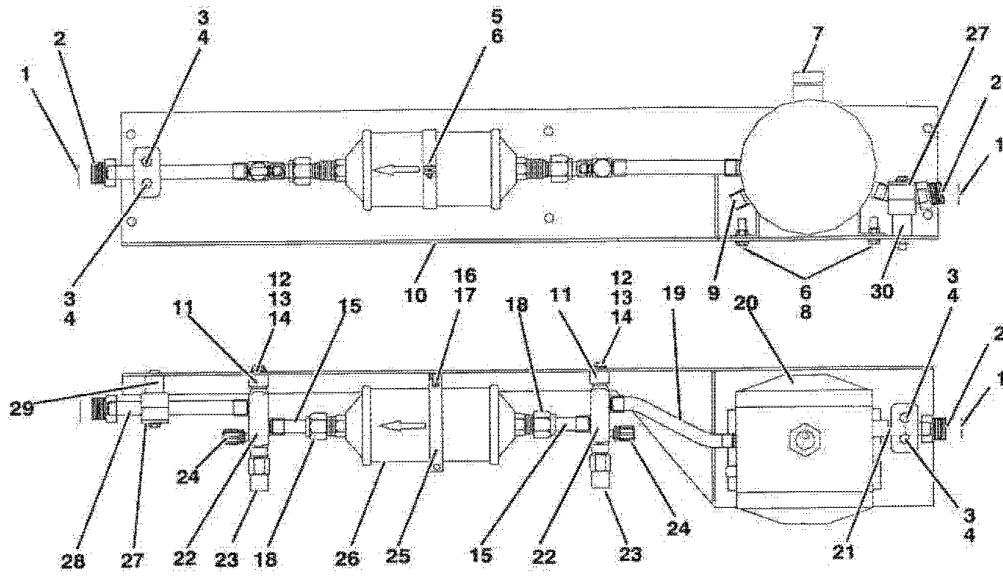
Key	PartNumber	Qty	Description	Comment
1			BRACKET, SWITCH	
2			SWITCH, TEMPERATURE, LOW AMBIENT	
3		3	PLATE, MOUNTING	
4			COIL ASSEMBLY, CONDENSER	
5		4	BAFFLE, CM-5	
6		5	FAN ASSEMBLY, 24 VDC	
7		5	FAN GUARD, CONDENSER	
8		5	HARNES, CONDENSER FAN MOTOR, 24 VDC	
NI		5	BUSHING, FAN, NYLON	
NI		5	WASHER, BUSHING, FAN, NYLON	
9			ANGLE, MOUNTING (CM-5)	
NI		3	GRILLE, CONDENSER, LOCATED ON BUS SKIRT	
10			PANEL, SIDE, RIGHT	
11	0049653		CHECK VAVE,DISCHARGE LINE	
12	0049686		FITTING,DISCHARGE ADAPTER	-16
13			BRACKET TUBE, CM-5	
14			CLAMP, STAUFF, 7/8	
15			FITTING, ORS (-10), 5/8 TUBE X 1.12	
16			BRACKET, TUBE, LIQUID (CM-5)	
17			CLAMP, STAUFF, 5/8	
18			ANGLE, MOUNTING (CM-5)	
19			PANEL, BOTTOM	
20			PANEL, SIDE, LEFT	

**Models: L4RE
AIR CONDITIONING
CONDENSER ASSEMBLY CM-5**

Key	PartNumber	Qty	Description	Comment
NI		10	BOLT, HEX HEAD, 3/8-16 X 1-1/4	<i>FOR MOUNTING CONDENSER ASSEMBLY</i>
NI		10	WASHER, FLAT, 3/8 PLATED	<i>FOR MOUNTING CONDENSER ASSEMBLY</i>
NI		10	NUT, HEX, LOCK, 3/8-16, PLATED	<i>FOR MOUNTING CONDENSER ASSEMBLY</i>

Models: **L4RE**
AIR CONDITIONING
DRIER ASSEMBLY COMPONENTS

Key	PartNumber	Qty	Description	Comment
-----	------------	-----	-------------	---------



**Models: L4RE
AIR CONDITIONING
DRIER ASSEMBLY COMPONENTS**

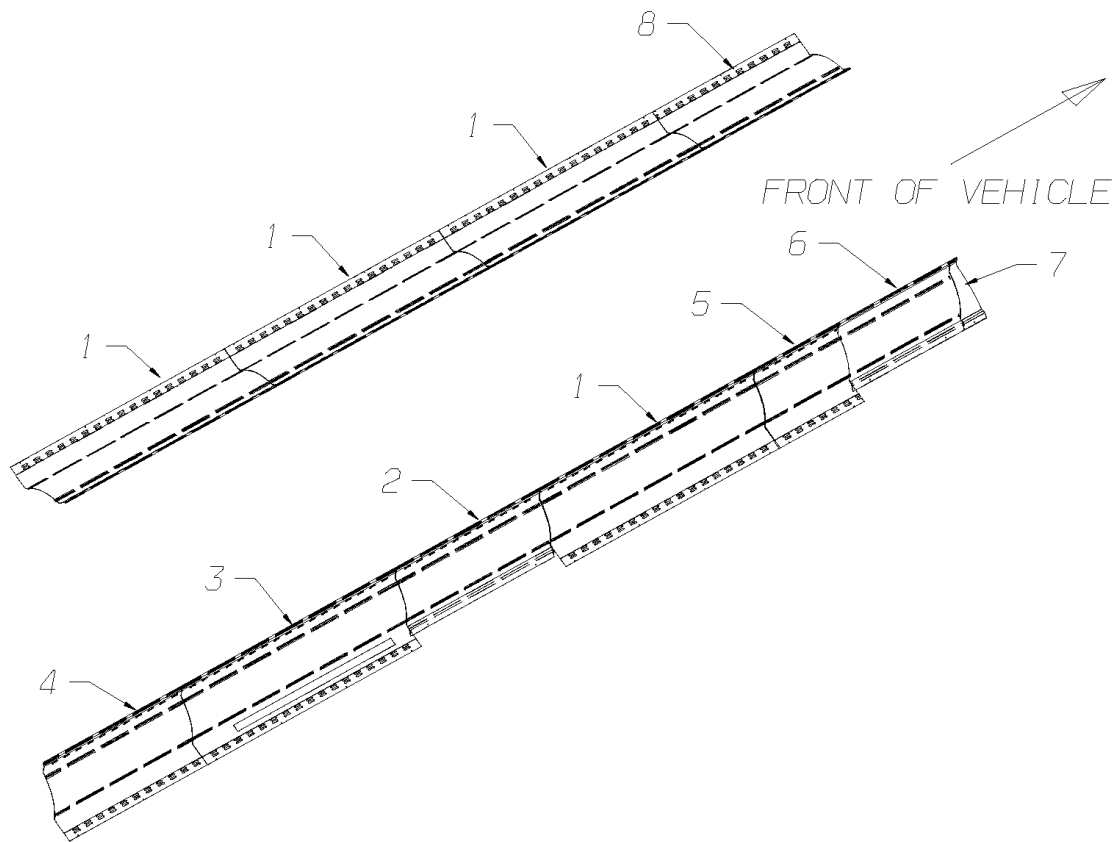
Key	PartNumber	Qty	Description	Comment
1		2	O-RING	
2		2	FITTING, ORS, -10 X 1.12, 5/8 TUBE	
3		4	BOLT, HEX HEAD, 1/4-20 X 2-3/4, SST	
4		2	WASHER, SPLIT LOCK, 1/4 SST	
5			BOLT, HEX HEAD, 5/16-18 X 1/2, SST	
6		5	NUT, HEX LOCK, 5/16-18, SST	
7	0049703		INDICATOR,MOISTURE/LIQUID	
8		4	BOLT, HEX HEAD, 5/16-18 X 1, SST	
9			PLUG, FUSIBLE	
10			WELDMENT, MOUNT PLATE, DRIER	
11		2	SPACER, 7/8 X 1/2 X 9/16	
12		6	WASHER, SPLIT LOCK, 5/16, PLATED	
13		2	BOLT, HEX HEAD, 5/16-24 X 1-1/4	
14		8	WASHER, FLAT, 5/16, SST	
15		2	TUBE, LIQUID, 5/8 OD	
16			WASHER, FLAT, 1/4, SST	
17			NUT, HEX, LOCK 1/4-20, PLATED	
18		2	NUT, FLARE, 5/8, BRASS	
19			TUBE, COPPER, 5/8 OD	<i>DRIER ASSEMBLY</i>
20			RECEIVER	
21			TUBE, 5/8 OD, DRIER ASSEMBLY	
22	0049646	2	INLET VALVE,FILTER DRIER	<i>INCLUDES ITEM 23 & 24</i>
23		2	CAP, VALVE STEM	

**Models: L4RE
AIR CONDITIONING
DRIER ASSEMBLY COMPONENTS**

Key	PartNumber	Qty	Description	Comment
24		2	CAP, SERVICE PORT	<i>R-134a</i>
25			CLAMP, CONDUIT, 3-INCH, SST	
26			DRIER, FILTER	<i>R-134a</i>
27		2	CLAMP, STAUFF, 5/8	
28			TUBE, 5/8 OD	
29		2	SPACER, 7/8 X 1/2 X 1	
30		2	SPACER, 7/8 X 1/2 X 15/16	

Models: L4RE
AIR CONDITIONING
DUCTING
30 FOOT
With: FEATURE 31061-04

Key	PartNumber	Qty	Description	Comment
-----	------------	-----	-------------	---------

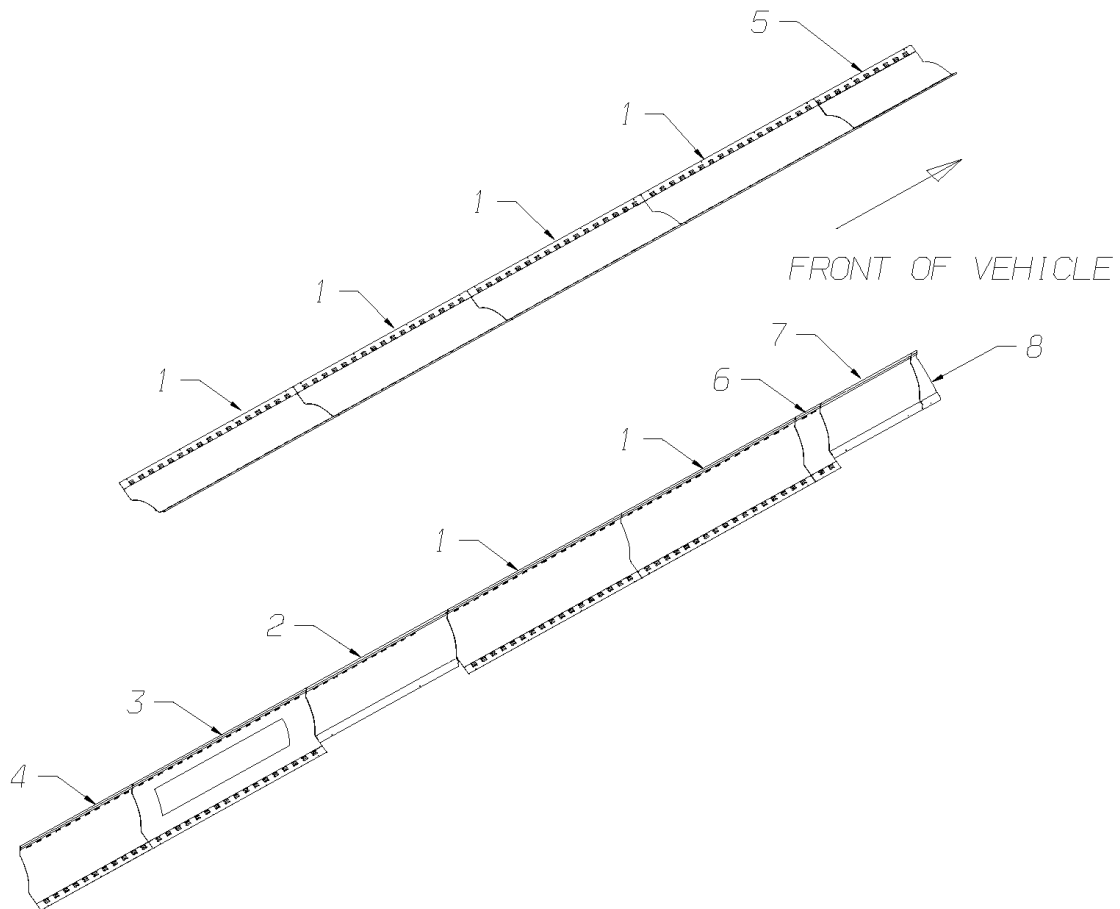


Models: L4RE
AIR CONDITIONING
DUCTING
30 FOOT
With: FEATURE 31061-04

Key	PartNumber	Qty	Description	Comment
	0065710		KIT,INT,PRETORIA DUCT,30 FT,2 DR,BODE,	<i>CONSISTS OF THE FOLLOWING</i>
1	0067953	4	DUCT,PANEL ASSY,72.00, L4RE	
2	0067960		DUCT,PANEL ASSY,48.25 BODE,EXIT DOOR,	
3	0067959		DUCT,PANEL ASSY,72.00 W/ACCESS, L4RE	
4	0067958		DUCT,PANEL ASSY,46.38, L4RE	
5	0067961		DUCT,PANEL ASSY,28.18, L4RE	
6	0067962		DUCT,PANEL ASSY,37.44 BODE,ENTRANCE	
7	0067963		DUCT,PANEL,7.32 CLOSEOUT,BODE, L4RE	
8	0067957		DUCT,PANEL ASSY,47.68, L4RE	

Models: L4RE
AIR CONDITIONING
DUCTING
35 FOOT 2 DOOR
With: FEATURE 31061-05

Key	PartNumber	Qty	Description	Comment
-----	------------	-----	-------------	---------




Models: L4RE
AIR CONDITIONING
DUCTING
35 FOOT 2 DOOR
With: FEATURE 31061-05

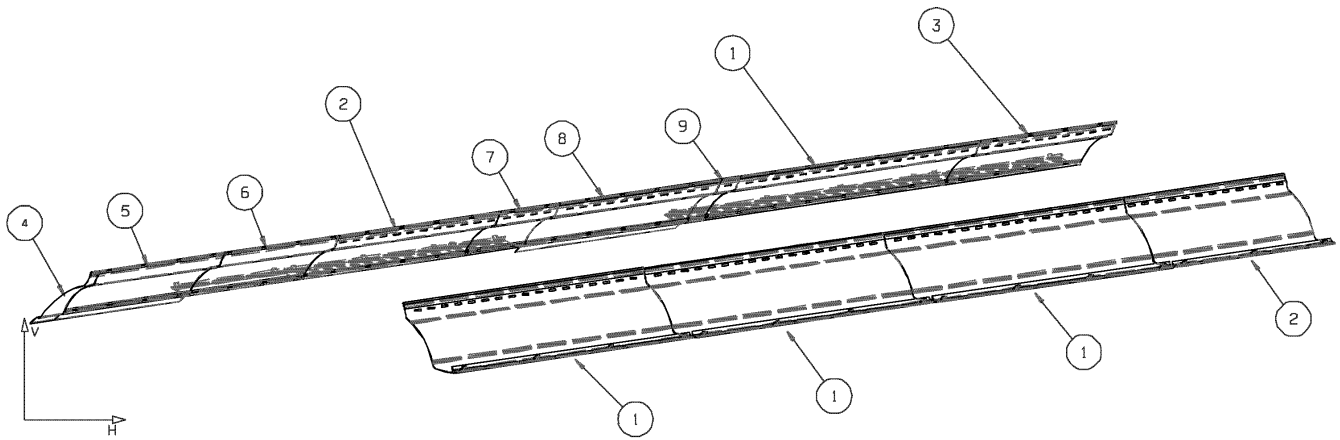
Key	PartNumber	Qty	Description	Comment
	0065711		KIT,INT,PRETORIA DUCT,35 FT,2 DR,BODE,	<i>CONSISTS OF THE FOLLOWING</i>
1	0067953	6	DUCT,PANEL ASSY,72.00, L4RE	
2	0068166		DUCT,PANEL ASSY,58.50 35FT,EXIT DR, L4RE	
3	0067959		DUCT,PANEL ASSY,72.00 W/ACCESS, L4RE	
4	0067958		DUCT,PANEL ASSY,46.38, L4RE	
5	0068165		DUCT,PANEL ASSY,40.13, L4RE	
6	0068167		DUCT,PANEL ASSY,10.38, L4RE	
7	0067962		DUCT,PANEL ASSY,37.44 BODE,ENTRANCE	
8	0067963		DUCT,PANEL,7.32 CLOSEOUT,BODE, L4RE	

Models: L4RE
**AIR CONDITIONING
 DUCTING
 FOR 30 FOOT**

Key	PartNumber	Qty	Description	Comment
-----	------------	-----	-------------	---------

DR. 01/29/03	BY TB	4759612	C	
APP.	BY FRT	REV		

© BLUE BIRD BODY COMPANY. ALL RIGHTS RESERVED



Models: L4RE
AIR CONDITIONING
DUCTING
FOR 30 FOOT


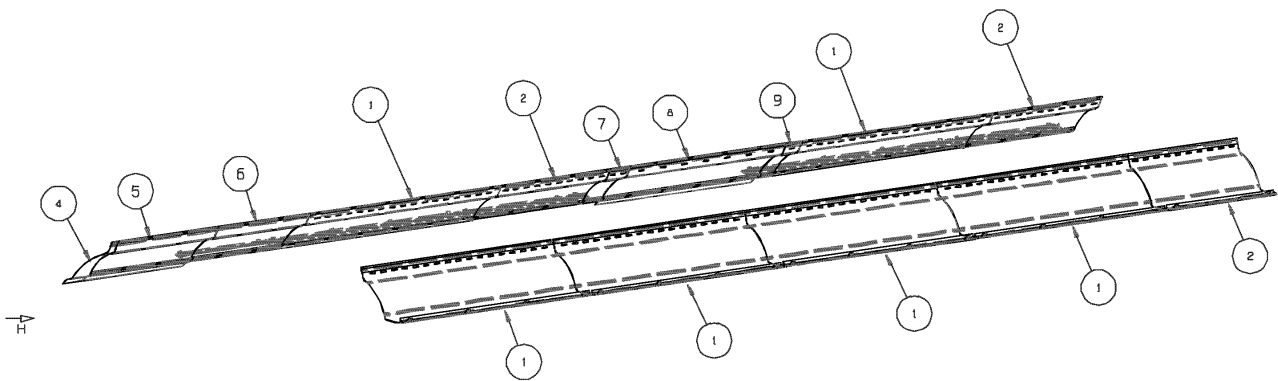
Key	PartNumber	Qty	Description	Comment
1	4759633	4	DUCT PANEL ASSY 72 LG	
2	4759634	2	DUCT PANEL ASSY 48.1 LG	
3	4759635		DUCT PANEL ASSY 40.7 LG	
4	4759639		DUCT PANEL ASSY FRONT RH	
5	4759636		DUCT DOOR ASSY ENT DOOR	
6	4759712		DUCT PANEL ASSY, 34.2 LG	
7	4759713		DUCT PANEL ASSY, 19.5 LG	
8	4759637		DUCT DOOR ASSY, EXIT DOOR 30FT	
9	4759715		DUCT PANEL ASSY, 6.7 LG	

**Models: L4RE
AIR CONDITIONING
DUCTING
FOR 35 FOOT 2 DOOR**

Key	PartNumber	Qty	Description	Comment
-----	------------	-----	-------------	---------

DR. 01/29/03 BY TB	4759613	C
APP. BY FRT	REV	

© BLUE BIRD BODY COMPANY. ALL RIGHTS RESERVED

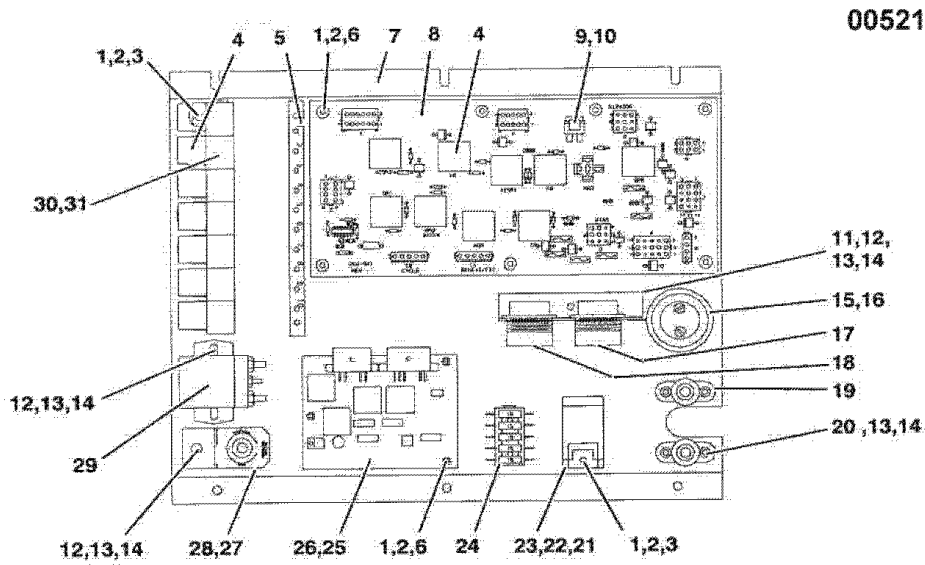



Models: L4RE
AIR CONDITIONING
DUCTING
FOR 35 FOOT 2 DOOR

Key	PartNumber	Qty	Description	Comment
1	4759633	3	DUCT PANEL ASSY 72 LG	
2	4759635		DUCT PANEL ASSY 40.7 LG	
4	4759639		DUCT PANEL ASSY FRONT RH	
5	4759636	2	DUCT DOOR ASSY ENT DOOR	
6	4759712		DUCT PANEL ASSY, 34.2 LG	
7	4759714	2	DUCT PANEL ASSY, 9.2 LG	
8	4759638		DUCT DOOR ASSY, EXIT DOOR 35FT	
9	4759715		DUCT PANEL ASSY, 6.7 LG	

Models: **L4RE**
AIR CONDITIONING
ELECTRICAL CONTROL PANEL

Key	PartNumber	Qty	Description	Comment
-----	------------	-----	-------------	---------



0052184

Models: L4RE
AIR CONDITIONING
ELECTRICAL CONTROL PANEL

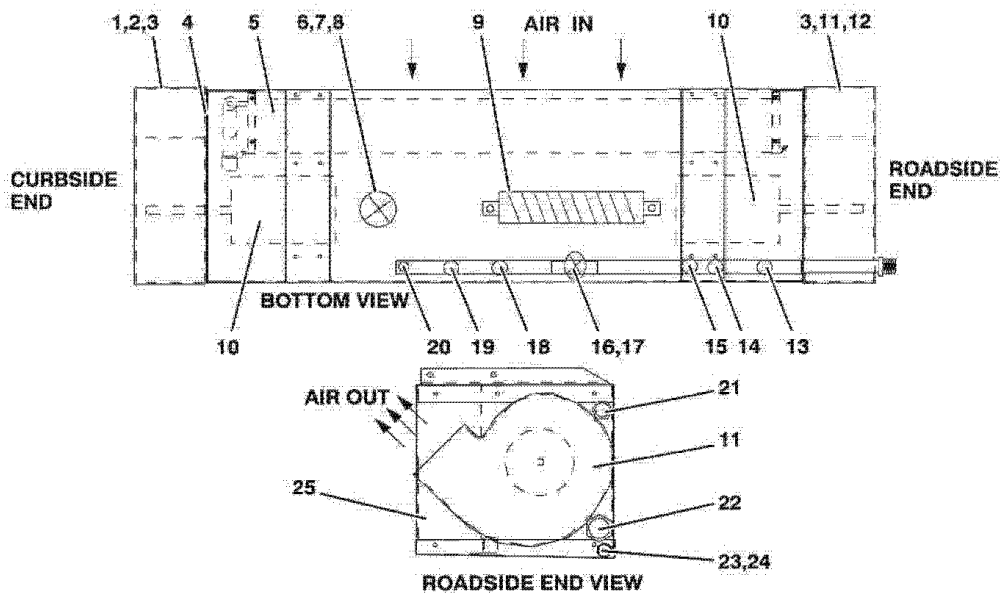
Key	PartNumber	Qty	Description	Comment
1		10	WASHER, SPLIT LOCK #8 SST	
2		8	WASHER, FLAT, #8 SST	
3		8	SCREW, PAN HEAD, SLOTTED, #8-32 X 1/2	
4		20	RELAY 10/20 AMP, 24 VDC	
5			TERMINAL BOARD, 10-POSITION	
6		10	SCREW, HEX HEAD, SLOTTED, 1/4-#08-32 X 1,	
7			PANEL, CONTROL	
8			RELAY BOARD, FUSED	
9		6	FUSE, 15-AMP	
10			CLIP, FUSE	
11			BRACKET, CONNECTORS	
12		16	BOLT, HEX HEAD, 1/4-20 X 1/2, SST	
13		16	WASHER, S;LIT LOCK, 1/4, SST	
14		8	WASHER, FLAT, 1/4, SST	
15			CAPACITOR, 50 VDC	
16			CLAMP, INSULATED, 1-7/8	
17			CONNECTOR, ELECTRICAL WITH MALE SOCKET 6 PIN FEMALE	
18			CONNECTOR ELECTRICAL, WITH FEMALE SOCKET 6 PIN, MALE	
NI			CONNECTOR, 16-PIN PLUG	ON OTHER END OF HARNESS

Models: L4RE
**AIR CONDITIONING
 ELECTRICAL CONTROL PANEL**

Key	PartNumber	Qty	Description	Comment
19		2	STUD - TYPE JUNCTION BLOCK	
20		4	SCREW, PAN HEAD, PHILLIPS, #8-32 X 1/2,	
21		3	FUSE HOLDER	
22		2	FUSE, 40-AMP	FUSE HOLDER
23			FUSE, 60-AMP	FUSE HOLDER
24			FUSE HOLDER 5PC	
25			CONTROLLER, TEMPERATURE, 4-RELAY, W/O	
26			PROBE, RETURN AIR	
27			TEMPERATURE SELECTOR	
28			KNOB, TEMPERATURE SELECTOR	
29			SOLENOID, NORMALLY OPEN	
30		7	CONNECTOR, RELAY SOCKET	
31		7	LOCK, PACKARD CONNECTOR	

Models: **L4RE**
AIR CONDITIONING
EVAPORATOR ASSEMBLY EM-17

Key	PartNumber	Qty	Description	Comment
-----	------------	-----	-------------	---------



Models: L4RE
AIR CONDITIONING
EVAPORATOR ASSEMBLY EM-17

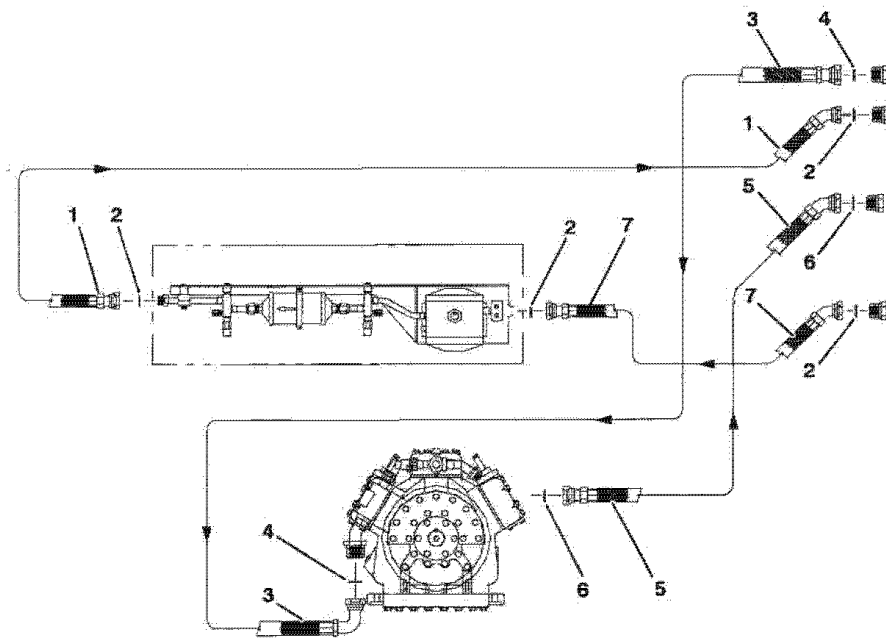
Key	PartNumber	Qty	Description	Comment
1			BLOWER HOUSING, INSULATED, RIGHT	<i>CURBSIDE</i>
2			BLOWER WHEEL, RIGHT	<i>CURBSIDE</i>
3		2	VENTURI RING	
4			PANEL, RIGHT	<i>CURBSIDE</i>
5			COIL ASSEMBLY, EVAPORATOR	
6			BODY, FLANGE, (TXV)	
7			BRACKET, TXV MOUNTING	
8			VALVE, THERMAL EXPANSION, R-134A	
9	0049669		RESISTOR,CONDENSER FAN	<i>420-WATTS, WITH BRACKET</i>
10		2	MOTOR, EVAPORATOR (LEESON)	
11			BLOWER HOUSING, INSULATED	<i>ROADSIDE</i>
12			BLOWER WHEEL	<i>ROADSIDE</i>
13			SWITCH, PRESSURE, UPS3	
14			SWITCH, PRESSURE, CFS1	
15			SWITCH, PRESSURE, CFS2	
16			VALVE, SOLENOID, 5/7 (LESS COIL)	
			KIT, VALVE REPAIR	<i>INCLUDED WITH VALVE ITEM 16</i>
17			COIL, SOLENOID, 24 VDC	
18			SWITCH, PRESSURE	<i>(UPS1) (R-134a)</i>
19			SWITCH, PRESSURE	<i>(UPS2) (R-134a)</i>
20			EQUALIZER TUBE, TXV	
21			FITTING, ORS, -10X2.11 X 5/8	
22			FITTING, ORS, -20X1.70 X 1-1/8 TUBE	

**Models: L4RE
AIR CONDITIONING
EVAPORATOR ASSEMBLY EM-17**

Key	PartNumber	Qty	Description	Comment
23		2	KAZOO, CONDENSATE DRAIN TUBE	
24		18	HOSE, DRAIN, 1-INCH ID	
25			END PANEL, DRIVER SIDE	
NI			GRILLE, RETURN AIR	
NI		AR	GASKET, FOAM, 1-1/4 X 1-1/4	
NI	0079685		FILTER,RETURN,AIR,L4"	

Models: L4RE
 AIR CONDITIONING
 PIPING COMPONENTS

Key	PartNumber	Qty	Description	Comment
-----	------------	-----	-------------	---------



**Models: L4RE
AIR CONDITIONING
PIPING COMPONENTS**


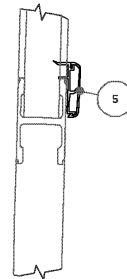
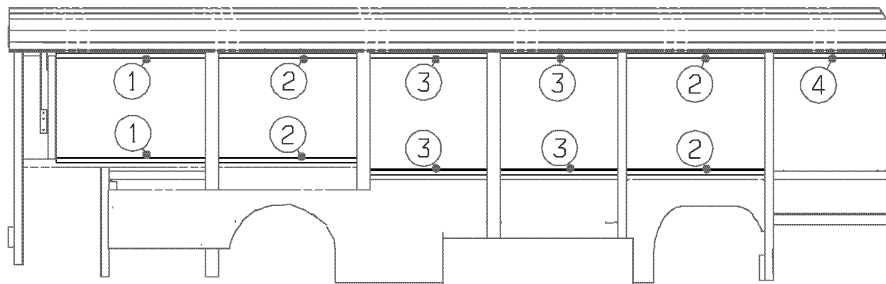
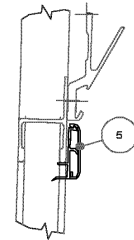
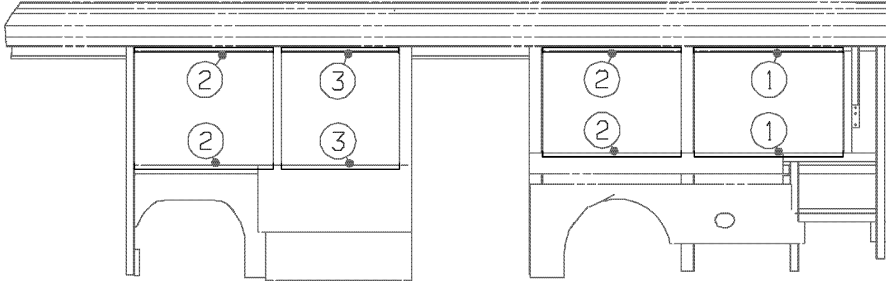
Key	PartNumber	Qty	Description	Comment
1			HOSE ASSY. (-10), REFRIG, R-134a, ORS, 45	
2		4	O-RING (ORS)	
3			HOSE ASSY. (-20), REFRIG, R-134a, ORS, STR	
4		2	O-RING (ORS)	
5			HOSE ASSY. (-16), REFRIG, R-134a, ORS, 45	
6	0049682	2	O-RING,DICHARGE ADAPTER (PACK OF 5)	ORS
7			HOSE ASSY. (-10), REFRIG, R-134a, ORS, 45	

Models: L4RE
AIR CONDITIONING
WINDOW KIT
30 FT, 2 DR

Key	PartNumber	Qty	Description	Comment
-----	------------	-----	-------------	---------

DR. 08/15/02	BY TFM			
APP.	BY	FRT	4760678	REV.

© BLUE BIRD BODY COMPANY. ALL RIGHTS RESERVED





**Models: L4RE
AIR CONDITIONING
WINDOW KIT
30 FT, 2 DR**

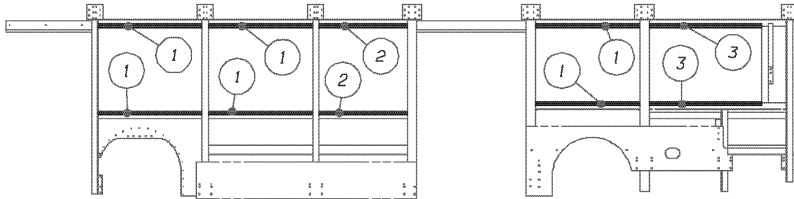
Key	PartNumber	Qty	Description	Comment
			INTERIOR WINDOW FINISHER KIT, 30FT, 2DR	
1	4760679	4	CARRIER,INT WINDOW,L1398	
2	4760681	8	CARRIER,INT WINDOW,L1298	
3	4760682	6	CARRIER,INT WINDOW,L1098	
4	4760683		CARRIER,INT WINDOW,L1048	
5	4760686	3.5	CAPPING,INT WINDOW,L8600	

Models: L4RE
AIR CONDITIONING
WINDOW KIT
35 FT, 2 DR

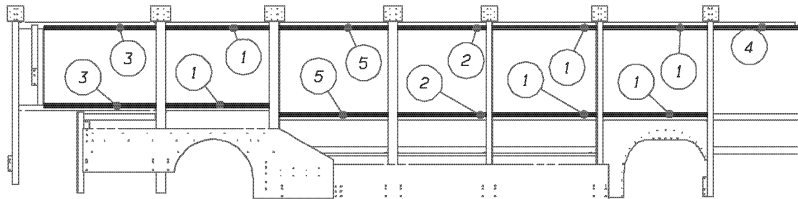
Key	PartNumber	Qty	Description	Comment
-----	------------	-----	-------------	---------

DR. 10/16/02	BY TFM	4750852	A	
APP.	BY FRT	REV	REV	

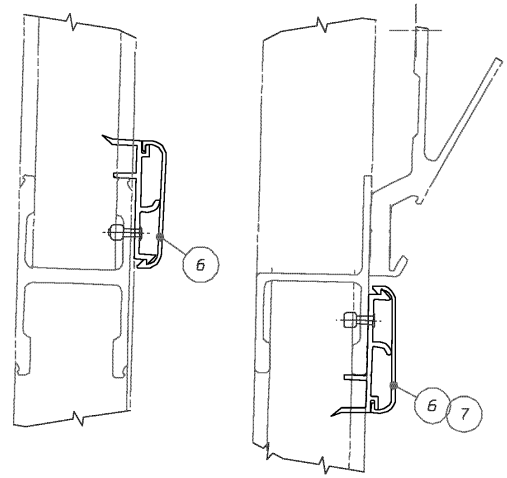
© BLUE BIRD BODY COMPANY, ALL RIGHTS RESERVED



RH SIDE - VIEWED INSIDE



LH SIDE - VIEWED INSIDE




Models: L4RE
AIR CONDITIONING
WINDOW KIT
35 FT, 2 DR

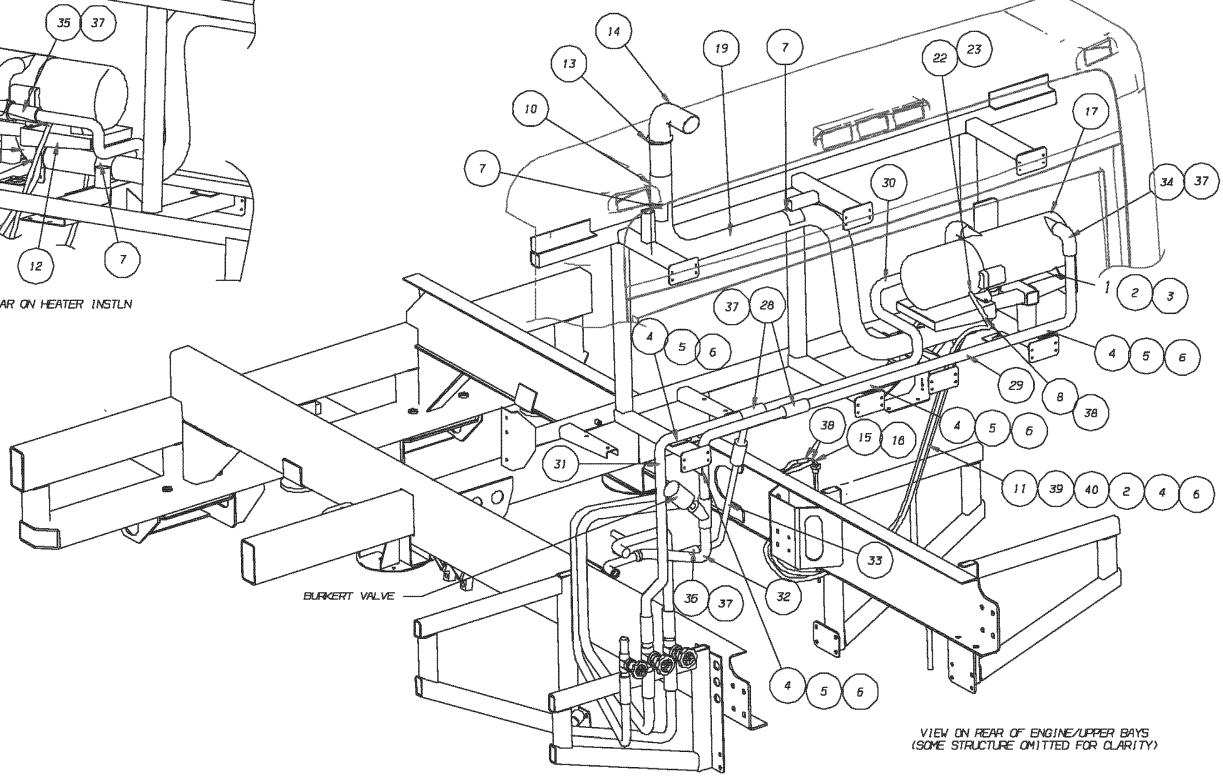
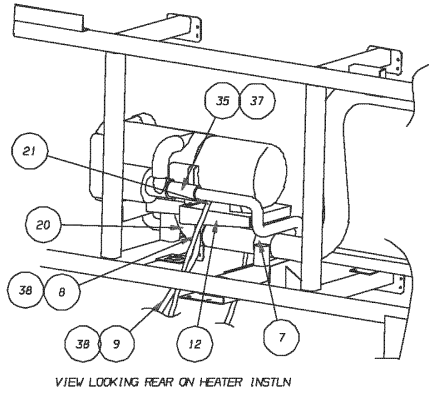
Key	PartNumber	Qty	Description	Comment
			INTERIOR WINDOW FINISHER KIT, 35FT, 2DR	
1	4760681	12	CARRIER,INT WINDOW,L1298	
2	4760682	4	CARRIER,INT WINDOW,L1098	
3	4760679	4	CARRIER,INT WINDOW,L1398	
4	4760683		CARRIER,INT WINDOW,L1048	
5	4760680	2	CARRIER,INT WINDOW,L1358	
6	4760686	3	CAPPING,INT WINDOW,L8600	
7	4761016		CAPPING,WINDOW,INTERIOR,L9500MM	

Models: L4RE
AUXILIARY
WEBASTO

Key	PartNumber	Qty	Description	Comment
-----	------------	-----	-------------	---------

DR. 12-17-02 BY MC	4758745	A	
APP. BY FRT	REV		

© BLUE BIRD BODY COMPANY. ALL RIGHTS RESERVED



Models: L4RE
AUXILIARY
WEBASTO

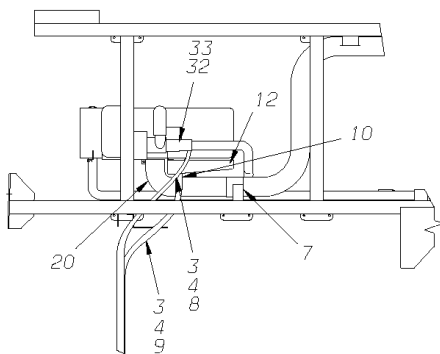
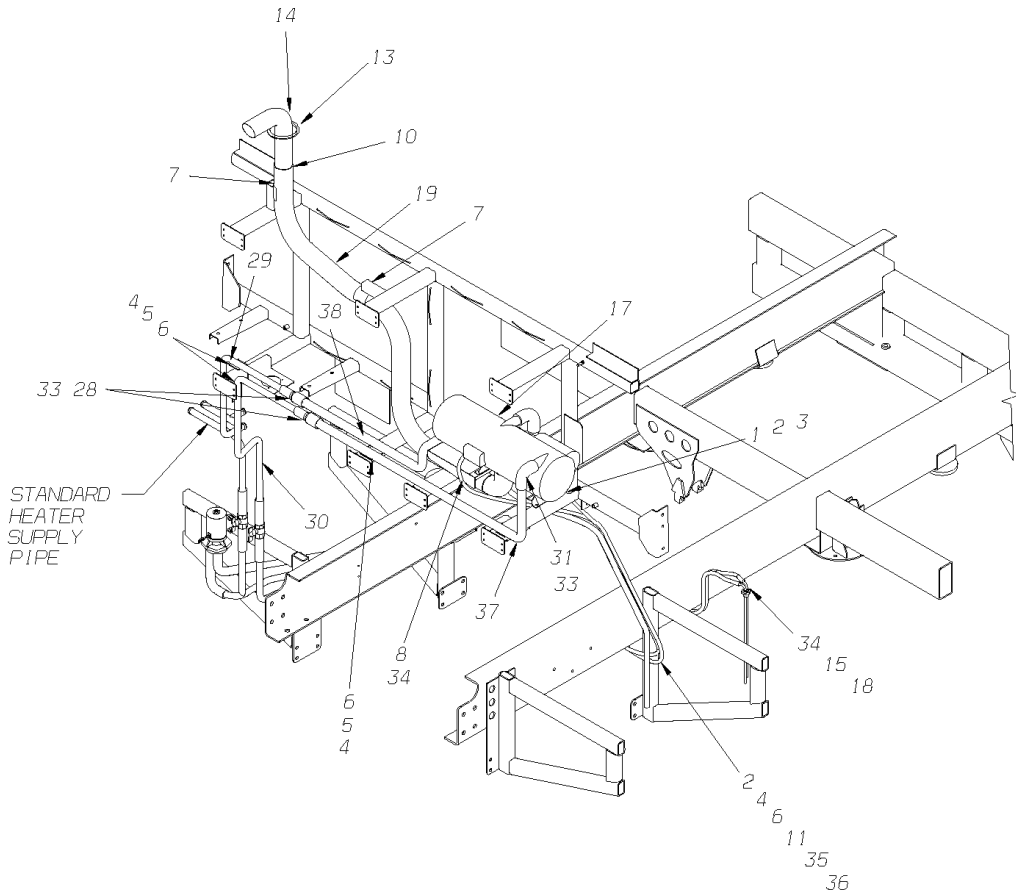
Key	PartNumber	Qty	Description	Comment
1	0971739	4	CAPSCREW,HX HD,M8-1.25X20,CL 8.8,	
2	2001048	8	WASHER,FLAT,11/32 X 11/16 X 1/16,YEL	
3	0882795	4	LOCKWASHER,SPLIT RING,3/8,MED,YELLOW	
4	0002811	9	NUT,HEX HD,5/16-18.FLG,LK,NYL INS,YEL ZN	
5	0948141	5	CLAMP,LOOP,1.312	
6	1032283	9	CAPSCREW,HEX HD,5/16-18,X,3/4,GR5,	
7	1258581	3	CLAMP,SPRING LOADED,3.25 ID,3.06-3.38	
8	1797802	AR	HOSE,.25 ID X .50 OD,W-H H00904	
9	1997810	AR	HOSE, 37ID X .62 OD, W-H, H00906	
10	1905488	2	CLAMP,CONSTANT TORQUE,2 1/4 TO 3 1/8 DIA	
11	0024126	AR	LOOM,CORRUGATED,BLACK,NYLON, .61 I.D. SS	
12	4759619		TRAY,DRIP,ASSY,PRE-HEATER	
13	4760019		GROMMET,SILICONE,BLACK,EXHAUST	
14	4761413		TAILPIPE,EXH,2.75IN 90,DEG	
15	4761470		NUT,HEX HEAD,1/2 IN NPTF,LOCKING	
16	4758746		KIT,HEATER,WEBASTO THERMO 300	CONSISTS OF THE FOLLOWING
17			THERMO 300 COMPACT HEATER	
18	4761463		TUBE ASSY,WEBASTO FUEL FEED/RETURN	
19	4761415		TUBE,EXH,FLEXI,70MM ID	
20	4761414		TUBE,EXH,90 DEG,ELBOW	
21			OLIVE 6MM HOSETAIL	
22			OLIVE NUT M14	
23			1/4 HOSE TAIL 12MM NUT	

Models: L4RE
AUXILIARY
WEBASTO

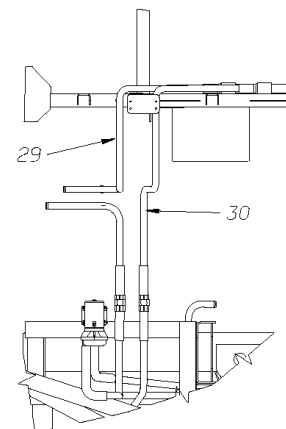
Key	PartNumber	Qty	Description	Comment
24			TIMER	
25			LOOM	
26			TIMER MOUNTING	
NI	0066121		SENSOR,TEMPERATURE,WEBASTO THERMO 300	
NI	0066132		ELECTRODE,IGNITION,WEBASTO THERMO 300	
NI	0066133		COIL,IGNITION,WEBASTO THERMO 300	
NI	0066134		VALVE,SOLENOID,WEBASTO THERMO 300	
NI	0066135		FILTER,FUEL,SPIN ON CANISTER,THERMO 300,	
NI	0066138		FAN,HEATER,WEBASTO TEHRMO 300	
27	4761417		KIT,PIPING,PRE-HEATER,WEBASTO THERMO	
28	4761013	2	HOSE,SILICONE,1-3/8 ID X 4 IN	
29	4761810		PIPE,ASSY,1-3/8 OD,PRE-HEATER RETURN	
30	4761811		PIPE,ASSY,1-3/8 OD,PRE-HEATER FEED	
31	4761812		PIPE,ASSY,1-3/8 OD,FEED,VALVE TO PRE-	
32	4761813		PIPE,ASSY,1-3/8 OD,BURKERT VALVE INSTLN	
33	4761814		PIPE,ASSY,7/8 OD,BYPASS	
34	4761820		HOSE,SILICONE,1.5 -1.375 ID,90 DEG ELBOW	
35	4761821		HOSE,SILICONE,1.5 - 1.375 ID,REDUCER	
36	4761829		HOSE,SILICONE,7/8 ID X 4 IN	
37	0016749	10	CLAMP,CONSTANT TORQUE, 1 1/16 X 2.00,	
38	1363274	5	CLAMP,HOSE,SILICON,.62.00	
39	1039486	4	CLAMP,LOOP,1.50	
40	1517168	4	CLAMP,LOOP,.937	

Models: L4RE
AUXILIARY
WEBASTO
HEATER INSTALLATION
BSN: From CSN 05/13/04

Key	PartNumber	Qty	Description	Comment
-----	------------	-----	-------------	---------



VIEW FROM REAR OF WEBASTO HEATER.



Models: L4RE
AUXILIARY
WEBASTO
HEATER INSTALLATION
BSN: From CSN 05/13/04

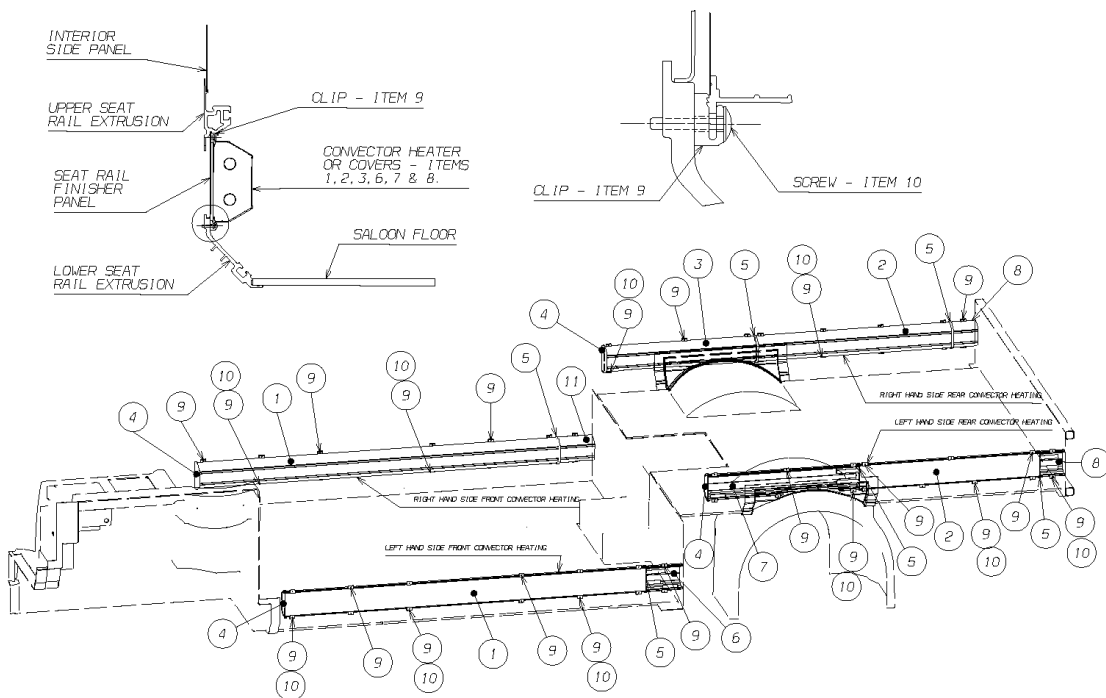
Key	PartNumber	Qty	Description	Comment
1	0971739	4	CAPSCREW,HX HD,M8-1.25X20,CL 8.8,	
2	2001048	8	WASHER,FLAT,11/32 X 11/16 X 1/16,YEL	
3	0882795	4	LOCKWASHER,SPLIT RING,3/8,MED,YELLOW	
4	0002811	9	NUT,HEX HD,5/16-18.FLG,LK,NYL INS,YEL ZN	
5	0948141	5	CLAMP,LOOP,1.312	
6	1032283	9	CAPSCREW,HEX HD,5/16-18,X,3/4,GR5,	
7	1258581	3	CLAMP,SPRING LOADED,3.25 ID,3.06-3.38	
8	1797802	AR	HOSE,.25 ID X .50 OD,W-H H00904	
9	1797810	AR	HOSE,.37 ID X .62 OD,W-H H00906	
10	0073518	2	LAYOUT,CHART,COMPARTMENTS, BBCV	
11	0024126	AR	LOOM,CORRUGATED,BLACK,NYLON, .61 I.D. SS	
12	4759619		TRAY,DRIP,ASSY,PRE-HEATER	
13	4760019		GROMMET,SILICONE,BLACK,EXHAUST	
14	4761413		TAILPIPE,EXH,2.75IN 90,DEG	
15	4761470		NUT,HEX HEAD,1/2 IN NPTF,LOCKING	
NI	0066557		TUBE ASSY,SUPPLY,GATE VALVE TO RF A/C,	CONSISTS OF THE FOLLOWING
NI	1124783	AR	CLAMP,EXHAUST,WIDE BAND,3IN	
NI	0021926	2	CLAMP,LOOP,.625	
NI	0030876	2	2 WAY SADDLE MOUNT,S2HM25	
NI	1797802	20	HOSE,.25 ID X .50 OD,W-H H00904	
NI	2027233	2	ELBOW,STREET,1/4,3400X4Z	
NI	2272862	20	LOOM,CORRUGATED,BLACK,NYLON,3/8ID,SS	
NI	4759588	2	BRACKET PIPE SUPPORT FLAT 4 SLOT	

Models: L4RE
AUXILIARY
WEBASTO
HEATER INSTALLATION
BSN: From CSN 05/13/04

Key	PartNumber	Qty	Description	Comment
16	4758746		KIT,HEATER,WEBASTO THERMO 300	<i>CONSISTS OF THE FOLLOWING</i>
17			THERMO 300 COMPACT HEATER/U4814 WATER FUEL FITTINGS KIT	
21			OLIVE 6MM HOSETAIL	
24			TIMER	
25			LOOM	
26			TIMER MOUNTING	
27	4761417		KIT,PIPING,PRE-HEATER,WEBASTO THERMO	<i>INCLUDES THE FOLLOWING</i>
28	0072985	2	HOSE,SILICONE,REDUCER 1.375 ID X 1.00 ID"	
29	0072983		TUBE,RETURN,FROM HVAC TO WEBASTO	
30	0072984		TUBE,RETURN,FROM WEBASTO TO ENGINE,	
31	4761820		HOSE,SILICONE,1.5 -1.375 ID,90 DEG ELBOW	
32	4761821		HOSE,SILICONE,1.5 - 1.375 ID,REDUCER	
33	0016749	8	CLAMP,CONSTANT TORQUE, 1 1/16 X 2.00,	
34	1363274	5	CLAMP,HOSE,SILICON,.62.00	
35	1039486	4	CLAMP,LOOP,1.50	
36	1517168	4	CLAMP,LOOP,.937	
37	4761810		PIPE,ASSY,1-3/8 OD,PRE-HEATER RETURN	
38	4761811		PIPE,ASSY,1-3/8 OD,PRE-HEATER FEED	

Models: **L4RE**
CONVECTION HEATING
30 FT, 1 DR

Key	PartNumber	Qty	Description	Comment
-----	------------	-----	-------------	---------



**Models: L4RE
CONVECTION HEATING
30 FT, 1 DR**


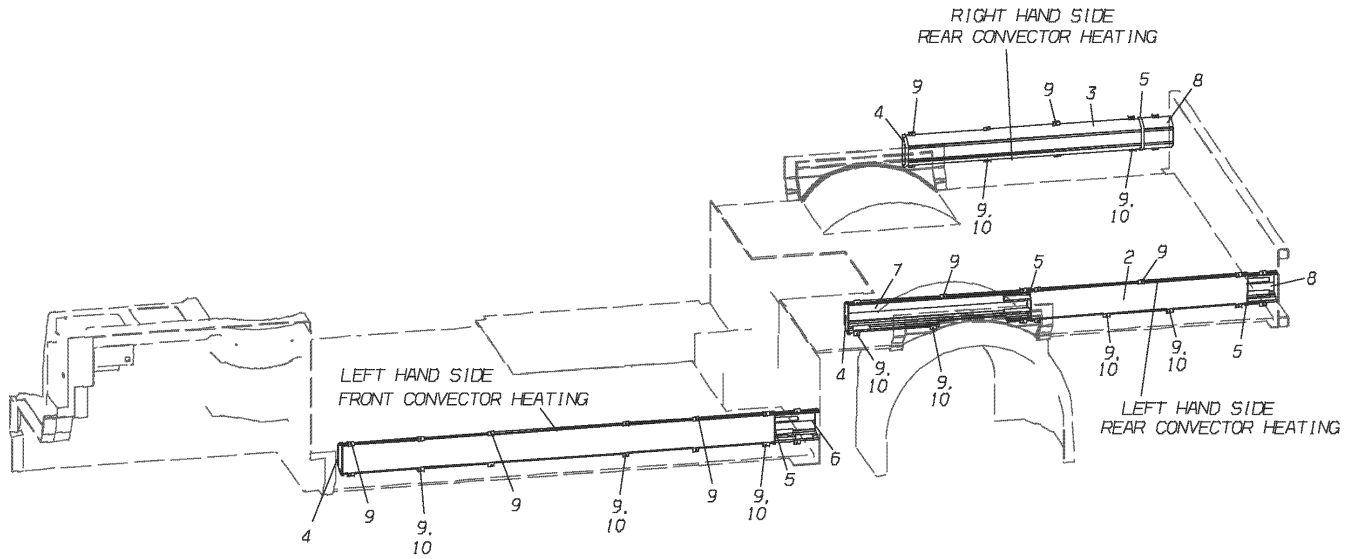
Key	PartNumber	Qty	Description	Comment
	0067470		KIT,HEATER,CONVECTION,UWE P90,30FT 1DR	<i>CONSISTS OF THE FOLLOWING</i>
1	4761345	2	HEATER,CONVECTOR,UWE P90,FRT LH,30FT	
2	4761344	2	HEATER,CONVECTOR,UWE P90,RR LH	
3	0067471		COVER,HTR,CONVECTION,UWE P90,CTR,RH,	
4	4761650	4	DIAGRAM,INSTL,PILLAR MTG BRKTS,30FT,FRT	
5	4761351	6	END CAP,OPEN,HEATER,CONVECTOR,UWE P90	
6	4761348		COVER,HEATER,CONVECTOR,UWE P90,FRT LH	
7	4761349		COVER,HEATER,CONVECTOR,UWE P90,CTR LH	
8	4761347	2	COVER,HEATER,CONVECTOR,UWE P90,RR	
9	4761352	58	CLIP,HEATER,CONVECTOR,UWE P90	
10	4761354	30	SCREW,10X1 IN,FLG HD,PH SELF TAPPING,ZK	
11	0067862		COVER,HEATER,CONVECTOR,UWE P90,FRT RH,	

Models: **L4RE**
CONVECTION HEATING
30 FT, 2 DR

Key	PartNumber	Qty	Description	Comment
-----	------------	-----	-------------	---------

DR. 10/23/02	BY TFM			
APP.	BY	FRY	4759776	B REV.

© BLUE BIRD BODY COMPANY, ALL RIGHTS RESERVED

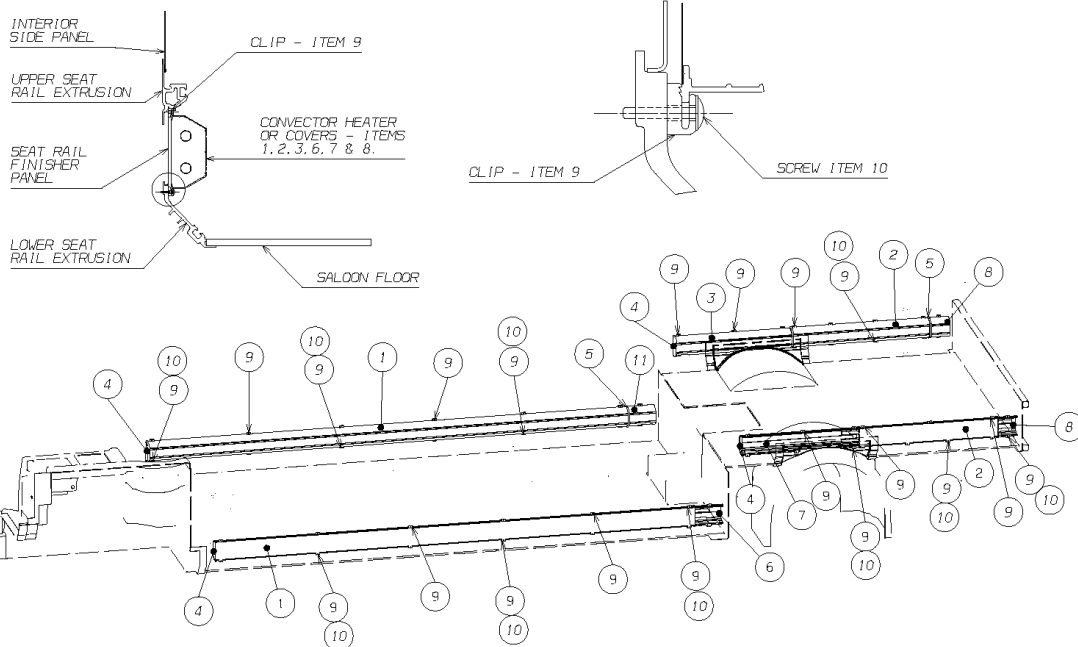



Models: L4RE
CONVECTION HEATING
30 FT, 2 DR

Key	PartNumber	Qty	Description	Comment
	4759776		KIT,COVECTOR HEATING,UWE P90,30FT 2DR	<i>CONSISTS OF THE FOLLOWING</i>
2	4761344		HEATER,CONVECTOR,UWE P90,RR LH	
3	4761343		HEATER,CONVECTOR,UWE P90,RR RH	
4	4761350	3	END CAP,CLOSED,HEATER,CONVECTOR,UWE	
5	4761351	4	END CAP,OPEN,HEATER,CONVECTOR,UWE P90	
6	4761348		COVER,HEATER,CONVECTOR,UWE P90,FRT LH	
7	4761349		COVER,HEATER,CONVECTOR,UWE P90,CTR LH	
8	4761347	2	COVER,HEATER,CONVECTOR,UWE P90,RR	
9	4761352	39	CLIP,HEATER,CONVECTOR,UWE P90	
10	4761354	20	SCREW,10X1 IN,FLG HD,PH SELF TAPPING,ZK	

Models: **L4RE**
CONVECTION HEATING
35 FT, 1 DR

Key	PartNumber	Qty	Description	Comment
-----	------------	-----	-------------	---------



**Models: L4RE
CONVECTION HEATING
35 FT, 1 DR**


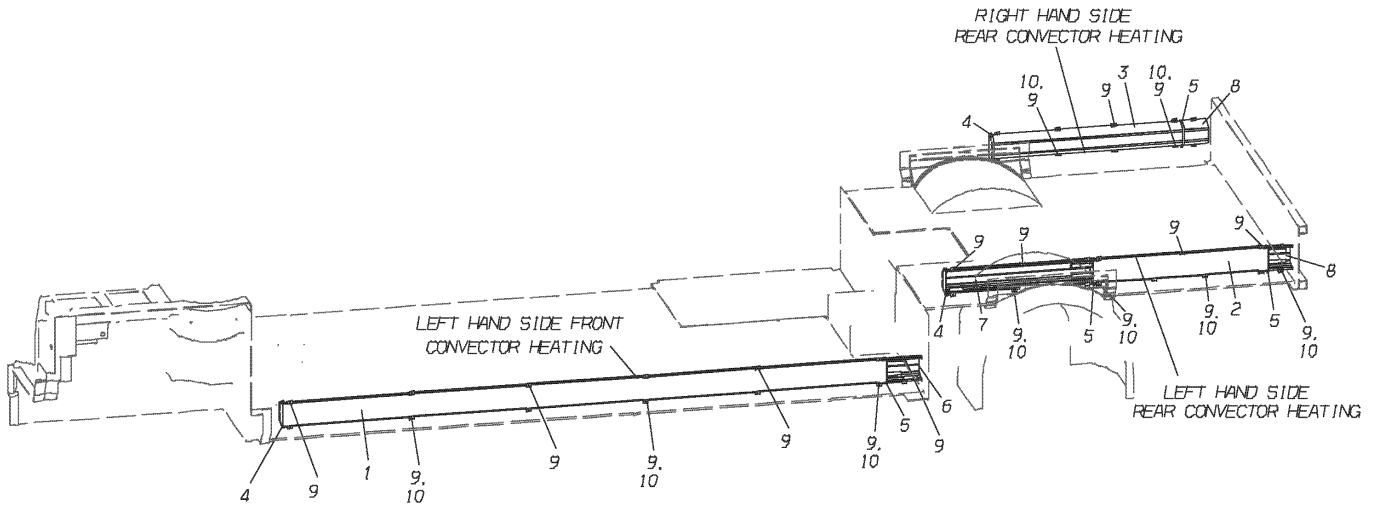
Key	PartNumber	Qty	Description	Comment
	0067472		KIT,HEATER,CONVECTION,UWE P90,35FT 1DR	<i>CONSISTS OF THE FOLLOWING</i>
1	4761346	2	HEATER,CONVECTOR,UWE P90,FRT LH,35FT	
2	4761344	2	HEATER,CONVECTOR,UWE P90,RR LH	
3	0067471		COVER,HTR,CONVECTION,UWE P90,CTR,RH,	
4	4761350	4	END CAP,CLOSED,HEATER,CONVECTOR,UWE	
5	4761351	6	END CAP,OPEN,HEATER,CONVECTOR,UWE P90	
6	4761348		COVER,HEATER,CONVECTOR,UWE P90,FRT LH	
7	4761349		COVER,HEATER,CONVECTOR,UWE P90,CTR LH	
8	4761347	2	COVER,HEATER,CONVECTOR,UWE P90,RR	
9	4761352	58	CLIP,HEATER,CONVECTOR,UWE P90	
10	4761354	30	SCREW,10X1 IN,FLG HD,PH SELF TAPPING,ZK	
11	0067862		COVER,HEATER,CONVECTOR,UWE P90,FRT RH,	

Models: **L4RE**
CONVECTION HEATING
35 FT, 2 DR

Key	PartNumber	Qty	Description	Comment
-----	------------	-----	-------------	---------

DR. 10/23/02	BY TFM			
APP.	BY	PBT	4759777	B DEY

© BLUE BIRD BODY COMPANY. ALL RIGHTS RESERVED





**Models: L4RE
CONVECTION HEATING
35 FT, 2 DR**

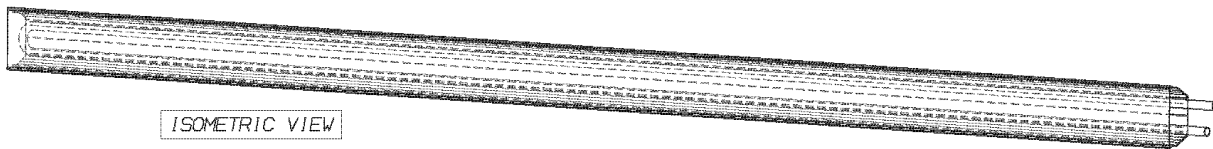
Key	PartNumber	Qty	Description	Comment
	4759777		KIT,CONVECTOR HEATING,UWE P90,35FT 2DR	<i>CONSISTS OF THE FOLLOWING</i>
1	4761346		HEATER,CONVECTOR,UWE P90,FRT LH,35FT	
2	4761344		HEATER,CONVECTOR,UWE P90,RR LH	
3	4761343		HEATER,CONVECTOR,UWE P90,RR RH	
4	4761350	3	END CAP,CLOSED,HEATER,CONVECTOR,UWE	
5	4761351	4	END CAP,OPEN,HEATER,CONVECTOR,UWE P90	
6	4761348		COVER,HEATER,CONVECTOR,UWE P90,FRT LH	
7	4761349		COVER,HEATER,CONVECTOR,UWE P90,CTR LH	
8	4761347	2	COVER,HEATER,CONVECTOR,UWE P90,RR	
9	4761352	39	CLIP,HEATER,CONVECTOR,UWE P90	
10	4761354	20	SCREW,10X1 IN,FLG HD,PH SELF TAPPING,ZK	

Models: **L4RE
CONVECTION HEATING
CONVECTOR
FRONT LH, 35 FT**

Key	PartNumber	Qty	Description	Comment
-----	------------	-----	-------------	---------

DR. 0-25-03 BY MFJ	4761345	REV	
APP. UY	FRT	REV	

© BLUE BIRD BODY COMPANY. ALL RIGHTS RESERVED




**Models: L4RE
CONVECTION HEATING
CONVECTOR
FRONT LH, 35 FT**

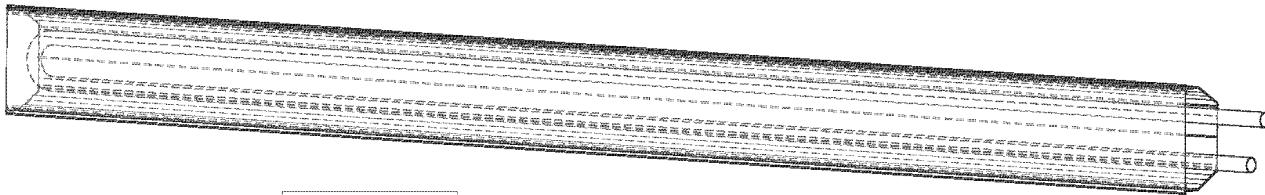
Key	PartNumber	Qty	Description	Comment
1	4761346		HEATER,CONVECTOR,UWE P90,FRT LH,35FT	

Models: **L4RE
CONVECTION HEATING
CONVECTOR
FRONT, LH, 30 FT**

Key	PartNumber	Qty	Description	Comment
-----	------------	-----	-------------	---------

DR. 8-25-03 BY MFR	4761345	
APP. BY FRT	REV	

© BLUE BIRD BODY COMPANY. ALL RIGHTS RESERVED




ISOMETRIC VIEW

**Models: L4RE
CONVECTION HEATING
CONVECTOR
FRONT, LH, 30 FT**

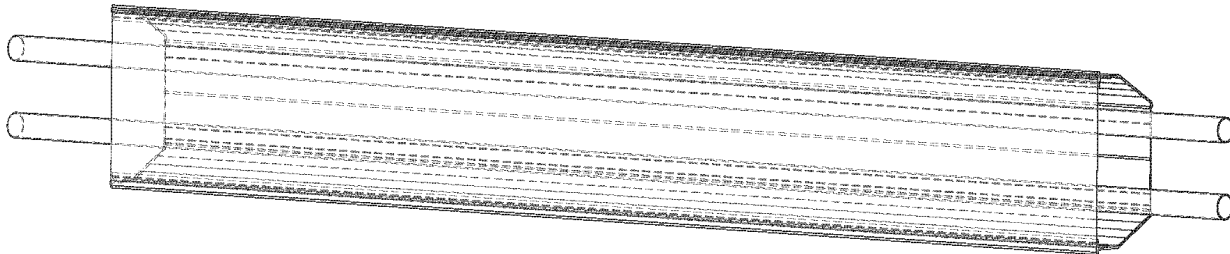
Key	PartNumber	Qty	Description	Comment
1	4761345		HEATER,CONVECTOR,UWE P90,FRT LH,30FT	

Models: **L4RE
CONVECTION HEATING
CONVECTOR
RIGHT REAR, LH**

Key	PartNumber	Qty	Description	Comment
-----	------------	-----	-------------	---------

DR. 8-25-03	BY MFR	4761344	REV	
APP.	BY	FRT	REV	

© BLUE BIRD BODY COMPANY. ALL RIGHTS RESERVED




ISOMETRIC VIEW

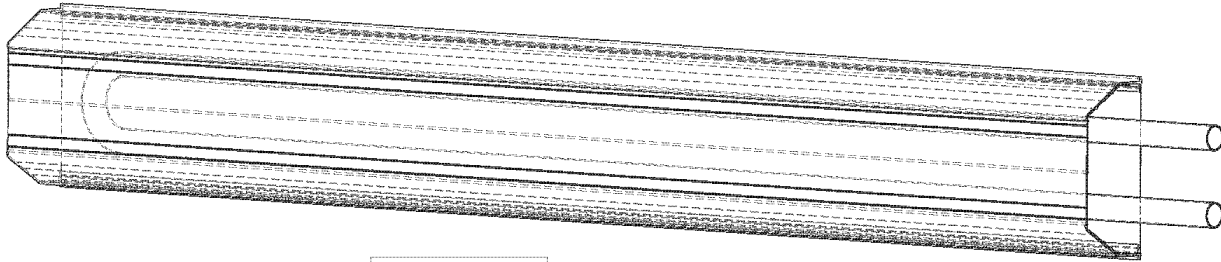
Models: L4RE
CONVECTION HEATING
CONVECTOR
RIGHT REAR, LH

Key	PartNumber	Qty	Description	Comment
	4761344		HEATER,CONVECTOR,UWE P90,RR LH	

Models: L4RE
**CONVECTION HEATING
 CONVECTOR
 RIGHT REAR, RH**

Key	PartNumber	Qty	Description	Comment
-----	------------	-----	-------------	---------

DR. B-25-03	BY	MC	4761343	REV	 <small>© BLUE BIRD BODY COMPANY. ALL RIGHTS RESERVED</small>
APP.	BY	FRY			



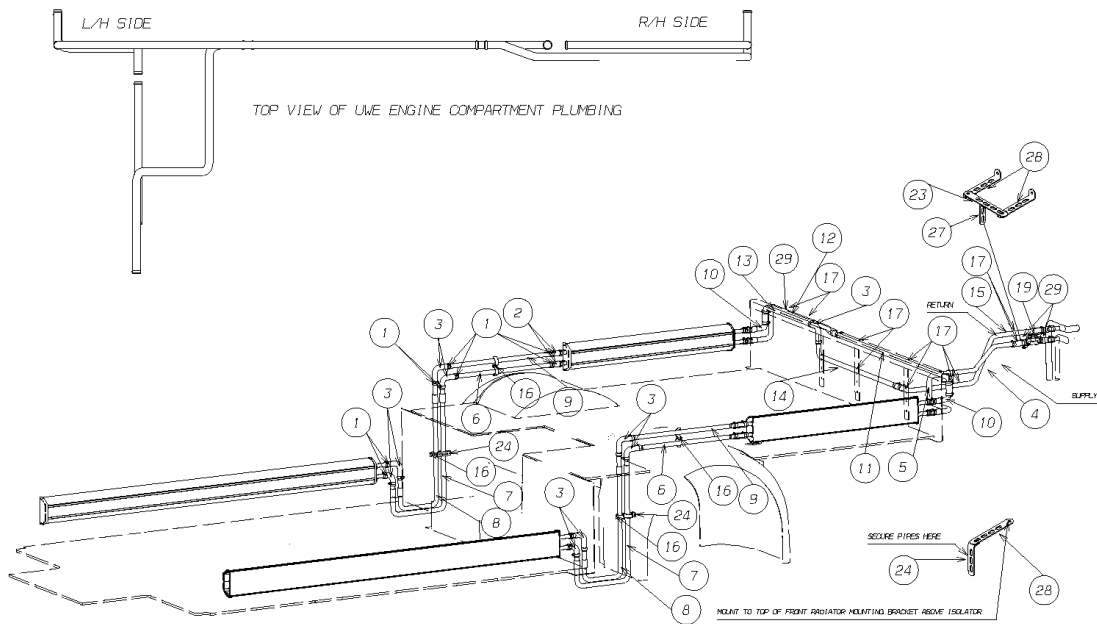
ISOMETRIC VIEW

Models: L4RE
CONVECTION HEATING
CONVECTOR
RIGHT REAR, RH

Key	PartNumber	Qty	Description	Comment
	4761343		HEATER,CONVECTOR,UWE P90,RR RH	

Models: L4RE
**CONVECTION HEATING
 INSTALLATION
 1 DOOR**

Key	PartNumber	Qty	Description	Comment
-----	------------	-----	-------------	---------



Models: L4RE
CONVECTION HEATING
INSTALLATION
1 DOOR

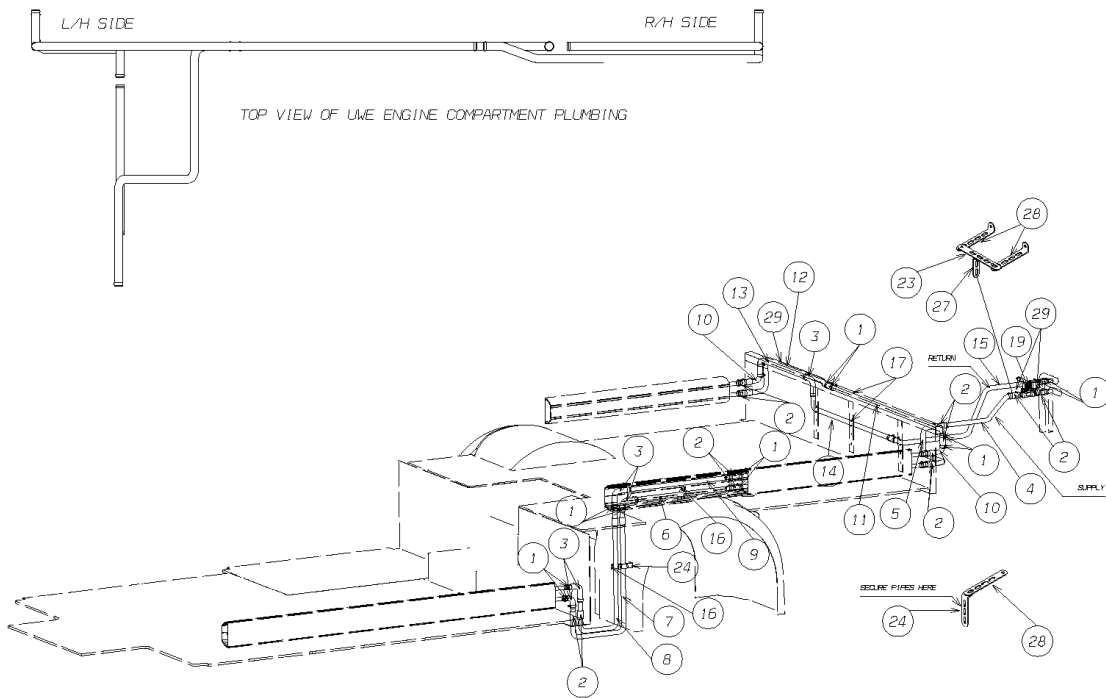
Key	PartNumber	Qty	Description	Comment
1	1894799	52	CLAMP,CONSTANT TORQUE,13/16 TO 1-1/2 DIA	
2	0066560	AR	HOSE,SILICONE,.875 ID X .155 WALL BLUE	
3	0066556	AR	HOSE,FORMED,SILICONE 1.00 X 90 DEGREE"	
4	0066807		TUBE,HTR,UWE CONV,SUPPLY,L4RE	
5	0066808		TUBE,HTR,UWE CONV,LR HTR,SUPPLY,L4RE	
6	0066809	2	TUBE,HTR,UWE CONV,LH SUPPLY,STRAIGHT,	
7	0066811	2	TUBE,HTR,UWE CONV,LF SUPPLY,J-PIPE,L4RE	
8	0066812	2	TUBE,HTR,UWE CONV,LF RETURN,J-PIPE,L4RE	
9	0066814	2	TUBE,HTR,UWE CONV,LF RETURN,STRAIGHT,	
10	0063367	2	TUBE,HTR,UWE CONV,90DEG EL,3.25 X	
11	0066816		TUBE,HTR,UWE CONV,L/S SUPPLY,RH HTR,L4RE	
12	0066817		TUBE,HTR,UWE CONV,R/S SUPPLY,RH HTR,L4RE	
13	0066818		TUBE,HTR,UWE CONV,R/S RETURN,RH HTR,	
14	0066819		TUBE,HTR,UWE CONV,L/S RETURN,RH HTR,	
15	0066820		TUBE,HTR,UWE CONV,RETURN,L4RE	
16	0601617	4	CLAMP,HEATER HOSE SUPPORT	
17	0948141	10	CLAMP,LOOP,1.312	
18	0988873	AR	INSULATION,ARMAFLEX,1-1/8 I.D. X 1/4 WALL	
19	0067301		VALVE ASSY,SOLENOID,CUTOFF,	
20	0989145	3	CAPSCREW,HEX HD,5/16-18, X, 1, ,GR5,	
21	1465954	6	NUT,HEX HD,5/16-18,LK,NYLON INSERT,YEL	
22	0868992	3	WASHER,FLAT,5/16,YEL ZN DICH	
23	4759588	2	BRACKET PIPE SUPPORT FLAT 4 SLOT	

**Models: L4RE
CONVECTION HEATING
INSTALLATION
1 DOOR**

Key	PartNumber	Qty	Description	Comment
24	4759591	4	BRACKET PIPE SUPPORT ANGLED 3 SLOT	
25	0020687	10	CLAMP,LOOP,1.75	
26	0005364		SEALANT,SIKAFLEX,221 BLACK,INDUSTRIAL	
27	4759590		BRACKET PIPE SUPPORT ANGLED 2 SLOT	
28	4759592	2	BRACKET PIPE SUPPORT ANGLED 4 SLOT	
29	0024043	AR	TIE,CLAMP,DUAL 150LB 19L X .50W	

Models: L4RE
CONVECTION HEATING
INSTALLATION
2 DOOR

Key	PartNumber	Qty	Description	Comment
-----	------------	-----	-------------	---------



**Models: L4RE
CONVECTION HEATING
INSTALLATION
2 DOOR**

Key	PartNumber	Qty	Description	Comment
1	1894799	40	CLAMP,CONSTANT TORQUE,13/16 TO 1-1/2 DIA	
2	0066560	AR	HOSE,SILICONE,.875 ID X .155 WALL BLUE	
3	0066556	5	HOSE,FORMED,SILICONE 1.00 X 90 DEGREE"	
4	0066807		TUBE,HTR,UWE CONV,SUPPLY,L4RE	
5	0066808		TUBE,HTR,UWE CONV,LR HTR,SUPPLY,L4RE	
6	0066809		TUBE,HTR,UWE CONV,LH SUPPLY,STRAIGHT,	
7	0066811		TUBE,HTR,UWE CONV,LF SUPPLY,J-PIPE,L4RE	
8	0066812		TUBE,HTR,UWE CONV,LF RETURN,J-PIPE,L4RE	
9	0066814		TUBE,HTR,UWE CONV,LF RETURN,STRAIGHT,	
10	0063367	2	TUBE,HTR,UWE CONV,90DEG EL,3.25 X	
11	0066816		TUBE,HTR,UWE CONV,L/S SUPPLY,RH HTR,L4RE	
12	0066817		TUBE,HTR,UWE CONV,R/S SUPPLY,RH HTR,L4RE	
13	0066818		TUBE,HTR,UWE CONV,R/S RETURN,RH HTR,	
14	0066819		TUBE,HTR,UWE CONV,L/S RETURN,RH HTR,	
15	0066820		TUBE,HTR,UWE CONV,RETURN,L4RE	
16	0601617	2	CLAMP,HEATER HOSE SUPPORT	
17	0948141	10	CLAMP,LOOP,1.312	
18	0988873	AR	INSULATION,ARMAFLEX,1-1/8 I.D. X 1/4 WALL	
19	0067301		VALVE ASSY,SOLENOID,CUTOFF,	
20	0989145	3	CAPSCREW,HEX HD,5/16-18, X, 1, ,GR5,	
21	1465954	6	NUT,HEX HD,5/16-18,LK,NYLON INSERT,YEL	
22	0868992	3	WASHER,FLAT,5/16,YEL ZN DICH	
23	4759588	2	BRACKET PIPE SUPPORT FLAT 4 SLOT	

**Models: L4RE
CONVECTION HEATING
INSTALLATION
2 DOOR**


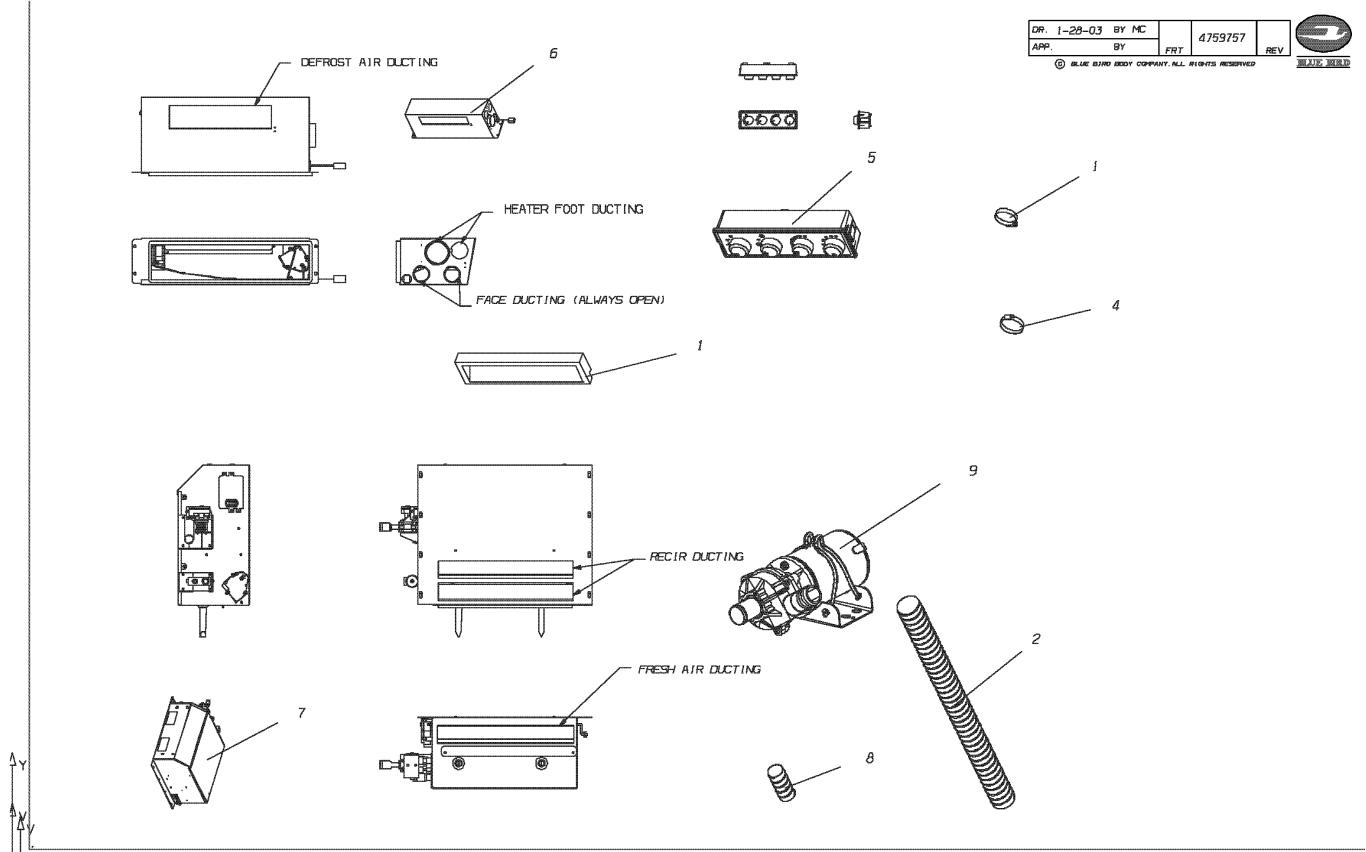
Key	PartNumber	Qty	Description	Comment
24	4759591	3	BRACKET PIPE SUPPORT ANGLED 3 SLOT	
25	0020687	10	CLAMP,LOOP,1.75	
26	0005364		SEALANT,SIKAFLEX,221 BLACK,INDUSTRIAL	
27	4759590		BRACKET PIPE SUPPORT ANGLED 2 SLOT	
28	4759592	2	BRACKET PIPE SUPPORT ANGLED 4 SLOT	
29	0024043	4	TIE,CLAMP,DUAL 150LB 19L X .50W	

Models: **L4RE**
FRONT HEATER
DEMISTER ASSY

Key	PartNumber	Qty	Description	Comment
-----	------------	-----	-------------	---------

DR. 1-29-03	BY MC	4753757	REV
APP.	BY	FRT	REV

© BLUE BIRD BODY COMPANY, ALL RIGHTS RESERVED

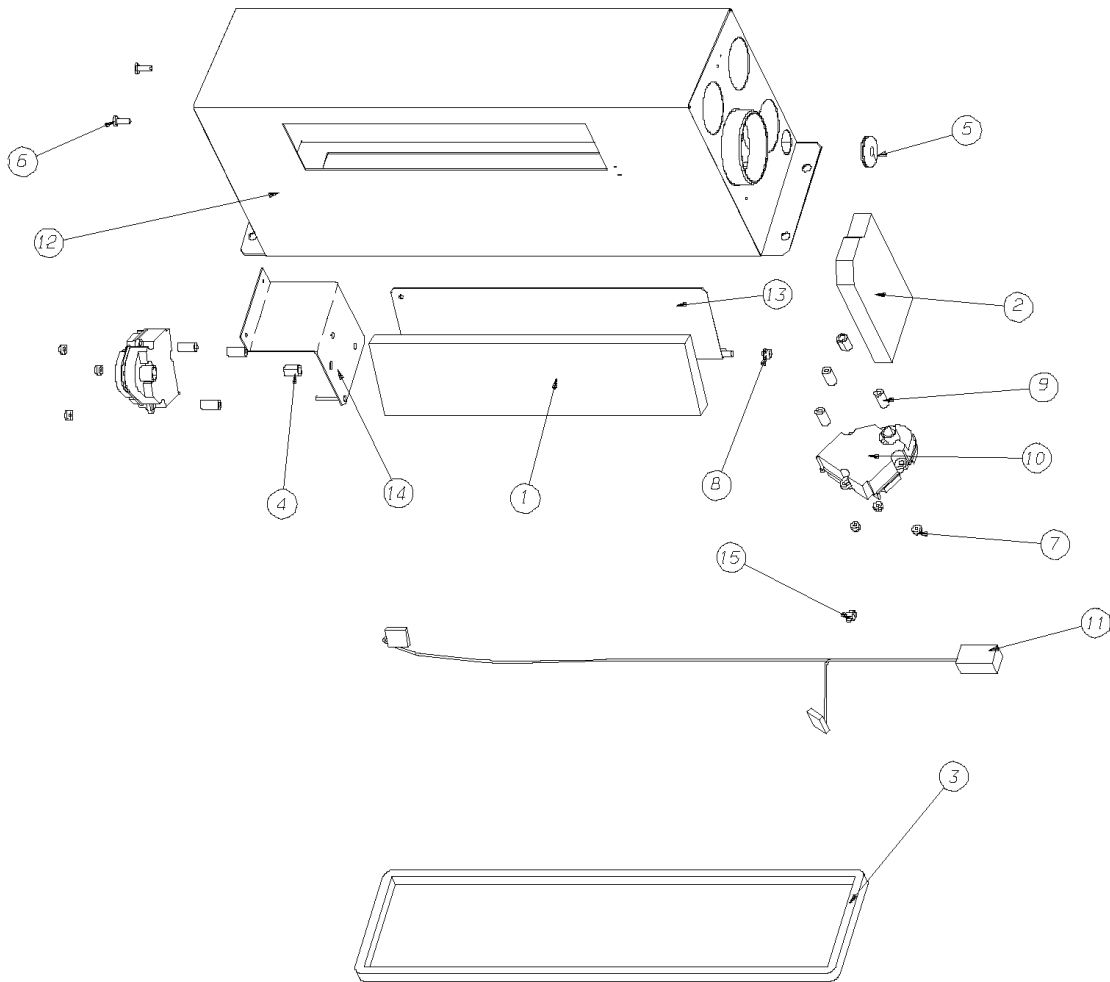



Models: L4RE
FRONT HEATER
DEMISTER ASSY

Key	PartNumber	Qty	Description	Comment
	4759757		KIT DEMISTER ASSY	<i>CONSISTS OF THE FOLLOWING</i>
1	0063292		GASKET,DEFROSTER DUCT,OUTLET,FOAM	
2	0063293		HOSE,DEFROSTER,3 INCH I.D. X 40 INCH	
3		6	CLAMP, 2 1/2 INCH HOSE	
4		2	CLAMP	
5	0063294		CONTROL,MANUAL,COMBO,BERG"	
6	0063527		HEATER,ASSEMBLY,MODE BOX,BERGSTROM	<i>SEE 0063527 FOR BREAKDOWN</i>
7	0063528		HEATER,ASSEMBLY,COMBINATION,BERGSTROM	<i>SEE 0063528 FOR BREAKDOWN</i>
8	0063295		HOSE,DEFROSTER,2 IN	
9	0058279		PUMP,WATER,AUXILIARY HTR,MP,24 VOLT	<i>PART NOT INCLUDED IN KIT</i>

Models: **L4RE**
FRONT HEATER
DEMISTER ASSY
MODE BOX ASSEMBLY

Key	PartNumber	Qty	Description	Comment
-----	------------	-----	-------------	---------

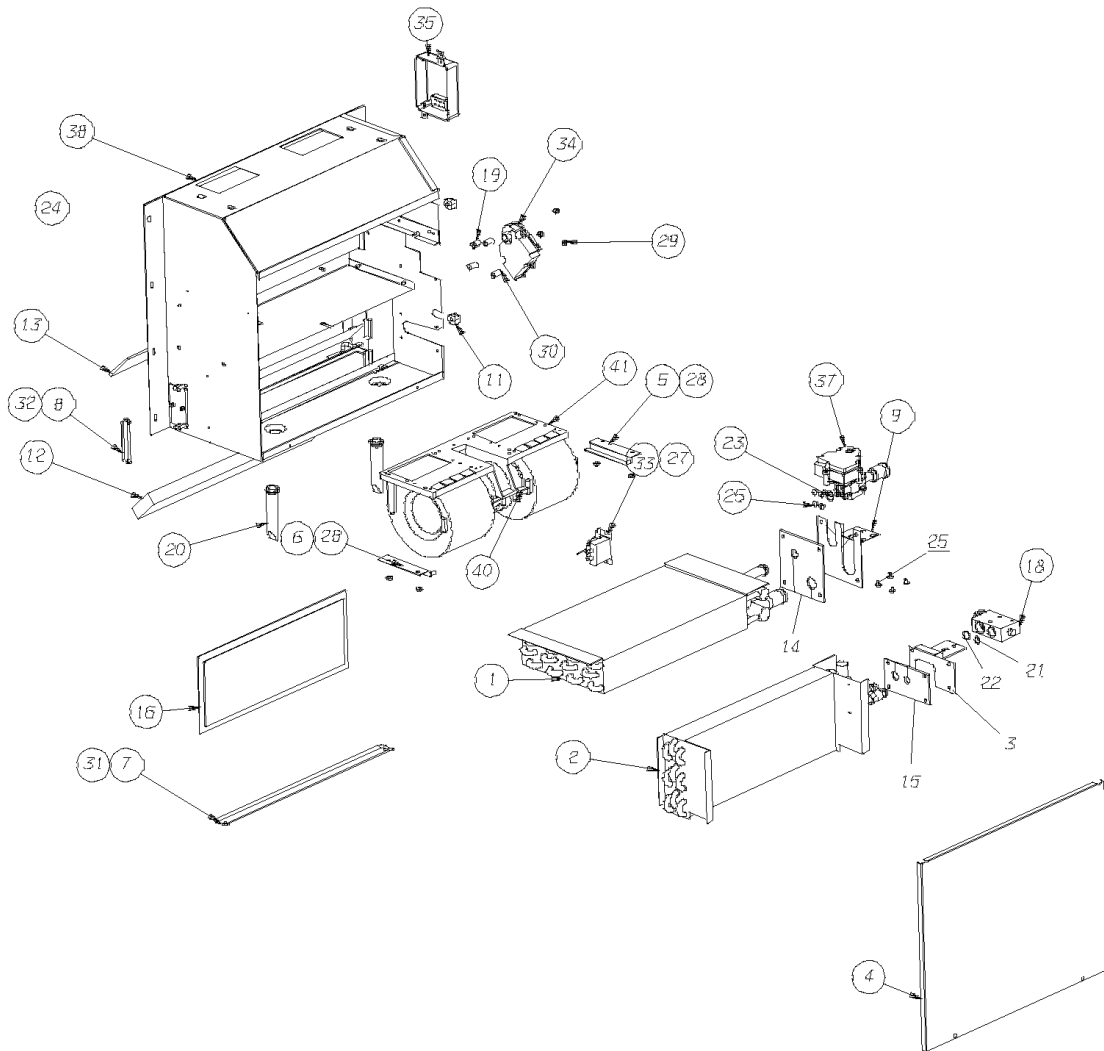


Models: L4RE
FRONT HEATER
DEMISTER ASSY
MODE BOX ASSEMBLY

Key	PartNumber	Qty	Description	Comment
	0063527		HEATER,ASSEMBLY,MODE BOX,BERGSTROM	<i>CONSISTS OF THE FOLLOWING</i>
1	0063524		GASKET,DOOR,RECIRCULATING,HEATER,BERG	
2	0063525		GASKET,DOOR,HEATER,BERGSTROM	
3			URETHANE 3/8 X 1/2 BULK	
4			BUSHING, ADAPTER	
5			GROMMET, .38 ID X 1.25 OD	
6			SCREW	
7			NUT	
8			BUSHING, NYLON	
9			SPACER, ACTUATOR,	
10	0010591		MOTOR ACTUATOR,RED,KYSOR #274327	
11	0063526		HARNESS,WIRING,ASSY MODE,HEATER,	
12			WELDMENT, MODE BOX	
13			WELDMENT, DOOR	
14			WELDMENT, ACTUATOR	
15			TIE PLASTIC	
			PART OF HEATER ASSY 4759757	

Models: **L4RE**
FRONT HEATER
HEATER ASSY
COMBINATION ASSEMBLY

Key	PartNumber	Qty	Description	Comment
-----	------------	-----	-------------	---------



Models: L4RE
FRONT HEATER
HEATER ASSY
COMBINATION ASSEMBLY

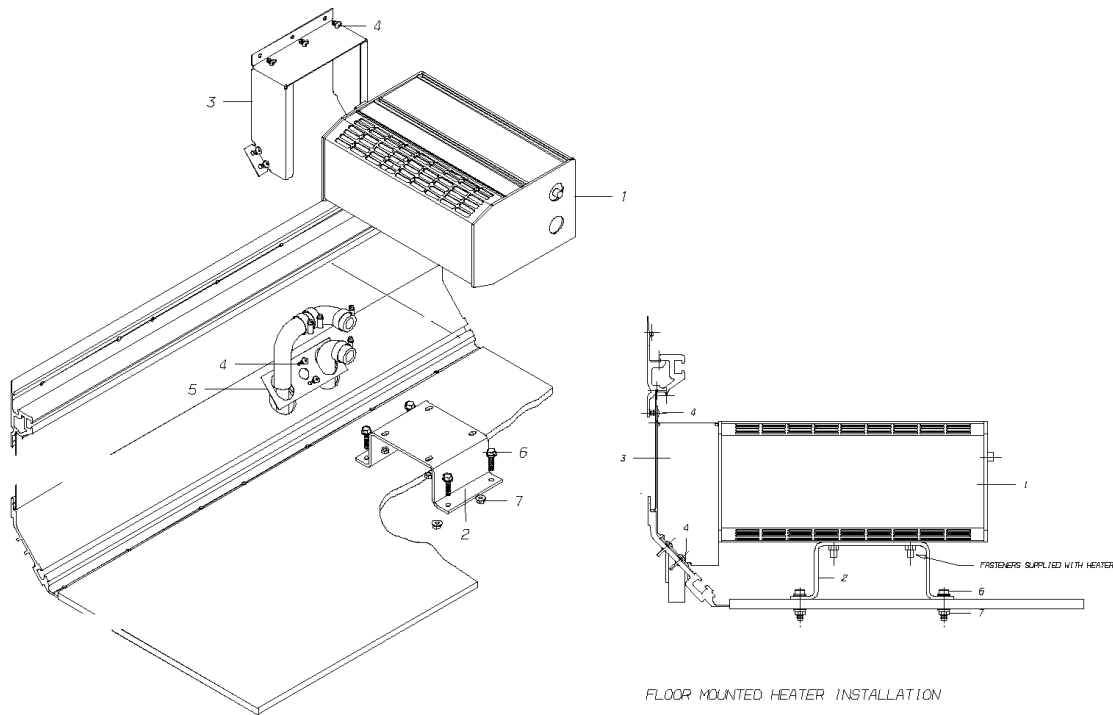
Key	PartNumber	Qty	Description	Comment
	0063528		HEATER,ASSEMBLY,COMBINATION,BERGSTROM	CONSISTS OF THE FOLLOWING
1	0063507		COIL,HEATER,BERGSTROM	
2	0063508		COIL,EVAPORATOR,BERGSTROM	
3			PLATE, TXV	
4	0107888		PLATE,COVER,HEATER,FRONT,BERG	
5			PLATE, BLOWER SUPPORT	
6			PLATE, BLOWER SUPPORT	
7	0107890		PLATE,COVER,FILTER,HEATER,FRONT,BERG	
8			PLATE, LINKAGE	
9			PLATE, WATER VALVE	
NI			WASHER	
11			GROMMET, WIRE HARNESS	
12	0063518		GASKET,HEATER,F.A,BERGSTROM	
13	0063519		GASKET,HEATER,RECIRCULATING,BERGSTROM	
14	0063520		GASKET,HEATER,WATER VALVE,BERGSTROM	
15	0063521		GASKET,HEATER,TXV,BERGSTROM	
16	0063522		FILTER,AIR,HEATER,BERGSTROM	
NI			URETHANE	
18	0063509		VALVE,HEATER,A/C,COMBO,BERGSTROM	
19			BUSHING, ADAPTOR	
20	0063523		TUBE,DRAIN,HEATER,BERGSTROM	
21			O-RING, # 8	
22			O-RING # 10	

Models: L4RE
FRONT HEATER
HEATER ASSY
COMBINATION ASSEMBLY

Key	PartNumber	Qty	Description	Comment
23			O-RING, WATER VALVE FITTING	
24	0063510		DECAL,HEATER,NAMEPLATE,BERGSTROM	
25			SCREW	
NI			BOLT	
NI			SCREW	
NI			LOCKNUT	
29			NUT	
30			SPACER, ACTUATOR	
31			SCREW,	
32			PUSHNUT, 1/4"	
33	0063511		SWITCH,HEATER,FREEZE CONTROL,	
34	0010591		MOTOR ACTUATOR,RED,KYSOR #274327	
35	0063513		CONTROL,HEATER,VOLTAGE REG,BERGSTROM	
NI	0063515		HARNES, WIRING,HEATER,BERGSTROM	
37	0063512		VALVE ASSY,WATER,HEATER,BERGSTROM	
38	0107889		HOUSING,WELDMENT,ASSY,HEATER,FRONT,	
NI	0063516		RELAY,HEATER,24 VOLT,BERGSTROM	
40			TIE - PLASTIC	
41	0073376		KIT,BLOWER,ASSEMBLY,HEATER,24V - MX-30,	
NI	0076518		BLOWER ASSY,HEATER,24V MX-30,L4	
			PART OF HEATER ASSY 4759757	

Models: L4RE
UNDERSEAT HEATER
UWE HEATER INSTALLATION
With: FEATURE 30060-37, -38, -39, -40

Key	PartNumber	Qty	Description	Comment
-----	------------	-----	-------------	---------



FLOOR MOUNTED HEATER INSTALLATION

Models: L4RE
UNDERSEAT HEATER
UWE HEATER INSTALLATION
With: FEATURE 30060-37, -38, -39, -40

Key	PartNumber	Qty	Description	Comment
1	0064273		KIT,HEATER,UWE,WHISPER 12,40000 BTU	<i>CONSISTS OF THE FOLLOWING</i>
	0066028		FAN,HEATER,UWE,WHISPER 12,L4	
	0066029		COIL,HEATER,UWE,WHISPER 12,L4	
	0066030		FILTER,HEATER,UWE,WHISPER 12,L4	
	0066031		COVER,HEATER,UWE,WHISPER 12,L4	
	0066032		PLUG,BLANK,UWE,WHISPER 12,L4	
	0066033		RESISTOR,HEATER,UWE,WHISPER 12,L4	
2	0063321		BRACKET,MTG,HEATER,UNDERSEAT, L4RE	
3	0063323		PANEL,COVER,HOSE,HEATER,UNDERSEAT, L4RE	
4	2186401	9	SCREW,10-16 X 1/2,AB,PH1,PAN HD,YEL ZN	
5	0063284		PLATE,CLOSEOUT,HOSE,HEATER,UNDERSEAT,	
6	1542448	4	CAPSCREW,HEX FLG,5/16-18X1.75,GRD5,	
7	0829390	4	NUT,HEX HD,5/16-18,SER WASHER,YEL ZN	
8	2002756	.25	SEALANT,SYNTHETIC,PUTTY,SIKA SLUG	