

**Body**

**380 Seats**

DRIVER'S SEAT

BOSTROM ROUTEMASTER + AIRE BASE BREAKDOWN  
AIR & HYDRAULIC BRAKE UNITS, WITH ARMREST

*With: OPTION 02827 WITH OPTION 2831* 1

---

AIR & HYDRAULIC BRAKE UNITS, WITH ARMREST

*With: OPTION 02827, WITH OPTION 2831* 2

---

*With: OPTION 02827 WITH OPTION 2831* 3

---

BOSTROM ROUTEMASTER + AIRE SEAT AND FRAME DIAGRAM  
AIR & HYDRAULIC BRAKE UNITS, WITH ARMREST

*With: OPTION 02827, WITH OPTION 2831* 4

---

*With: OPTION 02827 WITH OPTION 2831* 5

---

BOSTROM ROUTEMASTER + AIRE SEAT ASSEMBLIES

AIR BRAKE UNITS / STD AAFE, AARE, WITH ARMREST

*With: OPTION 02827, STD AAFE, AARE, WITH OPTION 2831* 6

---

*With: OPTION 02827, STD AAFE, AARE, WITH OPTION 2831* 7

---

*With: OPTION 02827, STD AAFE, AARE, WITH OPTION 2831* 8

---

*With: OPTION 02827, STD AAFE, AARE, WITH OPTION 2831* 9

---

*With: OPTION 02827, STD AAFE, AARE, WITH OPTION 2831* 10

---

*With: OPTION 02827, STD AAFE, AARE, WITH OPTION 2831* 11

---

HYDRAULIC UNITS, WITH ARMREST

*With: OPTION 02827, WITH OPTION 2831* 12

---

*With: OPTION 02827, WITH OPTION 2831* 13

---

*With: OPTION 02827 WITH OPTION 2831* 14

---

*With: OPTION 02827 WITH OPTION 2831* 15

---

PASSENGER SEATING

SEAT KIT

30 FT SALOON SEATING

---

16

35 FT SALOON SEATING

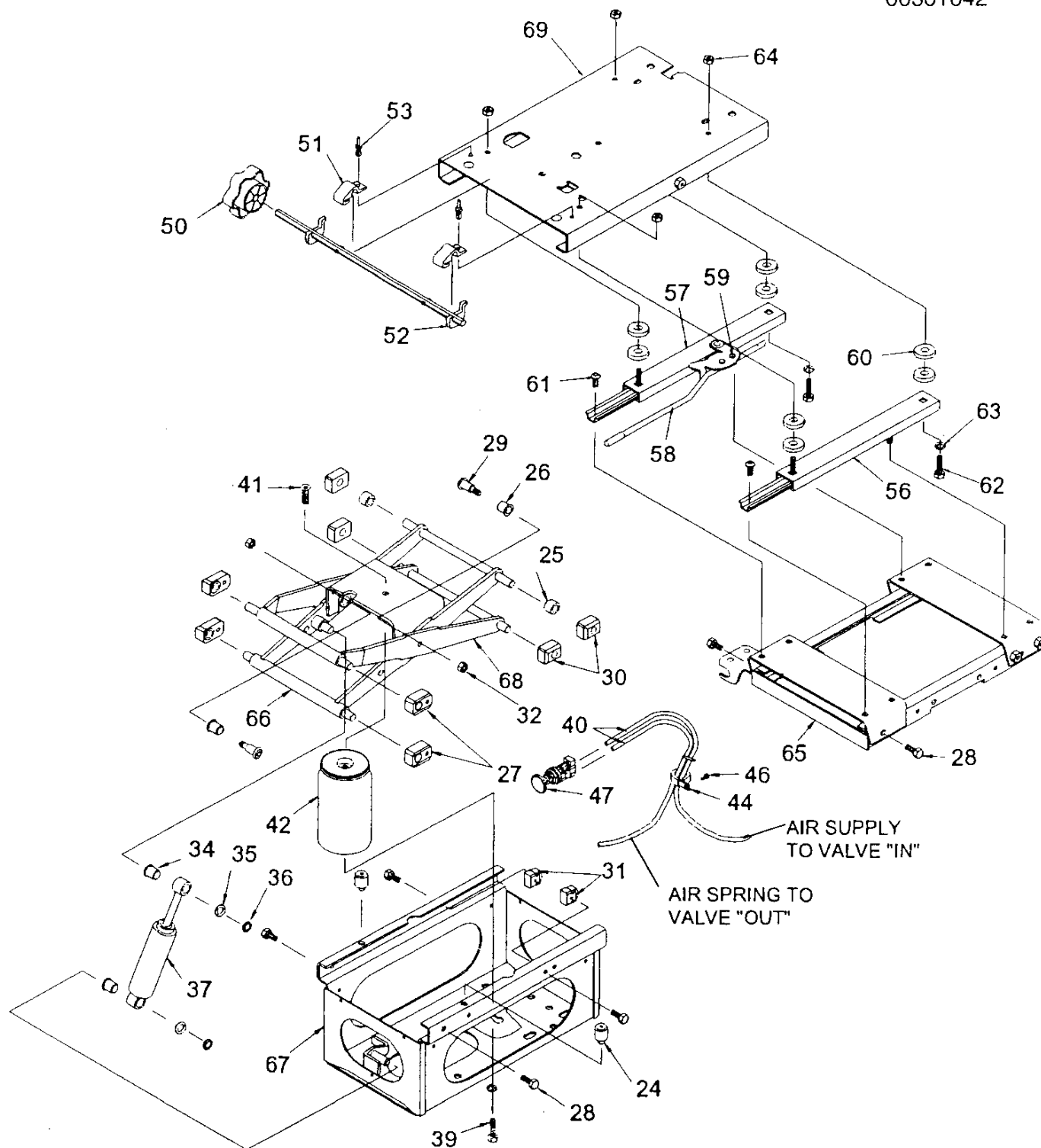
---

17

**Models:** AAFE, AARE, A3FE, A3RE, BBCV, C1FE, C4RE, CSFE, CSRE, GMCV, L3RE, L4RE, MBWB, SBCV, TCFE, TCRE, TSFE, T2RE  
**DRIVER'S SEAT**  
**BOSTROM ROUTEMASTER + AIRE BASE BREAKDOWN**  
**AIR & HYDRAULIC BRAKE UNITS, WITH ARMREST**  
**With:** OPTION 02827 WITH OPTION 2831

Key	PartNumber	Qty	Description	Comment
-----	------------	-----	-------------	---------

00301042



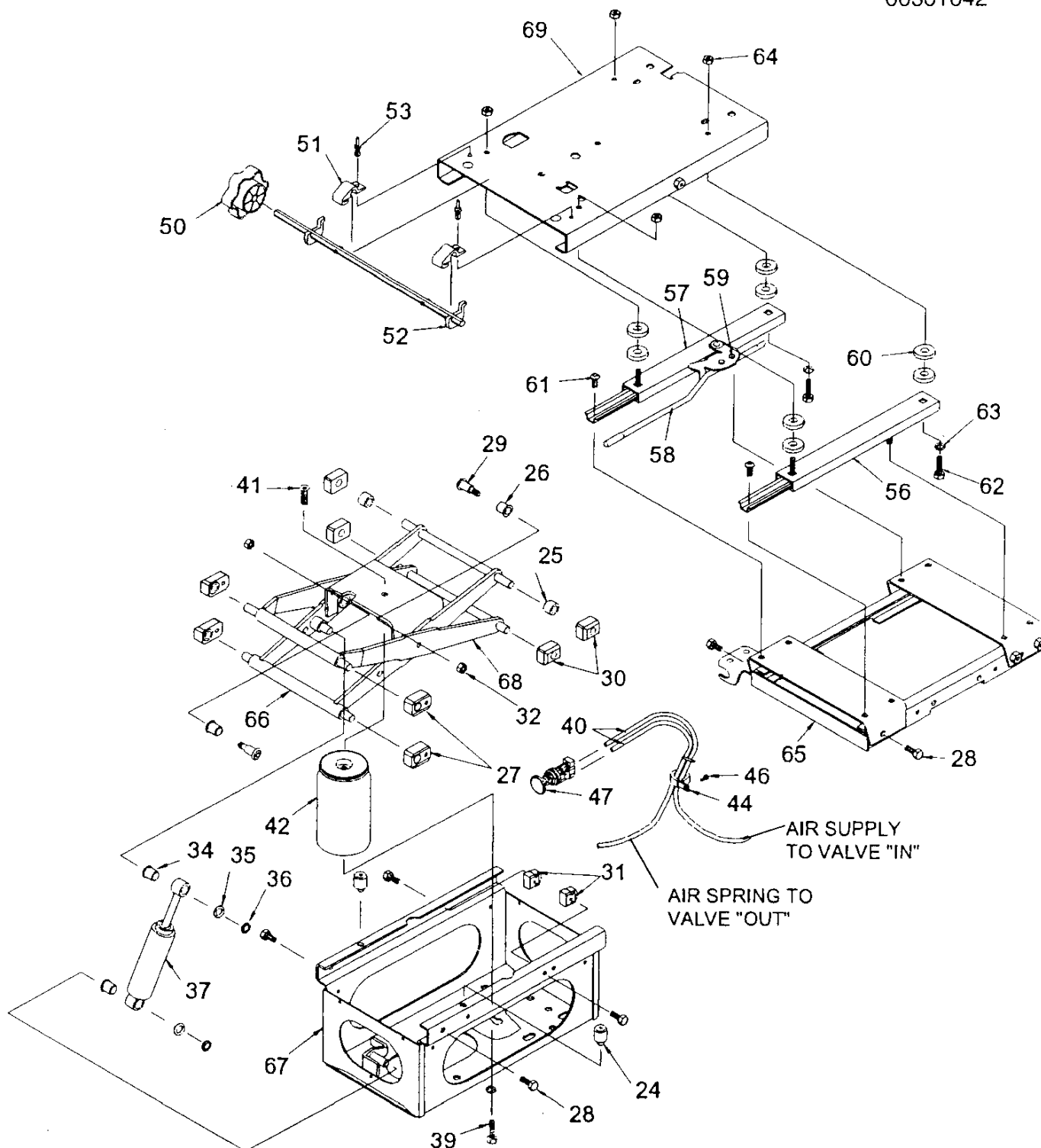
**Models:** AAFE, AARE, A3FE, A3RE, BBCV, C1FE, C4RE, CSFE, CSRE, GMCV, L3RE, L4RE, MBWB, SBCV, TCFE, TCRE, TSFE, T2RE  
**DRIVER'S SEAT**  
**BOSTROM ROUTEMASTER + AIRE BASE BREAKDOWN**  
**AIR & HYDRAULIC BRAKE UNITS, WITH ARMREST**  
**With:** OPTION 02827 WITH OPTION 2831

Key	PartNumber	Qty	Description	Comment
58	0027916		LEVER,SPEED ADJUSTER HANDLE	METAL ROD W/BLACK RUBBER CAP
59		2	RIVET	
60		8	WASHER FLAT	
61		4	SCREW SOCKET M8X16MM	
62		4	CAP SCREW M8X25MM	
63		4	FLAT WASHER	
64		4	HEX NUT M8X1.25	
65			UPPER PLATE ASSY NON IDOLATOR	
66			INNER LEVER ASSY	
67	8308009		RISER ASSY.BOSTROM 915 DR.SEAT	
68			OUTER LEVER ASSY	
69			CHANNEL WELDMENT FOR SLIDE RAILS	
70			ICP BRACKET KIT; CONSIST OF 70 AND 71	
71		2	ICP BRACKETS	
72		4	CAP SCREW M8X12MM	
NI	0016472		SHOCK, BOSTRUM, RTMTR, 6222082-001	
NI	8314965		KIT,RHEONETIC DAMPER"	
NI			BASE ASSY, BOSTROM	
NI	8311425		BASE ASSY BOSTRUM,2321524-001"	WITH STANDARD SHOCK
NI				(END W/BSN/B10032559, F10017549, L10027924, M10035639, X10007304)
NI	0063777		BASE,ASSY,BSTRM,RT MSTR + AIR,HVY DUTY	WITH HEAVY DUTY STOCK
NI				(BEG W/BSN/B10032560, F10017550, L10027925, M10035640, X10007305)

**Models:** AAFE, AARE, A3FE, A3RE, BBCV, C1FE, C4RE, CSFE, CSRE, GMCV, L3RE, L4RE, MBWB, SBCV, TCFE, TCRE, TSFE, T2RE  
**DRIVER'S SEAT**  
**BOSTROM ROUTEMASTER + AIRE BASE BREAKDOWN**  
**AIR & HYDRAULIC BRAKE UNITS, WITH ARMREST**  
**With:** OPTION 02827, WITH OPTION 2831

Key	PartNumber	Qty	Description	Comment
-----	------------	-----	-------------	---------

00301042



**Models:** AAFE, AARE, A3FE, A3RE, BBCV, C1FE, C4RE, CSFE, CSRE, GMCV, L3RE, L4RE, MBWB, SBCV, TCFE, TCRE, TSFE, T2RE  
**DRIVER'S SEAT**  
**BOSTROM ROUTEMASTER + AIRE BASE BREAKDOWN**  
**AIR & HYDRAULIC BRAKE UNITS, WITH ARMREST**  
**With:** OPTION 02827, WITH OPTION 2831

Key	PartNumber	Qty	Description	Comment
23	4315586		KIT, SUSPENSION HDW BOSTROM 6222076	CONSISTS OF 24 THRU 32
24		2	BUMPER RUBBER	
25		2	SPACER ROLLER	
26		6	BEARING MULTILUBE	
27		4	BEARING BLOCK SINTERED	
28		6	SCREW CAP M 8X20MM HX CL	
29		2	BOLT SHOULDER M8 X 1.25	
30		4	BLOCK - SLIDE	
31		2	STOP BLOCK ASSY	
32		3	NUT HEX M8 X 1.25 LK CL 9	
33	4315594		KIT, DAMPER BOSTROM 6222067-001"	CONSISTS OF 34 THRU 37
34		2	BEARING MULTILUBE	
35		2	WASHER, FL 2.00M X 12.48 X 22.00	
36		2	FASTENER	PUSH ON
37			STANDARD DAMPER	
38	4315602		KIT AIR SPRING BOSTROM 6222086-001	CONSISTS OF 39 THRU 42
39			SCREW CAP M 8XMM HX LOC 08.8	
40		3.3	TUBING NYLON BLACK 1/4 OK	
41			SCR M8X1.25 LFHD C4 8 BLK OX	
42			AIR SPRING ASSY	
43	4315610		KIT, AIR VALVE BOSTROM 6222077-001"	CONSISTS OF 44 THRU 48. UP/DOWN, PUSH PULL VALVE.
43	8313868		KIT,LH,AIR VAVLE ASSY 6222163-001	CONSISTS OF 44 THRU 48 ROCKER TYPE TRIPLE SWITCH,  UP/DOWN/LUMBAR

**Models:** AAFE, AARE, A3FE, A3RE, BBCV, C1FE, C4RE, CSFE, CSRE, GMCV, L3RE, L4RE, MBWB, SBCV, TCFE, TCRE, TSFE, T2RE  
**DRIVER'S SEAT**  
**BOSTROM ROUTEMASTER + AIRE BASE BREAKDOWN**  
**AIR & HYDRAULIC BRAKE UNITS, WITH ARMREST**  
**With:** OPTION 02827, WITH OPTION 2831

Key	PartNumber	Qty	Description	Comment
44			CLAMP CABLE	
45			TUBING NYLON BLACK 1/4 O.D.	
46			SCREW THD CUT NO 10 24	
47			VALVE PNEUMATIC - GT	
48			REINFORCEMENT BUMPER	
49	4315628		KIT, KNOBS AND TILT RODS BOSTROM	CONSISTS OF 50 THRU 54
50	4321451		KNOB,BOST,DRIVERS SEAT ADJUSTMENT"	
51		2	CLIP BRACKET, CAM SHAFT	
52			TILT ROD WELDMENT	
53		2	PLASTIC RIVET	
54		2	BLOCK, CAM	
55	4315636		KIT SLIDE RAIL 7"" BOSTROM 6222128-001"	CONSISTS OF 56 THRU 64
56			SEAT ADJUST NON-LOCKING	
57			SEAT ADJUST WITH LATCH	
58	0027916		LEVER,SPEED ADJUSTER HANDLE	METAL ROD W/BLACK RUBBER CAP
59		2	RIVET	
60		8	WASHER FLAT	
61		4	SCREW SOCKET M8X16MM	
62		4	CAP SCREW M8X25MM	
63		4	FLAT WASHER	
64		4	HEX NUT M8X1.25	
65			UPPER PLATE ASSY NON IDOLATOR	
66			INNER LEVER ASSY	

**Models:** AAFE, AARE, A3FE, A3RE, BBCV, C1FE, C4RE, CSFE, CSRE, GMCV, L3RE, L4RE, MBWB, SBCV, TCFE, TCRE, TSFE, T2RE  
**DRIVER'S SEAT**  
**BOSTROM ROUTEMASTER + AIRE BASE BREAKDOWN**  
**AIR & HYDRAULIC BRAKE UNITS, WITH ARMREST**  
**With: OPTION 02827, WITH OPTION 2831**

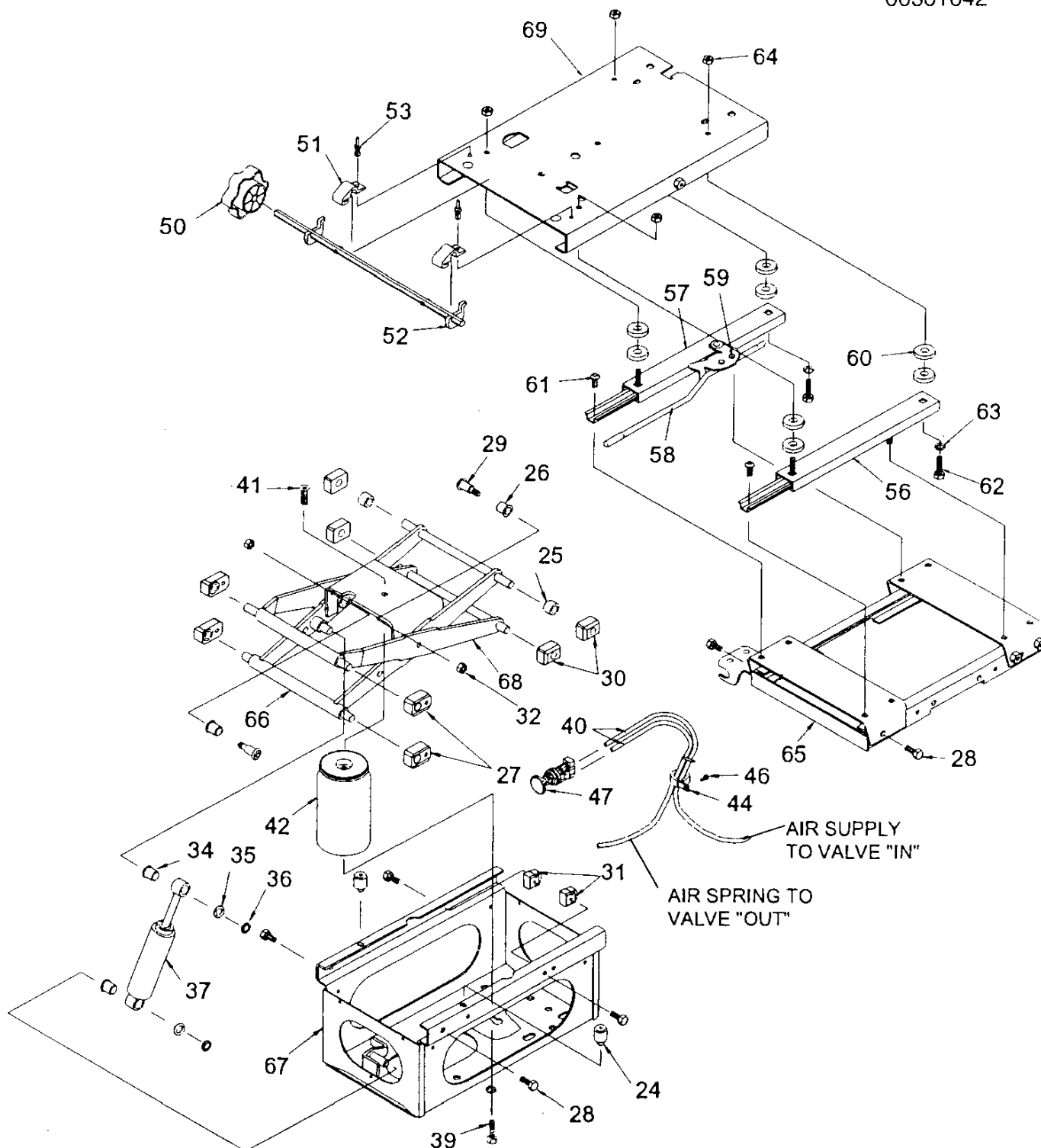
Key	PartNumber	Qty	Description	Comment
67	8308009		RISER ASSY.BOSTROM 915 DR.SEAT	
68			OUTER LEVER ASSY	
69			CHANNEL WELDMENT FOR SLIDE RAILS	
70			ICP BRACKET KIT; CONSIST OF 70 AND 71	
71		2	ICP BRACKETS	
72		4	CAP SCREW M8X12MM	
NI	0016472		SHOCK, BOSTRUM, RTMTR, 6222082-001	
NI	8314965		KIT,RHEONETIC DAMPER"	
NI			BASE ASSY, BOSTROM	
NI	8311425		BASE ASSY BOSTRUM,2321524-001"	WITH STANDARD SHOCK
NI				(END W/BSN/B10032559, F10017549, L10027924, M10035639, X10007304)
NI	0063777		BASE,ASSY,BSTRM,RT MSTR + AIR,HVY DUTY	WITH HEAVY DUTY STOCK
NI				(BEG W/BSN/B10032560, F10017550, L10027925, M10035640, X10007305)



**Models:** AAFE, AARE, A3FE, A3RE, BBCV, C1FE, C4RE, CSFE, CSRE, GMCV, L3RE, L4RE, MBWB, SBCV, TCFE, TCRE, TSFE, T2RE  
**DRIVER'S SEAT**  
**BOSTROM ROUTEMASTER + AIRE BASE BREAKDOWN**  
**AIR & HYDRAULIC BRAKE UNITS, WITH ARMREST**  
**With:** OPTION 02827 WITH OPTION 2831

Key	PartNumber	Qty	Description	Comment
-----	------------	-----	-------------	---------

00301042



**Models:** AAFE, AARE, A3FE, A3RE, BBCV, C1FE, C4RE, CSFE, CSRE, GMCV, L3RE, L4RE, MBWB, SBCV, TCFE, TCRE, TSFE, T2RE  
**DRIVER'S SEAT**  
**BOSTROM ROUTEMASTER + AIRE BASE BREAKDOWN**  
**AIR & HYDRAULIC BRAKE UNITS, WITH ARMREST**  
**With:** OPTION 02827 WITH OPTION 2831

Key	PartNumber	Qty	Description	Comment
23	4315586		KIT, SUSPENSION HDW BOSTROM 6222076	CONSISTS OF 24 THRU 32
24		2	BUMPER RUBBER	
25		2	SPACER ROLLER	
26		6	BEARING MULTILUBE	
27		4	BEARING BLOCK SINTERED	
28		6	SCREW CAP M 8X20MM HX CL	
29		2	BOLT SHOULDER M8 X 1.25	
30		4	BLOCK - SLIDE	
31		2	STOP BLOCK ASSY	
32		3	NUT HEX M8 X 1.25 LK CL 9	
33	4315594		KIT, DAMPER BOSTROM 6222067-001"	CONSISTS OF 34 THRU 37
34		2	BEARING MULTILUBE	
35		2	WASHER, FL 2.00M X 12.48 X 22.00	
36		2	FASTENER (PUSH ON)	
37			STANDARD DAMPER	
38	4315602		KIT AIR SPRING BOSTROM 6222086-001	CONSISTS OF 39 THRU 42
39			SCREW CAP M 8XMM HX LOC 08.8	
40		3.3	TUBING NYLON BLACK 1/4 OK	
41			SCR M8X1.25 LFHD C4 8 BLK OX	
42			AIR SPRING ASSY	
43	4315610		KIT, AIR VALVE BOSTROM 6222077-001"	CONSISTS OF 44 THRU 48. UP/DOWN, PUSH PULL VALVE.
43	8313868		KIT,LH,AIR VAVLE ASSY 6222163-001	CONSISTS OF 44 THRU 48 ROCKER TYPE TRIPLE SWITCH,  UP/DOWN/LUMBAR

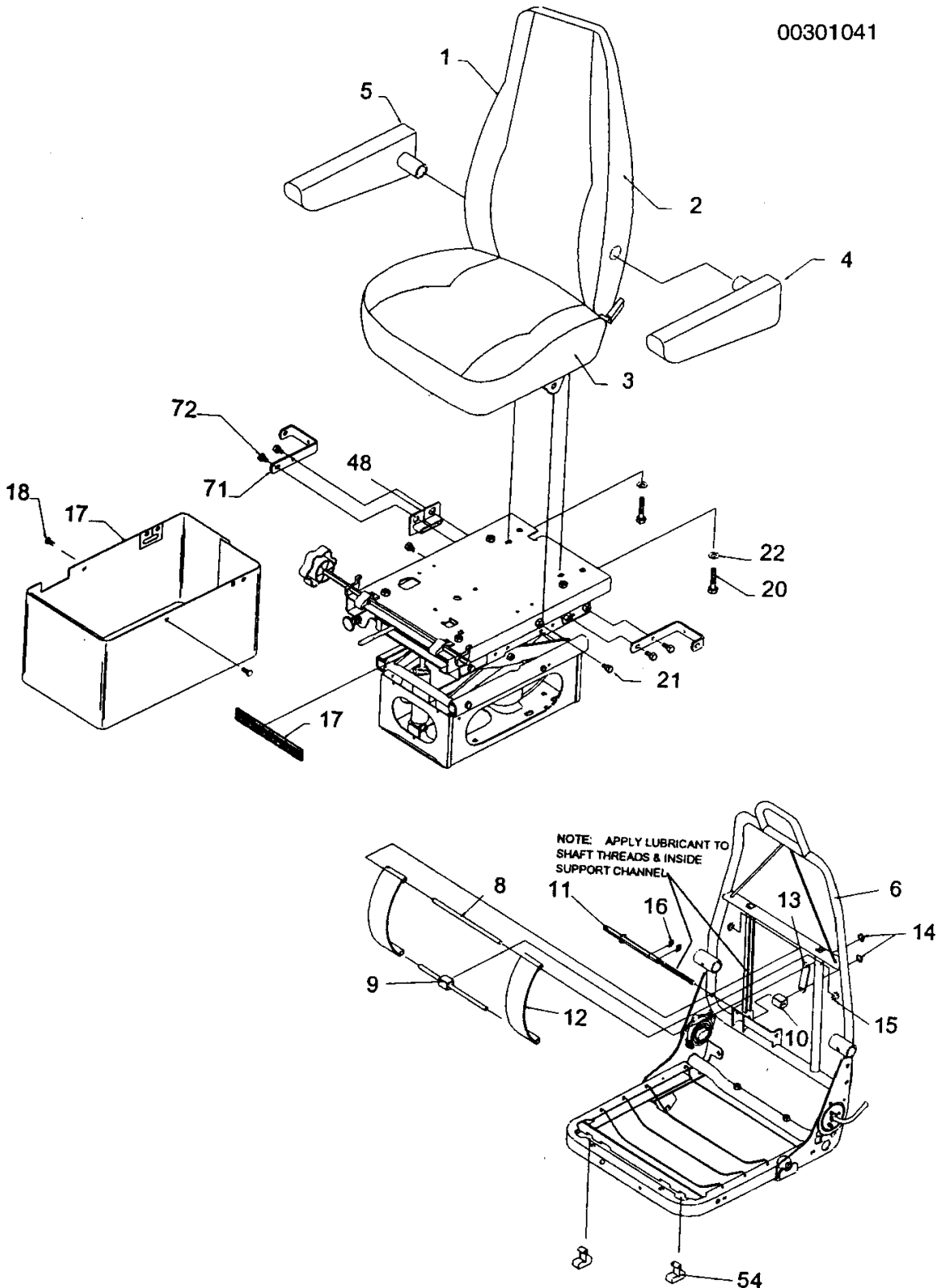
**Models:** AAFE, AARE, A3FE, A3RE, BBCV, C1FE, C4RE, CSFE, CSRE, GMCV, L3RE, L4RE, MBWB, SBCV, TCFE, TCRE, TSFE, T2RE  
**DRIVER'S SEAT**  
**BOSTROM ROUTEMASTER + AIRE BASE BREAKDOWN**  
**AIR & HYDRAULIC BRAKE UNITS, WITH ARMREST**  
**With: OPTION 02827 WITH OPTION 2831**

Key	PartNumber	Qty	Description	Comment
44			CLAMP CABLE	
45			TUBING NYLON BLACK 1/4 O.D.	
46			SCREW THD CUT NO 10 24	
47			VALVE PNEUMATIC - GT	
48			REINFORCEMENT BUMPER	
49	4315628		KIT, KNOBS AND TILT RODS BOSTROM	<i>CONSISTS OF 50 THRU 54</i>
50	4321451		KNOB,BOST,DRIVERS SEAT ADJUSTMENT"	
51		2	CLIP BRACKET, CAM SHAFT	
52			TILT ROD WELDMENT	
53		2	PLASTIC RIVET	
54		2	BLOCK, CAM	
55	4315636		KIT SLIDE RAIL 7"" BOSTROM 6222128-001"	<i>CONSISTS OF 56 THRU 64</i>
56			SEAT ADJUST NON-LOCKING	
57			SEAT ADJUST WITH LATCH	

**Models:** AAFE, AARE, A3FE, A3RE, BBCV, C1FE, C4RE, CSFE, CSRE, GMCV, L3RE, L4RE, MBWB, SBCV, TCFE, TCRE, TSFE, T2RE  
**DRIVER'S SEAT**  
**BOSTROM ROUTEMASTER + AIRE SEAT AND FRAME DIAGRAM**  
**AIR & HYDRAULIC BRAKE UNITS, WITH ARMREST**  
**With: OPTION 02827, WITH OPTION 2831**

Key	PartNumber	Qty	Description	Comment
-----	------------	-----	-------------	---------

00301041



**Models:** AAFE, AARE, A3FE, A3RE, BBCV, C1FE, C4RE, CSFE, CSRE, GMCV, L3RE, L4RE, MBWB, SBCV, TCFE, TCRE, TSFE, T2RE  
**DRIVER'S SEAT**  
**BOSTROM ROUTEMASTER + AIRE SEAT AND FRAME DIAGRAM**  
**AIR & HYDRAULIC BRAKE UNITS, WITH ARMREST**  
**With:** OPTION 02827, WITH OPTION 2831

Key	PartNumber	Qty	Description	Comment
4/5			ARMREST RH AND LH	OPT 2831
	1697762		ARMREST,BOSTROM,BROWN VINYL	
	1697770		ARMREST,BOSTROM,BROWN VINYL,FIRE	
	0078719		ARM REST ASSY,DRV,BOST,BN ATHOL	
	1697788		ARMREST,BOSTROM,GREEN VINYL	
	1697796		ARMREST,BOSTROM,DK GREEN ,FIRE RET	
	0078722		ARM REST ASSY,DRV,BOST,GN ATHOL	
	1697804		ARMREST,BOSTROM,BLACK VINYL	
	0078717		ARM REST ASSY,DRV,BOST,BK ATHOL	
	0002326		ARMREST,BOSTROM,BURGUNDY VINYL	
	0002328		ARMREST,BOSTROM,BURG VINYL,FIRE	
	0078720		ARM REST ASSY,DRV,BOST,BG ATHOL	
	0002327		ARMREST,BOSTROM,BLUE VINYL	
	0002330		ARMREST,BOSTROM,BLUE VINYL,FIRE	
	0078718		ARM REST ASSY,DRV,BOST,BL ATHOL PROFORM	
	0078860		ARM REST ASSY,DRV,BOST,TL ATHOL PROFORM	
NI	8301400		KIT,RETROFIT,ARM REST,BOST DRI SEAT"	PRIOR TO 1996
NI	0027664		KIT,ARMREST INSERT 6222159-001	
6	4315552		FRAME ASSY,HI-BK BOSTROM 6200755-001	
7	8307613		KIT,LUMBAR,222,BOSTROM SEAT	CONSISTS OF 8 THRU 18
8			LUMBAR SUPPORT SHAFT	
9			LUMBER SLIDE SHAFT WELDMENT	
10			LUMBER ADJUSTMENT BLOCK	

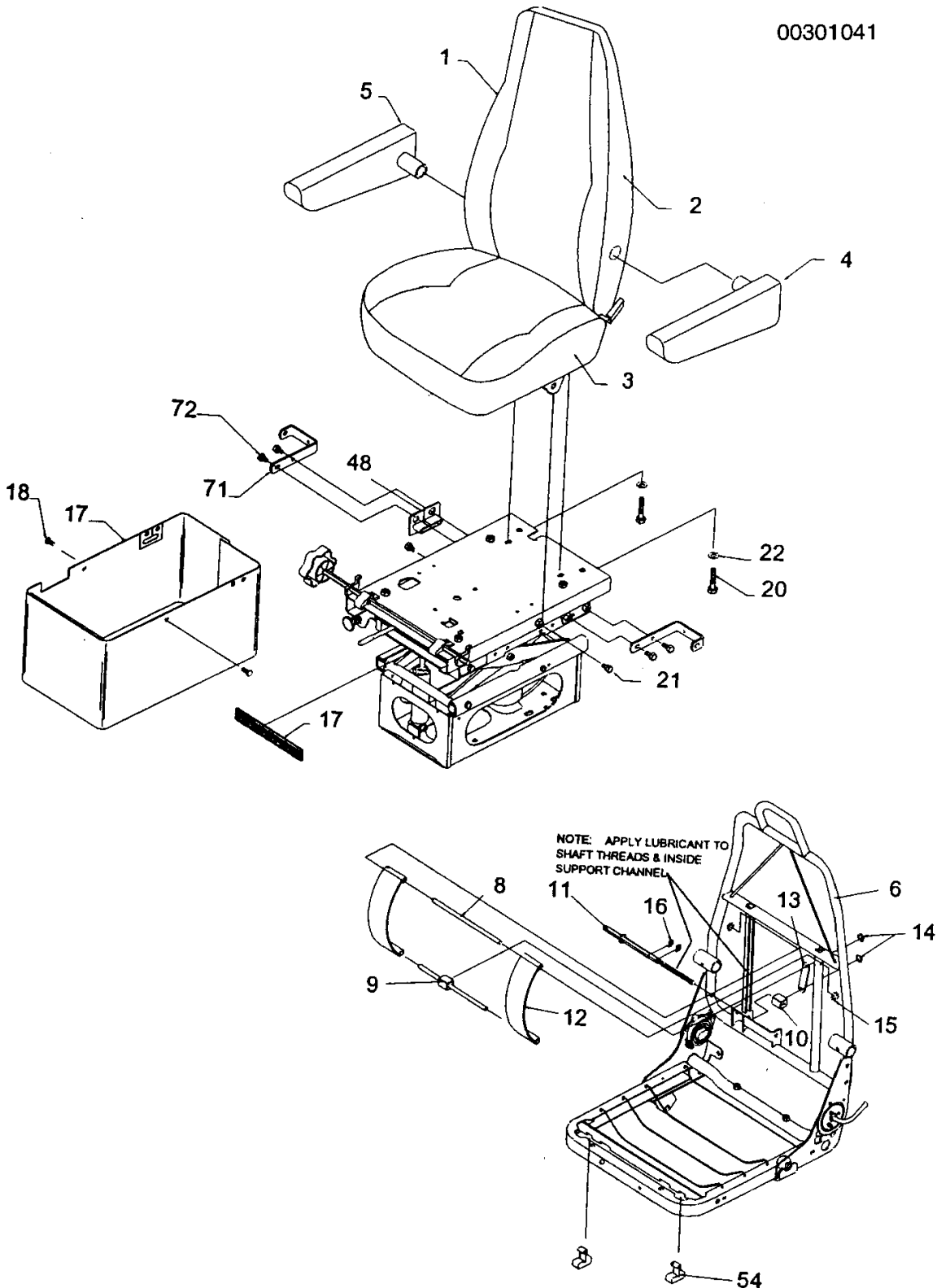
**Models:** AAFE, AARE, A3FE, A3RE, BBCV, C1FE, C4RE, CSFE, CSRE, GMCV, L3RE, L4RE, MBWB, SBCV, TCFE, TCRE, TSFE, T2RE  
**DRIVER'S SEAT**  
**BOSTROM ROUTEMASTER + AIRE SEAT AND FRAME DIAGRAM**  
**AIR & HYDRAULIC BRAKE UNITS, WITH ARMREST**  
**With:** OPTION 02827, WITH OPTION 2831

Key	PartNumber	Qty	Description	Comment
11			LUMBER SHAFT WELDMENT	
12		2	LUMBER SPRING	
13			LUMBER LINKAGE	
14		2	PUSHNUT 5/16 IN	
15		2	PUSHNUT 3/8 IN	
16		2	EXTERNAL RETAINING RING	
17	0049851		COVER, SUSPENSION, BALCK VINYL, BOSTROM	
18		2	XMAS TREE CLIP	
NI	8302507		KNOB,BOSTROM SEAT BACK LUMBAR ADJ."	
19	4315578		KIT, FASTENERS, SEAT MTG. BOSTROM	CONSISTS OF 20, 21, & 22
20		2	SCREW, CAP M 8X40MM FULLTHRDZP	
21		2	BOLT SHDR M8X1.25	
22		2	WASHER FL 060X0.34X0.68 ZP	
48			PART OF KIT KEY # 43	
54			PART OF KIT KEY # 49	
70	4315701		KIT, IPC BRACKET BOSTROM 622127-001"	CONSISTS OF 71 THRU 72
71		2	ICP BRACKETS	
72		4	CAP SCREW M8X12MM	
NI	8312100		FOAM,SEAT CUSHION,BOST RTE MASTER T,	
NI	4315826		FOAM,BACK,SEAT,HI-BK BOSTROM"	

**Models:** AAFE, AARE, A3FE, A3RE, BBCV, C1FE, C4RE, CSFE, CSRE, GMCV, L3RE, L4RE, MBWB, SBCV, TCFE, TCRE, TSFE, T2RE  
**DRIVER'S SEAT**  
**BOSTROM ROUTEMASTER + AIRE SEAT AND FRAME DIAGRAM**  
**AIR & HYDRAULIC BRAKE UNITS, WITH ARMREST**  
**With:** OPTION 02827 WITH OPTION 2831

Key	PartNumber	Qty	Description	Comment
-----	------------	-----	-------------	---------

00301041



**Models:** AAFE, AARE, A3FE, A3RE, BBCV, C1FE, C4RE, CSFE, CSRE, GMCV, L3RE, L4RE, MBWB, SBCV, TCFE, TCRE, TSFE, T2RE  
**DRIVER'S SEAT**  
**BOSTROM ROUTEMASTER + AIRE SEAT AND FRAME DIAGRAM**  
**AIR & HYDRAULIC BRAKE UNITS, WITH ARMREST**  
**With: OPTION 02827 WITH OPTION 2831**

Key	PartNumber	Qty	Description	Comment
4/5			ARMREST OPT 2831 (RH AND LH)	
	1697762		ARMREST,BOSTROM,BROWN VINYL	
	1697770		ARMREST,BOSTROM,BROWN VINYL,FIRE	
	0078719		ARM REST ASSY,DRV,BOST,BN ATHOL	
	1697788		ARMREST,BOSTROM,GREEN VINYL	
	1697796		ARMREST,BOSTROM,DK GREEN ,FIRE RET	
	0078722		ARM REST ASSY,DRV,BOST,GN ATHOL	
	1697804		ARMREST,BOSTROM,BLACK VINYL	
	0078717		ARM REST ASSY,DRV,BOST,BK ATHOL	
	0002326		ARMREST,BOSTROM,BURGUNDY VINYL	
	0002328		ARMREST,BOSTROM,BURG VINYL,FIRE	
	0078720		ARM REST ASSY,DRV,BOST,BG ATHOL	
	0002327		ARMREST,BOSTROM,BLUE VINYL	
	0002330		ARMREST,BOSTROM,BLUE VINYL,FIRE	
	0078718		ARM REST ASSY,DRV,BOST,BL ATHOL PROFORM	
	0078860		ARM REST ASSY,DRV,BOST,TL ATHOL PROFORM	
NI	8301400		KIT,RETROFIT,ARM REST,BOST DRI SEAT"	PRIOR TO 1996
NI	0027664		KIT,ARMREST INSERT 6222159-001	
6	4315552		FRAME ASSY,HI-BK BOSTROM 6200755-001	
7	8307613		KIT,LUMBAR,222,BOSTROM SEAT	CONSISTS OF 8 THRU 18
8			LUMBAR SUPPORT SHAFT	
9			LUMBER SLIDE SHAFT WELDMENT	
10			LUMBER ADJUSTMENT BLOCK	



**Models:** AAFE, AARE, A3FE, A3RE, BBCV, C1FE, C4RE, CSFE, CSRE, GMCV, L3RE, L4RE, MBWB, SBCV, TCFE, TCRE, TSFE, T2RE  
**DRIVER'S SEAT**  
**BOSTROM ROUTEMASTER + AIRE SEAT AND FRAME DIAGRAM**  
**AIR & HYDRAULIC BRAKE UNITS, WITH ARMREST**  
**With:** OPTION 02827 WITH OPTION 2831

Key	PartNumber	Qty	Description	Comment
11			LUMBER SHAFT WELDMENT	
12		2	LUMBER SPRING	
13			LUMBER LINKAGE	
14		2	PUSHNUT 5/16 IN	
15		2	PUSHNUT 3/8 IN	
16		2	EXTERNAL RETAINING RING	
17	0049851		COVER, SUSPENSION, BALCK VINYL, BOSTROM	
18		2	XMAS TREE CLIP	
NI	8302507		KNOB,BOSTROM SEAT BACK LUMBAR ADJ."	
19	4315578		KIT, FASTENERS, SEAT MTG. BOSTROM	CONSISTS OF 20, 21, & 22
20		2	SCREW, CAP M 8X40MM FULLTHRDZP	
21		2	BOLT SHDR M8X1.25	
22		2	WASHER FL 060X0.34X0.68 ZP	
48			PART OF KIT KEY # 43	
54			PART OF KIT KEY # 49	
70	4315701		KIT, IPC BRACKET BOSTROM 622127-001"	CONSISTS OF 71 THRU 72
71		2	ICP BRACKETS	
72		4	CAP SCREW M8X12MM	
NI	8312100		FOAM,SEAT CUSHION,BOST RTE MASTER T,	
NI	4315826		FOAM,BACK,SEAT,HI-BK BOSTROM"	

**Models:** AAFE, AARE, A3FE, A3RE, BBCV, C1FE, C4RE, CSFE, CSRE, GMCV, L3RE, L4RE, MBWB, SBCV, TCFE, TCRE, TSFE, T2RE  
**DRIVER'S SEAT**  
**BOSTROM ROUTEMASTER + AIRE SEAT ASSEMBLIES**  
**AIR BRAKE UNITS / STD AAFE, AARE, WITH ARMREST**  
**With:** OPTION 02827, STD AAFE, AARE, WITH OPTION 2831

Key	PartNumber	Qty	Description	Comment
			BOSTROM ROUTEMASTER + AIR FOR AIR	OPT 2827
	1697606		SEAT,DR,BOST,RTMSTR+AIR,BROWN VINYL	END WITH BSN B0256964, F0188893, L0018799, M0369415
	4328571		COVER ASSY,CUSH,BOST,OPT 2827,BRN VNYL"	
	4324224		COVER ASSY,HI-BK,BOST,OPT 2824&5&7,BRN	
	1860204		SEAT,DR,BOST,RTMSTR+AIR,BROWN VINYL	FROM BSN B0256965, F0188894, L0018800, M0369414 TO BSN B10032559, F10017549, L10027924, M10035639, X10007304
	4328571		COVER ASSY,CUSH,BOST,OPT 2827,BRN VNYL"	
	4324224		COVER ASSY,HI-BK,BOST,OPT 2824&5&7,BRN	
	0014178		SEAT,DR,BOST,RTMSTR+AIR,BROWN VINYL	BEGIN WITH BSN/B10032560, F10017550, L10027925, M10035640 X10007305
	4328571		COVER ASSY,CUSH,BOST,OPT 2827,BRN VNYL"	
	4324224		COVER ASSY,HI-BK,BOST,OPT 2824&5&7,BRN	
	1697614		SEAT,DR,BOST,RTMSTR+AIR,BRN VNL,FIRE RET	END WITH BSN B0256964, F0188893, L0018799, M0369415
	4324273		COVER ASSY,HI-BK,BOST,OPT 2824&5,KEV	
	1860212		SEAT,DR,BOST,RTMSTR+AIR,BRN VNL,FIRE RET	FROM BSN B0256965, F0188894, L0018800, M0369414 TO BSN B10032559, F10017549, L10027924, M10035639, X10007304
	4324273		COVER ASSY,HI-BK,BOST,OPT 2824&5,KEV	
	0014179		SEAT,DR,BOST,RTMSTR+AIR,BRN VNL,FIRE RET	BEG WITH BSN B10032560, F10017550, L10027925, M10035640, X10007305
	4324273		COVER ASSY,HI-BK,BOST,OPT 2824&5,KEV	
	0078685		SEAT,DRV,BOST,RTMSTR+AIR,BN,PRFM II	
	1697622		SEAT,DR,BOST,RTMSTR+AIR,BRN VNL / FABRIC	END WITH BSN B0256964, F0188893, L0018799, M0369415

**Models:** AAFE, AARE, A3FE, A3RE, BBCV, C1FE, C4RE, CSFE, CSRE, GMCV, L3RE, L4RE, MBWB, SBCV, TCFE, TCRE, TSFE, T2RE  
**DRIVER'S SEAT**  
**BOSTROM ROUTEMASTER + AIRE SEAT ASSEMBLIES**  
**AIR BRAKE UNITS / STD AAFE, AARE, WITH ARMREST**  
**With:** OPTION 02827, STD AAFE, AARE, WITH OPTION 2831

Key	PartNumber	Qty	Description	Comment
	4325387		COVER ASSY,HI-BK,BOST,OPT 2824&25,BRN	
	1860220		SEAT,DR,BOST,RTMSTR+AIR,BRN VNL/FABRIC	FROM BSN B0256965, F0188894, L0018800, M0369414 TO BSN B10032559, F10017549, L10027924, M10035639, X10007304
	4325387		COVER ASSY,HI-BK,BOST,OPT 2824&25,BRN	
	4320834		COVER ASSY,CUSH,BOST,OPT 2825(27),BRN	
	0014180		SEAT,DR,BOST,RTMSTR+AIR,BRN VNL/FABRIC	BEGIN WITH BSN B10032560, F10017550, L10027925, M10035640, X10007305
	4325387		COVER ASSY,HI-BK,BOST,OPT 2824&25,BRN	
	0078686		SEAT,DRV,BOST,RTMSTR+AIR,BN,PRFM II,	

**Models:** AAFE, AARE, A3FE, A3RE, BBCV, C1FE, C4RE, CSFE, CSRE, GMCV, L3RE, L4RE, MBWB, SBCV, TCFE, TCRE, TSFE, T2RE  
**DRIVER'S SEAT**  
**BOSTROM ROUTEMASTER + AIRE SEAT ASSEMBLIES**  
**AIR BRAKE UNITS / STD AAFE, AARE, WITH ARMREST**  
**With:** OPTION 02827, STD AAFE, AARE, WITH OPTION 2831

Key	PartNumber	Qty	Description	Comment
	1697630		SEAT,DR,BOST,RTMSTR+AIR,GREEN VINYL	END WITH BSN B0256964, F0188893, L0018799, M0369415
	1697648		SEAT,DR,BOST,RTMSTR+AIR,GRN VNL,FIRE RET	
	1860246		SEAT,DR,BOST,RTMSTR+AIR,DK GRN VNL,FIRE	FROM BSN B0256965, F0188894, L0018800, M0369414 TO BSN B10032559, F10017549, L10027924, M10035639, X10007304
	4324265		COVER ASSY,HI-BK,BOST,OPT 2824&5,KEV	
	0014188		SEAT,DR,BOST,RTMSTR+AIR,DK GRN VNL,FIRE	BEG WITH BSN B10032560, F10017550, L10027925, M10035640, X10007305
	4324265		COVER ASSY,HI-BK,BOST,OPT 2824&5,KEV	
	0078691		SEAT,DRV,BOST,RTMSTR+AIR,GN,PRFM II	
	1697655		SEAT,DR,BOST,RTMSTR+AIR,GRN VNL / FABRIC	END WITH BSN B0256964, F0188893, L0018799, M0369415
	4318879		COVER ASSY,CUSH,DRI,BOST,OPT 2825,	
	4324232		COVER ASSY,HI-BK,BOST,OPT 2824&5&7,GRN	
	1697663		SEAT,DR,BOST,RTMSTR+AIR,BLACK VINYL	END WITH BSN B0256964, F0188893, L0018799, M0369415
	1860261		SEAT,DR,BOST,RTMSTR+AIR,BLACK VINYL	FROM BSN B0256965, F0188894, L0018800, M0369414 TO BSN B10032559, F10017549, L10027924, M10035639, X10007304
	0014176		SEAT,DR,BOST,RTMSTR+AIR,BLACK VINYL	BEG WITH BSN B10032560, F10017550, L10027925, M10035640, X10007305
	4315776		COVER ASSY.HI-BK,BOST.OPT.2824,5,7,BLK	
	0078681		SEAT,DRV,BOST,RTMSTR+AIR,BK,PRFM II	
	1697671		SEAT,DR,BOST,RTMSTR+AIR,BLK VNL / FABRIC	END WITH BSN B0256964, F0188893, L0018799, M0369415
	1860279		SEAT,DR,BOST,RTMSTR+AIR,BLK VNL/FABRIC	

**Models:** AAFE, AARE, A3FE, A3RE, BBCV, C1FE, C4RE, CSFE, CSRE, GMCV, L3RE, L4RE, MBWB, SBCV, TCFE, TCRE, TSFE, T2RE  
**DRIVER'S SEAT**  
**BOSTROM ROUTEMASTER + AIRE SEAT ASSEMBLIES**  
**AIR BRAKE UNITS / STD AAFE, AARE, WITH ARMREST**  
**With:** OPTION 02827, STD AAFE, AARE, WITH OPTION 2831

Key	PartNumber	Qty	Description	Comment
				TO BSN B10032559, F10017549, L10027924, M10035639, X10007304
	4315800		COVER ASSY.HI-BK BOST.OPT. 2824 BLK	
	0014177		SEAT,DR,BOST,RTMSTR+AIR,BLK VNL/FABRIC	BEG WITH BSN B10032560, F10017550, L10027925, M10035640, X10007305
	4315800		COVER ASSY.HI-BK BOST.OPT. 2824 BLK	
	0028037		COVER ASSY CUSH,DRI,BOST,BLACK VNYL	
	0078682		SEAT,DRV,BOST,RTMSTR+AIR,BK,PRFM II,	

**Models:** AAFE, AARE, A3FE, A3RE, BBCV, C1FE, C4RE, CSFE, CSRE, GMCV, L3RE, L4RE, MBWB, SBCV, TCFE, TCRE, TSFE, T2RE  
**DRIVER'S SEAT**  
**BOSTROM ROUTEMASTER + AIRE SEAT ASSEMBLIES**  
**AIR BRAKE UNITS / STD AAFE, AARE, WITH ARMREST**  
**With:** OPTION 02827, STD AAFE, AARE, WITH OPTION 2831

Key	PartNumber	Qty	Description	Comment
	0014184		SEAT,DR,BOST,RTMSTR+AIR,BURG VNL/FAB	BEG WITH BSN B10032560, F10017550, L10027925, M10035640, X10007305
	8317422		COVER ASSY,CUSH,BURGUNDY,VINYL FAB"	
	8317448		COVER ASSY,BACK,DRVR,BOST,BURG,VINYL	
	8317950		COVER ASSY,BACK,DRVR,BOST,BURG KEV	
	0078687		SEAT,DRV,BOST,RTMSTR+AIR,BG,PRFM II	
	0078688		SEAT,DRV,BOST,RTMSTR+AIR,BG,PRFM II,	
	0002315		SEAT,DR,BOST,RTMSTR+AIR,BLUE VINYL	
	0014185		SEAT,DR,BOST,RTMSTR+AIR,BLUE VINYL	BEG WITH BSN B10032560, F10017550, L10027925, M10035640, X10007305
	0002314		SEAT,DR,BOST,RTMSTR+AIR,BLUE VNL,FIRE	
	0014186		SEAT,DR,BOST,RTMSTR+AIR,BLUE VNL,FIRE	
	0078683		SEAT,DRV,BOST,RTMSTR+AIR,BL,PRFM II	BEG WITH BSN B10032560, F10017550, L10027925, M10035640, X10007305
	0002312		SEAT,DR,BOST,RTMSTR+AIR,BLUE VNL/FABRIC	
	0014187		SEAT,DR,BOST,RTMSTR+AIR,BLUE VNL/FABRIC	BEG WITH BSN B10032560, F10017550, L10027925, M10035640, X10007305
	0013504		COVER ASSY,CUSH,BOST.DVR, BLUE FABRIC	
	0013505		COVER ASSY,BACK,BOST.DVR, BLUE FABRIC	
	0057074		SEAT,DR,BOST,RTMSTR+AIR,BLUE KEV/FAB	
	0078684		SEAT,DRV,BOST,RTMSTR+AIR,BL,PRFM II,	
	0078857		SEAT,DRV,BOST,RTMSTR+AIR,TL,PRFM II	

**Models:** AAFE, AARE, A3FE, A3RE, BBCV, C1FE, C4RE, CSFE, CSRE, GMCV, L3RE, L4RE, MBWB, SBCV, TCFE, TCRE, TSFE, T2RE  
**DRIVER'S SEAT**  
**BOSTROM ROUTEMASTER + AIRE SEAT ASSEMBLIES**  
**AIR BRAKE UNITS / STD AAFE, AARE, WITH ARMREST**  
**With:** OPTION 02827, STD AAFE, AARE, WITH OPTION 2831

Key	PartNumber	Qty	Description	Comment
			BOSTROM ROUTEMASTER + AIR FOR AIR	OPT 2827
	1697606		SEAT,DR,BOST,RTMSTR+AIR,BROWN VINYL	ENDING WITH BSN B0256964, F0188893, L0018799, M0369415
	4328571		COVER ASSY,CUSH,BOST,OPT 2827,BRN VNYL"	
	4324224		COVER ASSY,HI-BK,BOST,OPT 2824&5&7,BRN	
	1860204		SEAT,DR,BOST,RTMSTR+AIR,BROWN VINYL	FROM BSN/B0256965, F0188894, L0018800, M0369414 TO BSN/B10032559, F10017549, L10027924, M10035639, X10007304
	4328571		COVER ASSY,CUSH,BOST,OPT 2827,BRN VNYL"	
	4324224		COVER ASSY,HI-BK,BOST,OPT 2824&5&7,BRN	
	0014178		SEAT,DR,BOST,RTMSTR+AIR,BROWN VINYL	BEGIN WITH BSN/B10032560, F10017550, L10027925, M10035640 X10007305
	4328571		COVER ASSY,CUSH,BOST,OPT 2827,BRN VNYL"	
	4324224		COVER ASSY,HI-BK,BOST,OPT 2824&5&7,BRN	
	1697614		SEAT,DR,BOST,RTMSTR+AIR,BRN VNL,FIRE RET	ENDING WITH BSN B0256964, F0188893, L0018799, M0369415
	4324273		COVER ASSY,HI-BK,BOST,OPT 2824&5,KEV	
	1860212		SEAT,DR,BOST,RTMSTR+AIR,BRN VNL,FIRE RET	FROM BSN/B0256965, F0188894, L0018800, M0369414 TO BSN/B10032559, F10017549, L10027924, M10035639, X10007304
	4324273		COVER ASSY,HI-BK,BOST,OPT 2824&5,KEV	
	0014179		SEAT,DR,BOST,RTMSTR+AIR,BRN VNL,FIRE RET	BEGIN WITH BSN/B10032560, F10017550, L10027925, M10035640, X10007305
	4324273		COVER ASSY,HI-BK,BOST,OPT 2824&5,KEV	
	0078685		SEAT,DRV,BOST,RTMSTR+AIR,BN,PRFM II	
	1697622		SEAT,DR,BOST,RTMSTR+AIR,BRN VNL / FABRIC	ENDING WITH BSN B0256964, F0188893, L0018799, M0369415

**Models:** AAFE, AARE, A3FE, A3RE, BBCV, C1FE, C4RE, CSFE, CSRE, GMCV, L3RE, L4RE, MBWB, SBCV, TCFE, TCRE, TSFE, T2RE  
**DRIVER'S SEAT**  
**BOSTROM ROUTEMASTER + AIRE SEAT ASSEMBLIES**  
**AIR BRAKE UNITS / STD AAFE, AARE, WITH ARMREST**  
**With:** OPTION 02827, STD AAFE, AARE, WITH OPTION 2831

Key	PartNumber	Qty	Description	Comment
	4325387		COVER ASSY,HI-BK,BOST,OPT 2824&25,BRN	
	1860220		SEAT,DR,BOST,RTMSTR+AIR,BRN VNL/FABRIC	<i>FROM BSN/B0256965, F0188894, L0018800, M0369414 TO BSN/B10032559, F10017549, L10027924, M10035639, X10007304</i>
	4325387		COVER ASSY,HI-BK,BOST,OPT 2824&25,BRN	
	4320834		COVER ASSY,CUSH,BOST,OPT 2825(27),BRN	
	0014180		SEAT,DR,BOST,RTMSTR+AIR,BRN VNL/FABRIC	<i>BEGIN WITH BSN/B10032560, F10017550, L10027925, M10035640, X10007305</i>
	4325387		COVER ASSY,HI-BK,BOST,OPT 2824&25,BRN	
	0078686		SEAT,DRV,BOST,RTMSTR+AIR,BN,PRFM II,	



**Models:** AAFE, AARE, A3FE, A3RE, BBCV, C1FE, C4RE, CSFE, CSRE, GMCV, L3RE, L4RE, MBWB, SBCV, TCFE, TCRE, TSFE, T2RE  
**DRIVER'S SEAT**  
**BOSTROM ROUTEMASTER + AIRE SEAT ASSEMBLIES**  
**AIR BRAKE UNITS / STD AAFE, AARE, WITH ARMREST**  
**With:** OPTION 02827, STD AAFE, AARE, WITH OPTION 2831

Key	PartNumber	Qty	Description	Comment
	1697630		SEAT,DR,BOST,RTMSTR+AIR,GREEN VINYL	ENDING WITHBSN B0256964, F0188893, L0018799, M0369415
	1697648		SEAT,DR,BOST,RTMSTR+AIR,GRN VNL,FIRE RET	
	1860246		SEAT,DR,BOST,RTMSTR+AIR,DK GRN VNL,FIRE	FROM BSN/B0256965, F0188894, L0018800, M0369414; TO BSN/B10032559, F10017549, L10027924, M10035639, X10007304
	4324265		COVER ASSY,HI-BK,BOST,OPT 2824&5,KEV	
	0014188		SEAT,DR,BOST,RTMSTR+AIR,DK GRN VNL,FIRE	BEGIN WITH BSN/B10032560, F10017550, L10027925, M10035640, X10007305
	4324265		COVER ASSY,HI-BK,BOST,OPT 2824&5,KEV	
	0078691		SEAT,DRV,BOST,RTMSTR+AIR,GN,PRFM II	
	1697655		SEAT,DR,BOST,RTMSTR+AIR,GRN VNL / FABRIC	ENDING WITH BSN B0256964, F0188893, L0018799, M0369415
	4318879		COVER ASSY,CUSH,DRI,BOST,OPT 2825,	
	4324232		COVER ASSY,HI-BK,BOST,OPT 2824&5&7,GRN	
	1697663		SEAT,DR,BOST,RTMSTR+AIR,BLACK VINYL	ENDING WITH BSN B0256964, F0188893, L0018799, M0369415
	1860261		SEAT,DR,BOST,RTMSTR+AIR,BLACK VINYL	FROM BSN/B0256965, F0188894, L0018800, M0369414; TO BSN/B10032559, F10017549, L10027924, M10035639, X10007304
	0014176		SEAT,DR,BOST,RTMSTR+AIR,BLACK VINYL	BEGIN WITH BSN/B10032560, F10017550, L10027925, M10035640, X10007305
	4315776		COVER ASSY.HI-BK,BOST.OPT.2824,5,7,BLK	
	0078681		SEAT,DRV,BOST,RTMSTR+AIR,BK,PRFM II	
	1697671		SEAT,DR,BOST,RTMSTR+AIR,BLK VNL / FABRIC	ENDING WITH BSN B0256964, F0188893, L0018799, M0369415
	1860279		SEAT,DR,BOST,RTMSTR+AIR,BLK VNL/FABRIC	FROM BSN/B0256965, F0188894, L0018800, M0369414; TO BSN/B10032559, F10017549, L10027924, M10035639,

**Models:** AAFE, AARE, A3FE, A3RE, BBCV, C1FE, C4RE, CSFE, CSRE, GMCV, L3RE, L4RE, MBWB, SBCV, TCFE, TCRE, TSFE, T2RE  
**DRIVER'S SEAT**  
**BOSTROM ROUTEMASTER + AIRE SEAT ASSEMBLIES**  
**AIR BRAKE UNITS / STD AAFE, AARE, WITH ARMREST**  
**With:** OPTION 02827, STD AAFE, AARE, WITH OPTION 2831

Key	PartNumber	Qty	Description	Comment
				X10007304
	4315800		COVER ASSY.HI-BK BOST.OPT. 2824 BLK	
	0014177		SEAT,DR,BOST,RTMSTR+AIR,BLK VNL/FABRIC	BEGIN WITH BSN/B10032560, F10017550, L10027925, M10035640, X10007305
	4315800		COVER ASSY.HI-BK BOST.OPT. 2824 BLK	
	0028037		COVER ASSY CUSH,DRI,BOST,BLACK VNYL	
	0078682		SEAT,DRV,BOST,RTMSTR+AIR,BK,PRFM II,	

**Models:** AAFE, AARE, A3FE, A3RE, BBCV, C1FE, C4RE, CSFE, CSRE, GMCV, L3RE, L4RE, MBWB, SBCV, TCFE, TCRE, TSFE, T2RE  
**DRIVER'S SEAT**  
**BOSTROM ROUTEMASTER + AIRE SEAT ASSEMBLIES**  
**AIR BRAKE UNITS / STD AAFE, AARE, WITH ARMREST**  
**With:** OPTION 02827, STD AAFE, AARE, WITH OPTION 2831

Key	PartNumber	Qty	Description	Comment
	0014184		SEAT,DR,BOST,RTMSTR+AIR,BURG VNL/FAB	BEGIN WITH BSN/B10032560, F10017550, L10027925, M10035640, X10007305
	8317422		COVER ASSY,CUSH,BURGUNDY,VINYL FAB"	
	8317448		COVER ASSY,BACK,DRVR,BOST,BURG,VINYL	
	8317950		COVER ASSY,BACK,DRVR,BOST,BURG KEV	
	0078687		SEAT,DRV,BOST,RTMSTR+AIR,BG,PRFM II	
	0078688		SEAT,DRV,BOST,RTMSTR+AIR,BG,PRFM II,	
	0002315		SEAT,DR,BOST,RTMSTR+AIR,BLUE VINYL	
	0014185		SEAT,DR,BOST,RTMSTR+AIR,BLUE VINYL	BEGIN WITH BSN/B10032560, F10017550, L10027925, M10035640, X10007305
	0002314		SEAT,DR,BOST,RTMSTR+AIR,BLUE VNL,FIRE	
	0014186		SEAT,DR,BOST,RTMSTR+AIR,BLUE VNL,FIRE	
	0078683		SEAT,DRV,BOST,RTMSTR+AIR,BL,PRFM II	BEGIN WITH BSN/B10032560, F10017550, L10027925, M10035640, X10007305
	0002312		SEAT,DR,BOST,RTMSTR+AIR,BLUE VNL/FABRIC	
	0014187		SEAT,DR,BOST,RTMSTR+AIR,BLUE VNL/FABRIC	BEGIN WITH BSN/B10032560, F10017550, L10027925, M10035640, X10007305
	0013504		COVER ASSY,CUSH,BOST.DVR, BLUE FABRIC	
	0013505		COVER ASSY,BACK,BOST.DVR, BLUE FABRIC	
	0057074		SEAT,DR,BOST,RTMSTR+AIR,BLUE KEV/FAB	
	0078684		SEAT,DRV,BOST,RTMSTR+AIR,BL,PRFM II,	
	0078857		SEAT,DRV,BOST,RTMSTR+AIR,TL,PRFM II	

**Models:** AAFE, AARE, A3FE, A3RE, BBCV, C1FE, C4RE, CSFE, CSRE, GMCV, L3RE, L4RE, MBWB, SBCV, TCFE, TCRE, TSFE, T2RE  
**DRIVER'S SEAT**  
**BOSTROM ROUTEMASTER + AIRE SEAT ASSEMBLIES**  
**HYDRAULIC UNITS, WITH ARMREST**  
**With: OPTION 02827, WITH OPTION 2831**

Key	PartNumber	Qty	Description	Comment
			BOSTROM ROUTEMASTER + AIR FOR	OPT 2827
	1697689		SEAT,DR,BOST,RTMSTR+AIR,HYD,BROWN	END WITH BSN B10032559, F10017549, L10027924, M10035639, X10007304
	4328571		COVER ASSY,CUSH,BOST,OPT 2827,BRN VNYL"	
	4324224		COVER ASSY,HI-BK,BOST,OPT 2824&5&7,BRN	
	0014192		SEAT,DR,BOST,RTMSTR+AIR,HYD,BROWN	BEG WITH BSN B10032560, F10017550, L10027925, M10035640, X10007305
	4328571		COVER ASSY,CUSH,BOST,OPT 2827,BRN VNYL"	
	4324224		COVER ASSY,HI-BK,BOST,OPT 2824&5&7,BRN	
	1697697		SEAT,DR,BOST,RTMSTR+AIR,HYD,BRN VNL,	END WITH BSN B10032559, F10017549, L10027924, M10035639, X10007304
	4321923		COVER ASSY,CUSH,BOST,OPT2825 & 27,KEV	
	4324273		COVER ASSY,HI-BK,BOST,OPT 2824&5,KEV	
	0014193		SEAT,DR,BOST,RTMSTR+AIR,HYD,BRN VNL,	BEG WITH BSN B10032560, F10017550, L10027925, M10035640, X10007305
	4321923		COVER ASSY,CUSH,BOST,OPT2825 & 27,KEV	
	4324273		COVER ASSY,HI-BK,BOST,OPT 2824&5,KEV	
	0078709		SEAT,DRV,BOST,RTMSTR+AIR,HYD,BN,PRFM II	
	1697705		SEAT,DR,BOST,RTMSTR+AIR,HYD,BRN VNL	END WITH BSN B10032559, F10017549, L10027924, M10035639, X10007304
	0014194		SEAT,DR,BOST,RTMSTR+AIR,HYD,BRN	BEG WITH BSN B10032560, F10017550, L10027925, M10035640, X10007305
	4320834		COVER ASSY,CUSH,BOST,OPT 2825(27),BRN	
	4325387		COVER ASSY,HI-BK,BOST,OPT 2824&25,BRN	
	0078710		SEAT,DRV,BOST,RTMSTR+AIR,HYD,BN,PRFM II,	

**Models:** AAFE, AARE, A3FE, A3RE, BBCV, C1FE, C4RE, CSFE, CSRE, GMCV, L3RE, L4RE, MBWB, SBCV, TCFE, TCRE, TSFE, T2RE  
**DRIVER'S SEAT**  
**BOSTROM ROUTEMASTER + AIRE SEAT ASSEMBLIES**  
**HYDRAULIC UNITS, WITH ARMREST**  
**With: OPTION 02827, WITH OPTION 2831**

Key	PartNumber	Qty	Description	Comment
	0002316		SEAT,DR,BOST,RTMSTR+AIR,HYD,BURGUNDY	END WITH BSN B10032559, F10017549, L10027924, M10035639, X10007304
	0014195		SEAT,DR,BOST,RTMSTR+AIR,HYD,BURGUNDY	BEG WITH BSN B10032560, F10017550, L10027925, M10035640, X10007305
	0002318		SEAT,DR,BOST,RTMSTR+AIR,HYD,BURG VNL,	END WITH BSN B10032559, F10017549, L10027924, M10035639, X10007304
	8317950		COVER ASSY,BACK,DRVR,BOST,BURG KEV	
	0014196		SEAT,DR,BOST,RTMSTR+AIR,HYD,BURG VNL,	BEG WITH BSN B10032560, F10017550, L10027925, M10035640, X10007305
	0017168		COVER CUSH BOST, OPT 2827 BURG KEV	
	0017166		COVER ASSY HI BK, BOST 2827 BURG KEV	
	0078711		SEAT,DRV,BOST,RTMSTR+AIR,HYD,BG,PRFM II	
	0002320		SEAT,DR,BOST,RTMSTR+AIR,HYD,BURG	END WITH BSN B10032559, F10017549, L10027924, M10035639, X10007304
	8317448		COVER ASSY,BACK,DRVR,BOST,BURG,VINYL	
	0014197		SEAT,DR,BOST,RTMSTR+AIR,HYD,BURG	BEG WITH BSN B10032560, F10017550, L10027925, M10035640, X10007305
	0078712		SEAT,DRV,BOST,RTMSTR+AIR,HYD,BG,PRFM II,	

**Models:** AAFE, AARE, A3FE, A3RE, BBCV, C1FE, C4RE, CSFE, CSRE, GMCV, L3RE, L4RE, MBWB, SBCV, TCFE, TCRE, TSFE, T2RE  
**DRIVER'S SEAT**  
**BOSTROM ROUTEMASTER + AIRE SEAT ASSEMBLIES**  
**HYDRAULIC UNITS, WITH ARMREST**  
**With: OPTION 02827, WITH OPTION 2831**

Key	PartNumber	Qty	Description	Comment
	0002317		SEAT,DR,BOST,RTMSTR+AIR,HYD,BLUE VINYL	ENDING WITH BSN B10032559, F10017549, L10027924, M10035639, X10007304
	0014198		SEAT,DR,BOST,RTMSTR+AIR,HYD,BLUE VINYL	BEGIN WITH BSN B10032560, F10017550, L10027925, M10035640, X10007305
	0002319		SEAT,DR,BOST,RTMSTR+AIR,HYD,BLUE VNL,	ENDING WITH BSN B10032559, F10017549, L10027924, M10035639, X10007304
	0014199		SEAT,DR,BOST,RTMSTR+AIR,HYD,BLUE VNL,	BEGIN WITH BSN B10032560, F10017550, L10027925, M10035640, X10007305
	0078707		SEAT,DRV,BOST,RTMSTR+AIR,HYD,BL,PRFM II	
	0002321		SEAT,DR,BOST,RTMSTR+AIR,HYD,BLUE	ENDING WITH BSN/B10032559, F10017549, L10027924, M10035639, X10007304
	0014200		SEAT,DR,BOST,RTMSTR+AIR,HYD,BLUE	BEGIN WITH BSN/B10032560, F10017550, L10027925, M10035640, X10007305
	0078708		SEAT,DRV,BOST,RTMSTR+AIR,HYD,BL,PRFM II,	
	1697721		SEAT,DR,BOST,RTMSTR+AIR,HYD,DK GRN VNL,	ENDING WITH BSN/B10032559, F10017549, L10027924, M10035639, X10007304
	4322087		COVER ASSY,CUSH,BOST,OPT 2825,KEV GRN,	
	4324232		COVER ASSY,HI-BK,BOST,OPT 2824&5&7,GRN	
	0014201		SEAT,DR,BOST,RTMSTR+AIR,HYD,DK GRN VNL,	BEGIN WITH BSN/B10032560, F10017550, L10027925, M10035640, X10007305
	4322087		COVER ASSY,CUSH,BOST,OPT 2825,KEV GRN,	
	4324265		COVER ASSY,HI-BK,BOST,OPT 2824&5,KEV	
	0078715		SEAT,DRV,BOST,RTMSTR+AIR,HYD,GN,PRFM II	
	1697747		SEAT,DR,BOST,RTMSTR+AIR,HYD,BLACK VINYL	ENDING WITH BSN/B10032559, F10017549, L10027924, M10035639, X10007304)
	0014189		SEAT,DR,BOST,RTMSTR+AIR,HYD,BLACK VINYL	ENDING WITH BSN/B10032559, F10017549, L10027924,

**Models:** AAFE, AARE, A3FE, A3RE, BBCV, C1FE, C4RE, CSFE, CSRE, GMCV, L3RE, L4RE, MBWB, SBCV, TCFE, TCRE, TSFE, T2RE  
**DRIVER'S SEAT**  
**BOSTROM ROUTEMASTER + AIRE SEAT ASSEMBLIES**  
**HYDRAULIC UNITS, WITH ARMREST**  
**With: OPTION 02827, WITH OPTION 2831**

Key	PartNumber	Qty	Description	Comment
				M10035639, X10007304)
	4315776		COVER ASSY.HI-BK,BOST.OPT.2824,5,7,BLK	
	0078705		SEAT,DRV,BOST,RTMSTR+AIR,HYD,BK,PRFM II	
	1697754		SEAT,DR,BOST,RTMSTR+AIR,HYD,BLK VNL	1217218-431, ENDING WITH BSN/B10032559, F10017549, L10027924, M10035639, X10007304
	0064632		CUSHION ASSY,UPPER,BLACK VINYL&CLOTH,	
	0014190		SEAT,DR,BOST,RTMSTR+AIR,HYD,BLK	1239409-431, BEGIN WITH BSN/B10032560, F10017550, L10027925, M10035640, X10007305
	0064632		CUSHION ASSY,UPPER,BLACK VINYL&CLOTH,	
	4319620		COVER ASSY,CUSH,BOST,OPT2825(27),BLK	
	4315800		COVER ASSY.HI-BK BOST.OPT. 2824 BLK	
	0078706		SEAT,DRV,BOST,RTMSTR+AIR,HYD,BK,PRFM II,	
	0078859		SEAT,DRV,BOST,RTMSTR+AIR,HYD,TL,PRFM II	

**Models:** AAFE, AARE, A3FE, A3RE, BBCV, C1FE, C4RE, CSFE, CSRE, GMCV, L3RE, L4RE, MBWB, SBCV, TCFE, TCRE, TSFE, T2RE  
**DRIVER'S SEAT**  
**BOSTROM ROUTEMASTER + AIRE SEAT ASSEMBLIES**  
**HYDRAULIC UNITS, WITH ARMREST**  
**With: OPTION 02827 WITH OPTION 2831**

Key	PartNumber	Qty	Description	Comment
			BOSTROM ROUTEMASTER + AIR FOR	OPTION 2827
	1697689		SEAT,DR,BOST,RTMSTR+AIR,HYD,BROWN	ENDING WITH BSN/B10032559, F10017549, L10027924, M10035639, X10007304
	4328571		COVER ASSY,CUSH,BOST,OPT 2827,BRN VNYL"	
	4324224		COVER ASSY,HI-BK,BOST,OPT 2824&5&7,BRN	
	0014192		SEAT,DR,BOST,RTMSTR+AIR,HYD,BROWN	BEGIN WITH BSN/B10032560, F10017550, L10027925, M10035640, X10007305
	4328571		COVER ASSY,CUSH,BOST,OPT 2827,BRN VNYL"	
	4324224		COVER ASSY,HI-BK,BOST,OPT 2824&5&7,BRN	
	1697697		SEAT,DR,BOST,RTMSTR+AIR,HYD,BRN VNL,	ENDING WITH BSN/B10032559, F10017549, L10027924, M10035639, X10007304
	4321923		COVER ASSY,CUSH,BOST,OPT2825 & 27,KEV	
	4324273		COVER ASSY,HI-BK,BOST,OPT 2824&5,KEV	
	0014193		SEAT,DR,BOST,RTMSTR+AIR,HYD,BRN VNL,	BEGIN WITH BSN/B10032560, F10017550, L10027925, M10035640, X10007305
	4321923		COVER ASSY,CUSH,BOST,OPT2825 & 27,KEV	
	4324273		COVER ASSY,HI-BK,BOST,OPT 2824&5,KEV	
	0078709		SEAT,DRV,BOST,RTMSTR+AIR,HYD,BN,PRFM II	
	1697705		SEAT,DR,BOST,RTMSTR+AIR,HYD,BRN VNL	ENDING WITH BSN/B10032559, F10017549, L10027924, M10035639, X10007304
	0014194		SEAT,DR,BOST,RTMSTR+AIR,HYD,BRN	BEGIN WITH BSN/B10032560, F10017550, L10027925, M10035640, X10007305
	4320834		COVER ASSY,CUSH,BOST,OPT 2825(27),BRN	
	4325387		COVER ASSY,HI-BK,BOST,OPT 2824&25,BRN	
	0078710		SEAT,DRV,BOST,RTMSTR+AIR,HYD,BN,PRFM II,	



**Models:** AAFE, AARE, A3FE, A3RE, BBCV, C1FE, C4RE, CSFE, CSRE, GMCV, L3RE, L4RE, MBWB, SBCV, TCFE, TCRE, TSFE, T2RE  
**DRIVER'S SEAT**  
**BOSTROM ROUTEMASTER + AIRE SEAT ASSEMBLIES**  
**HYDRAULIC UNITS, WITH ARMREST**  
**With: OPTION 02827 WITH OPTION 2831**

Key	PartNumber	Qty	Description	Comment
	0002316		SEAT,DR,BOST,RTMSTR+AIR,HYD,BURGUNDY	END WITH BSN/B10032559, F10017549, L10027924, M10035639, X10007304
	0014195		SEAT,DR,BOST,RTMSTR+AIR,HYD,BURGUNDY	BEGIN WITH BSN/B10032560, F10017550, L10027925, M10035640, X10007305
	0002318		SEAT,DR,BOST,RTMSTR+AIR,HYD,BURG VNL,	ENDING WITH BSN/B10032559, F10017549, L10027924, M10035639, X10007304
	8317950		COVER ASSY,BACK,DRVR,BOST,BURG KEV	
	0014196		SEAT,DR,BOST,RTMSTR+AIR,HYD,BURG VNL,	BEGIN WITH BSN/B10032560, F10017550, L10027925, M10035640, X10007305
	0017168		COVER CUSH BOST, OPT 2827 BURG KEV	
	0017166		COVER ASSY HI BK, BOST 2827 BURG KEV	
	0078711		SEAT,DRV,BOST,RTMSTR+AIR,HYD,BG,PRFM II	
	0002320		SEAT,DR,BOST,RTMSTR+AIR,HYD,BURG	ENDING WITH BSN/B10032559, F10017549, L10027924, M10035639, X10007304
	8317448		COVER ASSY,BACK,DRVR,BOST,BURG,VINYL	
	0014197		SEAT,DR,BOST,RTMSTR+AIR,HYD,BURG	BEGIN WITH BSN/B10032560, F10017550, L10027925, M10035640, X10007305
	8317950		COVER ASSY,BACK,DRVR,BOST,BURG KEV	
	0078712		SEAT,DRV,BOST,RTMSTR+AIR,HYD,BG,PRFM II,	

**Models:** AAFE, AARE, A3FE, A3RE, BBCV, C1FE, C4RE, CSFE, CSRE, GMCV, L3RE, L4RE, MBWB, SBCV, TCFE, TCRE, TSFE, T2RE  
**DRIVER'S SEAT**  
**BOSTROM ROUTEMASTER + AIRE SEAT ASSEMBLIES**  
**HYDRAULIC UNITS, WITH ARMREST**  
**With:** OPTION 02827 WITH OPTION 2831


Key	PartNumber	Qty	Description	Comment
	0002317		SEAT,DR,BOST,RTMSTR+AIR,HYD,BLUE VINYL	ENDING WITH BSN/B10032559, F10017549, L10027924, M10035639, X10007304
	0014198		SEAT,DR,BOST,RTMSTR+AIR,HYD,BLUE VINYL	BEGIN WITH BSN/B10032560, F10017550, L10027925, M10035640, X10007305
	0002319		SEAT,DR,BOST,RTMSTR+AIR,HYD,BLUE VNL,	ENDING WITH BSN/B10032559, F10017549, L10027924, M10035639, X10007304
	0014199		SEAT,DR,BOST,RTMSTR+AIR,HYD.BLUE VNL,	BEGIN WITH BSN/B10032560, F10017550, L10027925, M10035640, X10007305
	0078707		SEAT,DRV,BOST,RTMSTR+AIR,HYD,BL,PRFM II	
	0002321		SEAT,DR,BOST,RTMSTR+AIR,HYD,BLUE	ENDING WITH BSN/B10032559, F10017549, L10027924, M10035639, X10007304
	0014200		SEAT,DR,BOST,RTMSTR+AIR,HYD,BLUE	BEGIN WITH BSN/B10032560, F10017550, L10027925, M10035640, X10007305
	0078708		SEAT,DRV,BOST,RTMSTR+AIR,HYD,BL,PRFM II,	
	1697721		SEAT,DR,BOST,RTMSTR+AIR,HYD,DK GRN VNL,	ENDING WITH BSN/B10032559, F10017549, L10027924, M10035639, X10007304
	4322087		COVER ASSY,CUSH,BOST,OPT 2825,KEV GRN,	
	4324232		COVER ASSY,HI-BK,BOST,OPT 2824&5&7,GRN	
	0014201		SEAT,DR,BOST,RTMSTR+AIR,HYD,DK GRN VNL,	BEGIN WITH BSN/B10032560, F10017550, L10027925, M10035640, X10007305
	4322087		COVER ASSY,CUSH,BOST,OPT 2825,KEV GRN,	
	4324265		COVER ASSY,HI-BK,BOST,OPT 2824&5,KEV	
	0078715		SEAT,DRV,BOST,RTMSTR+AIR,HYD,GN,PRFM II	
	1697747		SEAT,DR,BOST,RTMSTR+AIR,HYD,BLACK VINYL	ENDING WITH BSN/B10032559, F10017549, L10027924, M10035639, X10007304
	0014189		SEAT,DR,BOST,RTMSTR+AIR,HYD,BLACK VINYL	BEGIN WITH BSN/B10032560, F10017550, L10027925,

**Models:** AAFE, AARE, A3FE, A3RE, BBCV, C1FE, C4RE, CSFE, CSRE, GMCV, L3RE, L4RE, MBWB, SBCV, TCFE, TCRE, TSFE, T2RE  
**DRIVER'S SEAT**  
**BOSTROM ROUTEMASTER + AIRE SEAT ASSEMBLIES**  
**HYDRAULIC UNITS, WITH ARMREST**  
**With:** **OPTION 02827 WITH OPTION 2831**

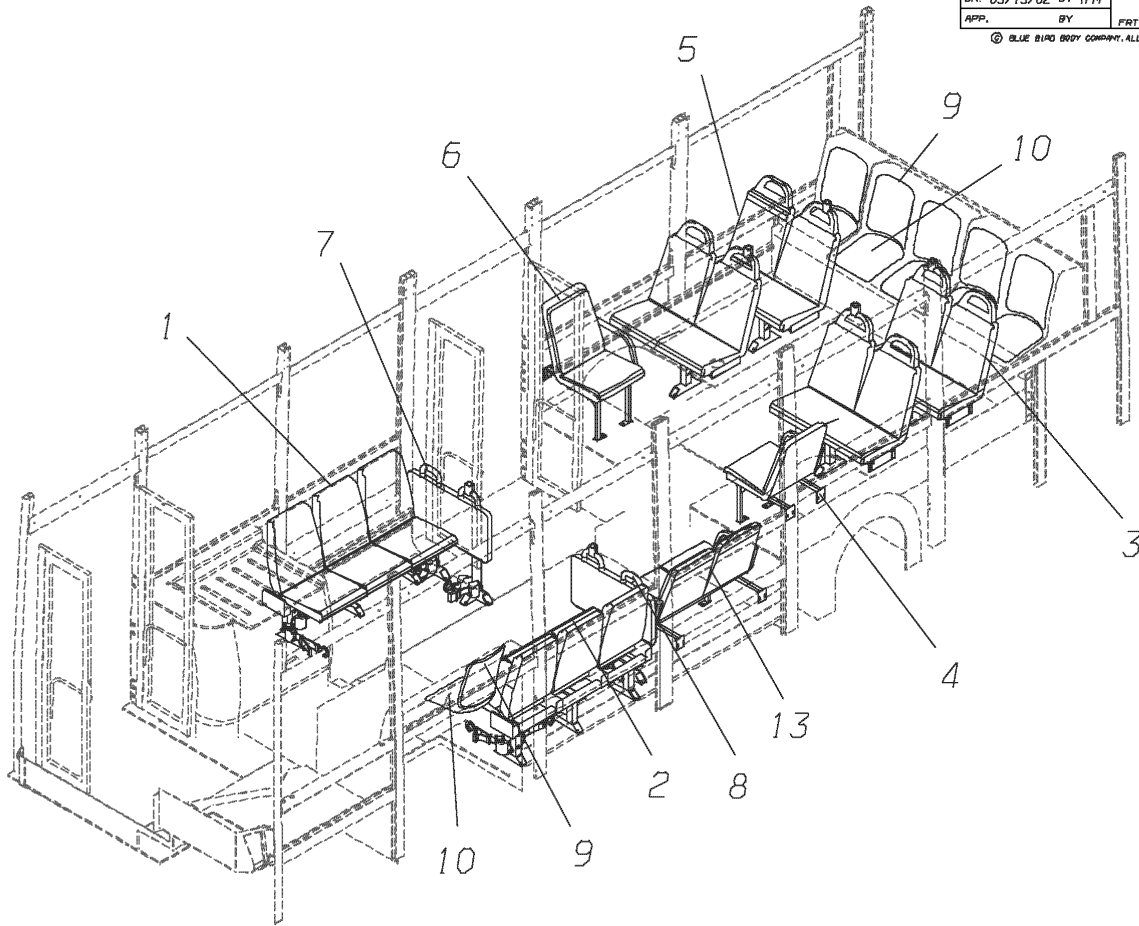
Key	PartNumber	Qty	Description	Comment
				M10035640, X10007305
	4315776		COVER ASSY.HI-BK,BOST.OPT.2824,5,7,BLK	
	0078705		SEAT,DRV,BOST,RTMSTR+AIR,HYD,BK,PRFM II	
	1697754		SEAT,DR,BOST,RTMSTR+AIR,HYD,BLK VNL	1217218-431 ENDING WITH BSN/B10032559, F10017549, L10027924, M10035639, X10007304
	0064632		CUSHION ASSY,UPPER,BLACK VINYL&CLOTH,	
	0014190		SEAT,DR,BOST,RTMSTR+AIR,HYD,BLK	1239409-431; BEGIN WITH BSN/B10032560, F10017550, L10027925, M10035640, X10007305
	0064632		CUSHION ASSY,UPPER,BLACK VINYL&CLOTH,	
	4319620		COVER ASSY,CUSH,BOST,OPT2825(27),BLK	
	4315800		COVER ASSY.HI-BK BOST.OPT. 2824 BLK	BEGIN WITH BSN/B10032560, F10017550, L10027925, M10035640, X10007305
	0078706		SEAT,DRV,BOST,RTMSTR+AIR,HYD,BK,PRFM II,	
	0078859		SEAT,DRV,BOST,RTMSTR+AIR,HYD,TL,PRFM II	

**Models:** L4RE  
**PASSENGER SEATING**  
**SEAT KIT**  
**30 FT SALOON SEATING**

Key	PartNumber	Qty	Description	Comment
-----	------------	-----	-------------	---------

DR. 05/15/02 BY TFM	4760451	A	
APP. BY	FRT	REV	

© BLUE BIRD BODY COMPANY. ALL RIGHTS RESERVED




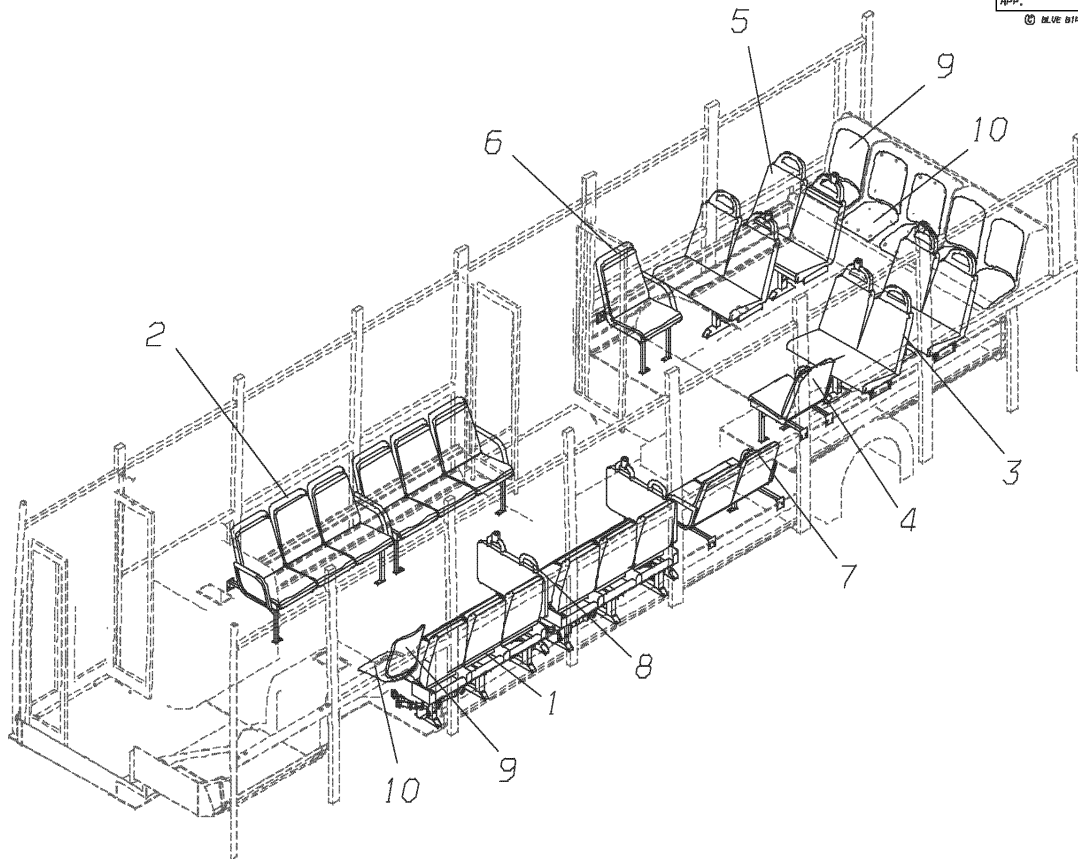
**Models:** L4RE  
**PASSENGER SEATING**  
**SEAT KIT**  
**30 FT SALOON SEATING**

Key	PartNumber	Qty	Description	Comment
			30 FT SALOON SEATING	
1	4758831		SEAT TREBLE TIP-UP PR RH FS CS	
2	4758832		SEAT TREBLE TIP-UP PR LH FS CS	
3	4758827	2	SEAT DOUBLE FW LH FS CS	
4	4760455		SEAT SINGLE PERI LH FS CS	
5	4758826	2	SEAT DOUBLE FW RH FS CS	
6	4758824		SEAT SINGLE PR RH FS CS	
7	4758833		WHEELCHAIR BARRIER RH FS	
8	4758834		WHEELCHAIR BARRIER LH FS	
9	4758838	6	SEAT PAD BACK	
10	4758839	6	SEAT PAD BASE	
11	4758835		WHEELCHAIR TIE DOWN KIT RH FS	
12	4758836		WHEELCHAIR TIE DOWN KIT LH FS	
13	4760456		SEAT DOUBLE PERI FS CS	
NI	4760261		TEE BOLT	

**Models:** L4RE  
**PASSENGER SEATING**  
**SEAT KIT**  
**35 FT SALOON SEATING**

Key	PartNumber	Qty	Description	Comment
-----	------------	-----	-------------	---------

DR. 05/15/02	BY TFM			
APP.	BY	PRT	4760536	A REV
© BLUE BIRD BODY COMPANY. ALL RIGHTS RESERVED				



**Models:** L4RE  
**PASSENGER SEATING**  
**SEAT KIT**  
**35 FT SALOON SEATING**

Key	PartNumber	Qty	Description	Comment
			35 FT SALOON SEATING	
1	4758832	2	SEAT TREBLE TIP-UP PR LH FS CS	
2	4760537	2	SEAT,TREBLE PERI,FC CS	
3	4758827	2	SEAT DOUBLE FW LH FS CS	
4	4760455		SEAT SINGLE PERI LH FS CS	
5	4758826	2	SEAT DOUBLE FW RH FS CS	
6	4758824		SEAT SINGLE PR RH FS CS	
7	4760456		SEAT DOUBLE PERI FS CS	
8	4758834	2	WHEELCHAIR BARRIER LH FS	
9	4758838	6	SEAT PAD BACK	
10	4758839	6	SEAT PAD BASE	
11	4758836	2	WHEELCHAIR TIE DOWN KIT LH FS	
NI	4760261		TEE BOLT	