

Body

410 Stop Arms & Destination Signs

DESTINATION SIGN

FRONT

1

From BSN F30050210

FRONT SIDE, AND REAR KITS

2

From BSN F30050210

3

FRONT SIGN LIGHT INSTALLATION

With: FEATURE 31140-05, -08

4

REAR

5

SIDE


6

From BSN F30050210

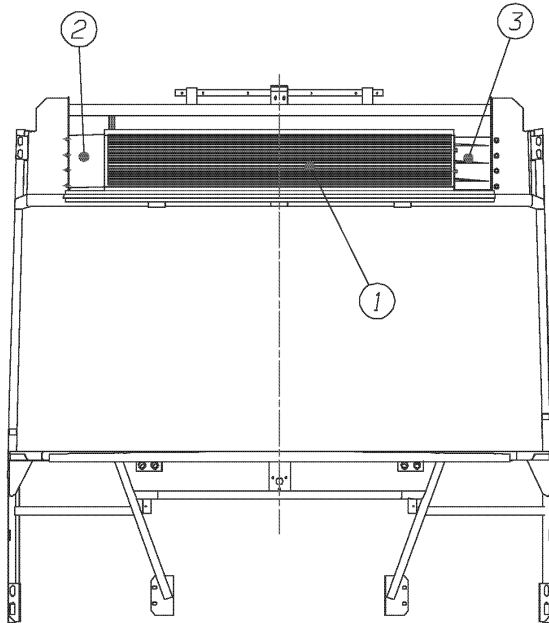
7

Models: **L4RE
DESTINATION SIGN
FRONT**

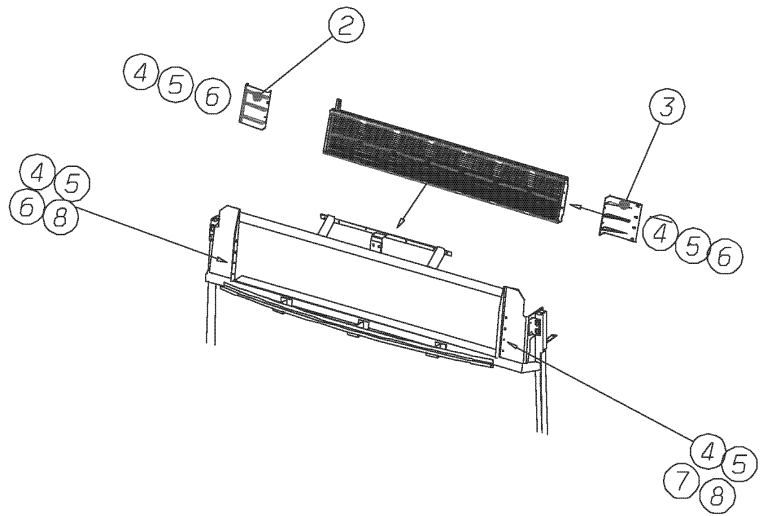
Key	PartNumber	Qty	Description	Comment
-----	------------	-----	-------------	---------

DR. 1-13-03	BY MC	4761509	A	
APP.	BY FRT	REV.		

© BLUE BIRD BODY COMPANY. ALL RIGHTS RESERVED



FRONT VIEW

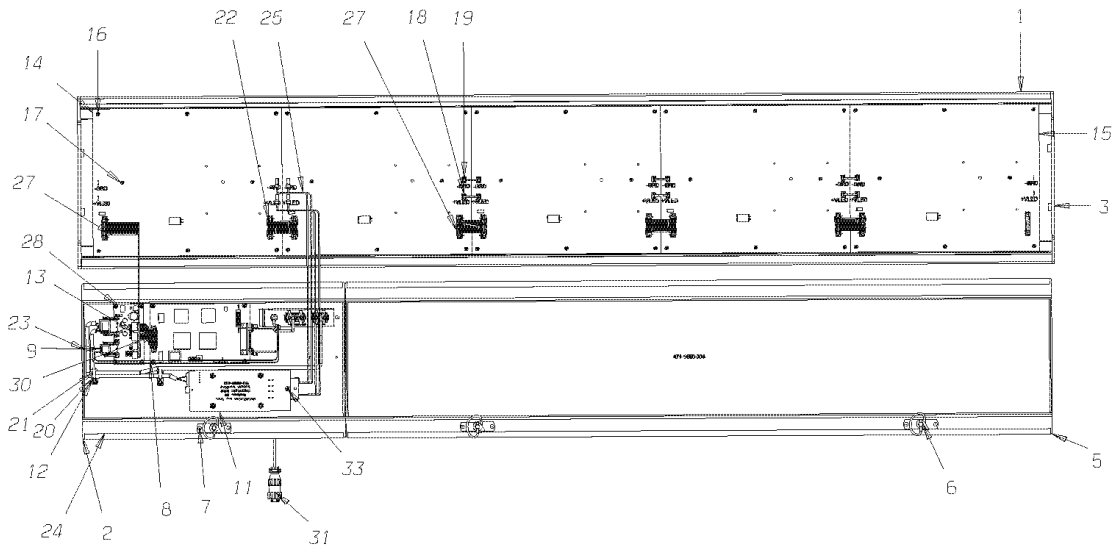


Models: L4RE
 DESTINATION SIGN
 FRONT

Key	PartNumber	Qty	Description	Comment
1	4759039		DESTINATION FRONT-TWIN VISION	<i>ENDING WITH BSN F30050209</i>
2	4760228		BRACKET FRONT DESTINATION RH-TWIN	
3	4760227		BRACKET FRONT DESTINATION LH-TWIN	
4	0971739	12	CAPSCREW,HX HD,M8-1.25X20,CL 8.8,	
5	4755200	12	WASHER,M8,INT S PROOF,ZY	
6	2001048	8	WASHER,FLAT,11/32 X 11/16 X 1/16,YEL	
7	1078922	4	WASHER,FLAT,3/8 X 7/8 X 5/64,YEL ZN DICH	
8	1030998	8	NUT,HEX HD,M8-1.25,ZINC	

Models: L4RE
DESTINATION SIGN
FRONT
BSN: From BSN F30050210

Key	PartNumber	Qty	Description	Comment
-----	------------	-----	-------------	---------



Models: L4RE
DESTINATION SIGN
FRONT
BSN: From BSN F30050210

Key	PartNumber	Qty	Description	Comment
1			EXTRUSION, MACHINES, 16 X 160 LED SIGN	
2			COVER, REAR, MTG, P/S& CONTROLLER,	PARTIAL
3			PLATE, END, LARGE, RIGHT/LEFT.1600 SERIES	
4		2	SCREW, NO 8X1IN FLAT HEADED, PHILLIPS	
5		8	COVER, REAR, 16X160-13MM LED FRONT SIGN	PARTIAL SECTION
6		3	ADJ GRIP LATCH, MIDGET SIZE, TOOLHEAD	
7		6	RIVET, 1/8IN DIA. BY 1/8IN LONG STAINLESS	
8	0107543		CONTROLLER,SIGN,FRONT,TWINVISION	
9	0107547		CONVERTER,SIGN,FRONT,TWINVISION	
10			R/O THERMAL PAD	
11	0107546		POWER SUPPLY,SIGN,FRONT,TWINVISION	
12		6	LOCKNUT, NO6-32 STAINLESS STEEL WITH	
13			CABLE, USCU TO CONVERTOR, 4IN LONG	
14	0107548		BOARD,SIGN,DISPLAY,FRONT,TWINVISION	
15	0107550	4	BOARD,SIGN,DISPLAY,FRONT,TWINVISION W/O	
16		30	MACHINE SCREW, M3X12MM. PHILLIPS	
17		10	SCREW, NO4-40X 3/8IN, MACHINE, PAN HEAD	
18		3	POWER CABLE, FASTON, JUMPER FOR BOARD	
19		3	POWER CABLE, FASTON TO FASTON,JUMPER	
20			RIVET,1/8IN DIA. BY 1/8IN LONG STAINLESS	
21		2	MOUNT,CABLE TIE ANCHOR, SCREW MOUNT	
22		4	TIE,CABLE, 4IN NYLON	BLACK
23		4	CABLE,INTERNAL, 16 POSITION RIBBON,	

Models: L4RE
**DESTINATION SIGN
 FRONT**
BSN: From BSN F30050210

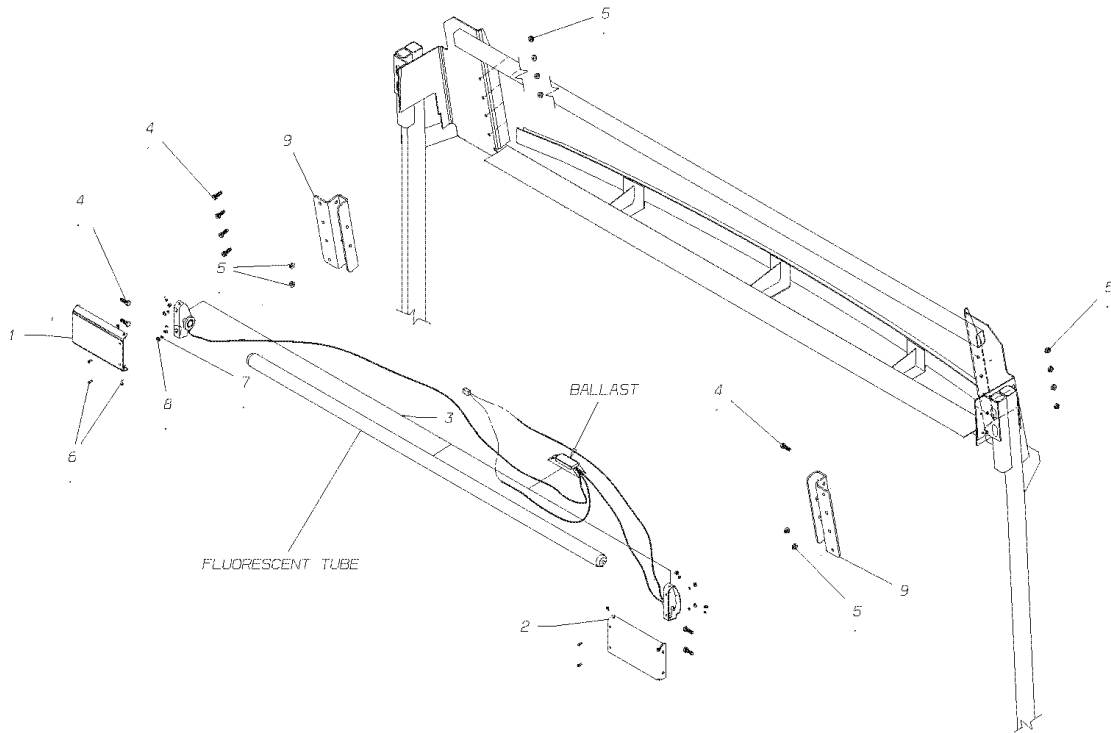
Key	PartNumber	Qty	Description	Comment
24			CABLE ASSEMBLY, W/O FERRITE INTERNAL	
25		12	STRIP, NEOPRENE, ADHESIVE BACK BLACK,	
26			CABL ASSEMBLY,+4V TO DISPLAY SB50	
27		9	CLIP,RETAINING,FOR.RIBBON CABLE	
28			CABLE, RIBBON, CONVERTOR BOARD ALL LED	
29		8	SCREW,.NO6-32X5/6IN, MACHINE,.PAN.HD.	
30			CLIP,.RETAINING, FOR RIBBON CABLE	
31			SERIAL NUMBER LABEL,16X160-13MM LED	
32			CABLE ASSEMBLY, FRONT SIGN INPUT SIGNAL	

Models: L4RE
**DESTINATION SIGN
 FRONT SIDE, AND REAR KITS**
BSN: From BSN F30050210

Key	PartNumber	Qty	Description	Comment
	0058857		KIT,SIGN,FRONT,TWINVISION, L4RE	
	0058450		KIT,SIGN,FRT,TWIN VIS,CHROMA 1, L4RE	
	0058451		KIT,SIGN,FRT,TWIN VIS,CHROMA 4, L4RE	
	0049546		HARNES,WRG,DEST SIGN,FRONT, C4RE,L4RE KIT, SIGN, FRONT AND SIDE	
	0085456		PLATE,SUPT,ROOF,BOW TO FRT STRUC,	
	0058454		KIT,SIGN,FRT & SIDE,TWIN VIS,CHROMA 1,	
	0058455		KIT,SIGN,FRT & SIDE,TWIN VIS,CHROMA 4,	
	0049547		HARNES,WRG,DEST SIGN,FRONT,SIDE, C4RE, KIT, SIGN, FRONT, SIDE, AND REAR	
	0058457		KIT,SIGN,FRONT,SIDE & REAR,TWINVISION,	
	0058452		KIT,SIGN,FRT,SIDE&RR,TWIN VIS,CHROMA 1	
	0058453		KIT,SIGN,FRT,SIDE&RR,TWIN VIS,CHROMA 4	
	0049548		HARNES,WRG,DEST SIGN,FRONT,SI,RR,C4RE,	
	0066905		MODULE,CONTROL,OPER,UNIT,(906-1708-TV1	

Models: L4RE
DESTINATION SIGN
FRONT SIGN LIGHT INSTALLATION
With: FEATURE 31140-05, -08

Key	PartNumber	Qty	Description	Comment
-----	------------	-----	-------------	---------



Models: L4RE
DESTINATION SIGN
FRONT SIGN LIGHT INSTALLATION
With: FEATURE 31140-05, -08


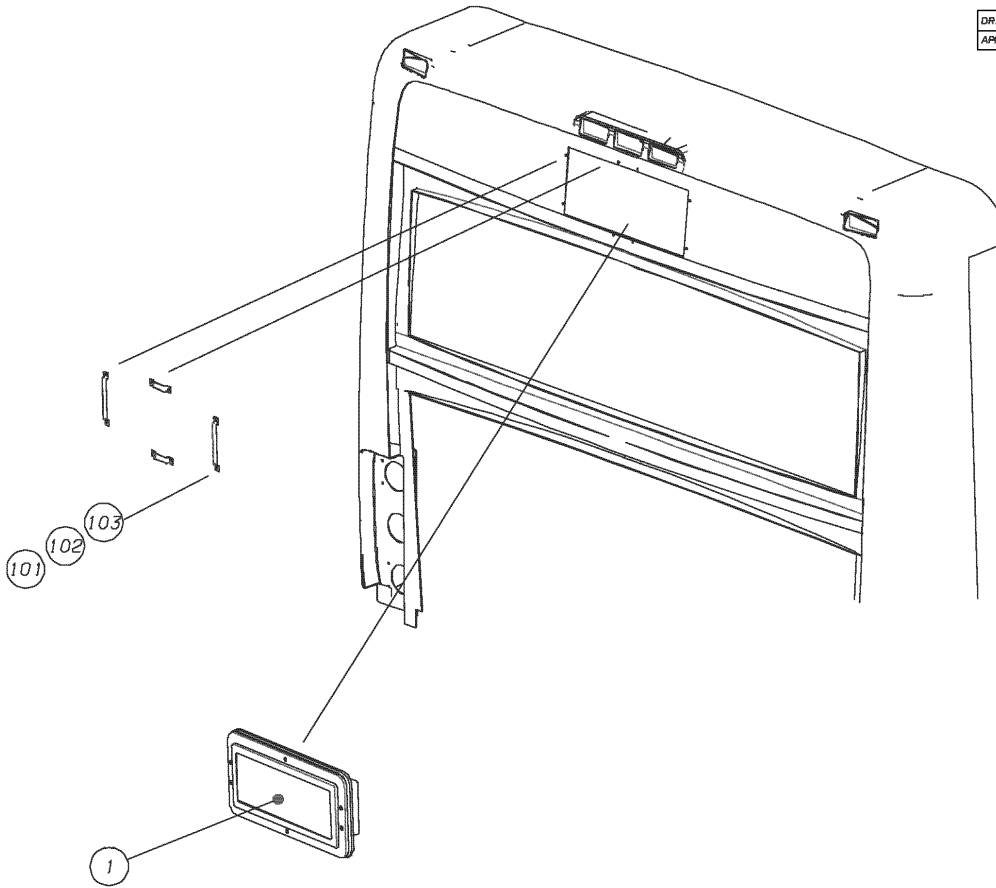
Key	PartNumber	Qty	Description	Comment
1	0051802		BRACKET,MTG,LIGHTING,SIGN,FRONT,LH, C4RE	
2	0051803		BRACKET,MTG,LIGHTING,SIGN,FRONT,RH,	
3	0051800		KIT,LIGHTING,SIGN,FRONT,FLR,PRETORIA,	
4	1435023	12	CAPSCREW,HEX HD,5/16-18, X, 3/4,GR5,	
5	0829390	12	NUT,HEX HD,5/16-18,SER WASHER,YEL ZN	
6	2000750	8	SCREW,MACH,10-24 X 1/2,PH1,RD HD,YEL	
7	2001162	8	LOCKWASHER,SPLIT RING, 3/16,MED,YEL ZN	
8	2001279	8	NUT,HEX HD,10-24,YEL ZN DICH"	
9	0060210	2	BRACKET,MTG,LIGHTING,SIGN,FRONT, L4RE	

Models: **L4RE
DESTINATION SIGN
REAR**

Key	PartNumber	Qty	Description	Comment
-----	------------	-----	-------------	---------

DR.	1-13-03	BY	MC				
APP.		BY		FRT	4761685	A	REV

© BLUE BIRD BODY COMPANY. ALL RIGHTS RESERVED

Models: L4RE
 DESTINATION SIGN
 REAR


Key	PartNumber	Qty	Description	Comment
1	4759041		DESTINATION REAR-TWIN VISION	<i>ENDING WITH BSN F30050209</i>
10	0977132	8	CAPSCREW,HEX HD,1/4-20 X 3/4,GR 5,YEL	
10	0052304	8	WASHER,FLAT,1/4 ZINC PLATED GR5	
10	1465947	8	NUT,HEX HD,1/4-20,LK,NYLON INSERT,YEL	

Models: L4RE
DESTINATION SIGN
SIDE

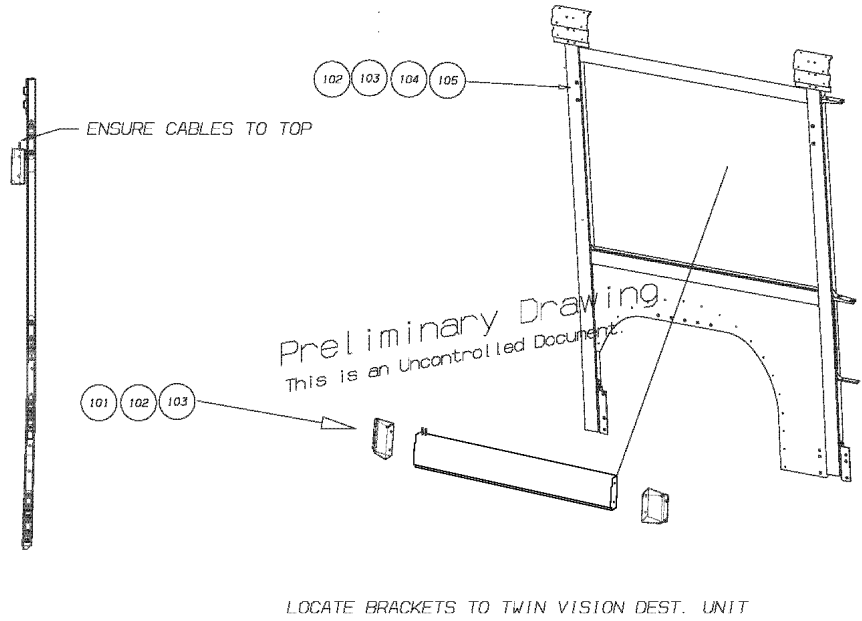
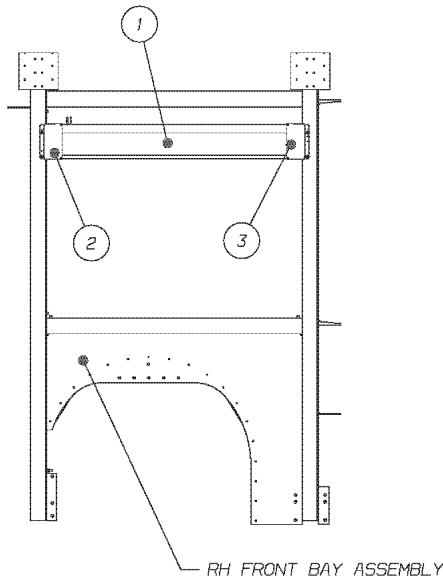
Key	PartNumber	Qty	Description	Comment
-----	------------	-----	-------------	---------

DR. 05/05/05	BY NFR			
APP.	BY	FRT	4371532	B REV

© BLUE BIRD BODY COMPANY. ALL RIGHTS RESERVED



UNIT SHOWN IN POSITION (VIEWED FROM INTERIOR)

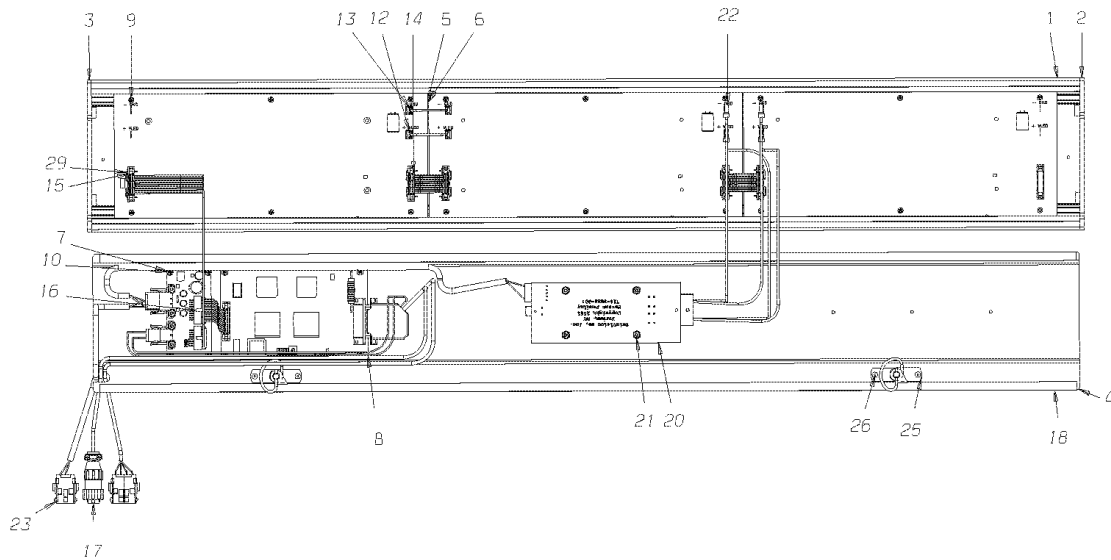


Models: L4RE
 DESTINATION SIGN
 SIDE

Key	PartNumber	Qty	Description	Comment
1	4759040		DESTINATION SIDE-TWIN VISION	<i>ENDING WITH BSN F30050209</i>
2	0037961	2	BRACKET,SIDE SIGN,FRT,TWINVISION, C4RE	
3	0037962	2	BRACKET,SIDE SIGN,REAR,TWINVISION, C4RE	
10	0971739	4	CAPSCREW,HX HD,M8-1.25X20,CL 8.8,	
10		10	WASHER, M8 INT S PROOF ZY	
10	2001048	10	WASHER,FLAT,11/32 X 11/16 X 1/16,YEL	
10	4761497	6	THREAD INS,.31 UNC,AVDEL DLS-518-312	
10	0610725	6	CAPSCREW,HEX HD,5/16-18X1 1/4,GR8,	

Models: L4RE
DESTINATION SIGN
SIDE
BSN: From BSN F30050210

Key	PartNumber	Qty	Description	Comment
-----	------------	-----	-------------	---------



Models: L4RE
DESTINATION SIGN
SIDE
BSN: From BSN F30050210

Key	PartNumber	Qty	Description	Comment
1			EXTRUSION, MACHINED, 14 X108 LED SIDE	
2			PLATE, END, MEDIUM, RIGHT,1400 SERIES, LED	
3			PLATE, END, MEDIUM, LEFT, 1400 SERIES, LED	
4			COVER, REAR, MOUNTING, POWER SUPPLY &	
5	0107549		BOARD,SIGN,DISPLAY,SIDE,TWINVISION	
6	0107551	2	BOARD,SIGN,DISPLAY,SIDE,TWINVISION W/O	
7	0107547		CONVERTER,SIGN,FRONT,TWINVISION	
8	0107545		CONTROLLER,SIGN,SIDE,TWINVISION	
9		18	SCREW, M3 X 10MM, PAN HEAD PHILLIPS, ZINC	
10		8	SCREW, NO. 6-32X5/6 IN, MACHINE, PAN HD	
11		8	SCREW, NO. 8X1 IN, FLAT HEADED, PHILLIPS	
12			POWER CABLE, FASTON TO FASTON, JPR FOR	
13			POWER CABLE, FASTON TO FASTON, JUMPER	
14		2	CABLE, INTERNAL, 16 POSITION RIBBON,	
15			CABLE, RIBBON,CONVERTOR BOARD, ALL LED	
16			CABLE,USCU TO CONVERTOR, 4 IN. LONG	
17			CABLE ASSY FOR INTERNAL ALL LED FRT &	
18		88	STRIP, NEOPRENE, ADHESIVE BACK BLACK,	
19		2	RO THERMAL PAD, 00.5 THICK 3.3 V 50 A (916-	
20	0107546		POWER SUPPLY,SIGN,FRONT,TWINVISION	
21		4	LOCKNUT, NO. 6-32 STAINLESS STEEL WITH	
22			CABLE ASSEMBLY TO DISPLAY, SB50	
23			CABLE, ASSEMBLY, INTERNAL POWER	

Models: L4RE
DESTINATION SIGN
SIDE
BSN: From BSN F30050210

Key	PartNumber	Qty	Description	Comment
24			R/O THERMAL PAD	
25		3	ADJ. GRIP LATCH, MIDGET SIZE, TOOLHEAD	
26		6	RIVET. 1/8IN. DIA. BY 1/8IN. LONG STAINLESS	
27			SERIAL NUMBER LABEL, 1X108-8MM, SIDE	
28			RO POWER SUPPLY PLATE, .062 IIN.	
29		5	CLIP, RETAINING, FOR RIBBON CABLE	