

**Body**

**420 Lights & Lens**

DRIVER'S & FAREBOX

*With: STD & FEATURE 30909-01*

---

1

FLUORESCENT

---

2

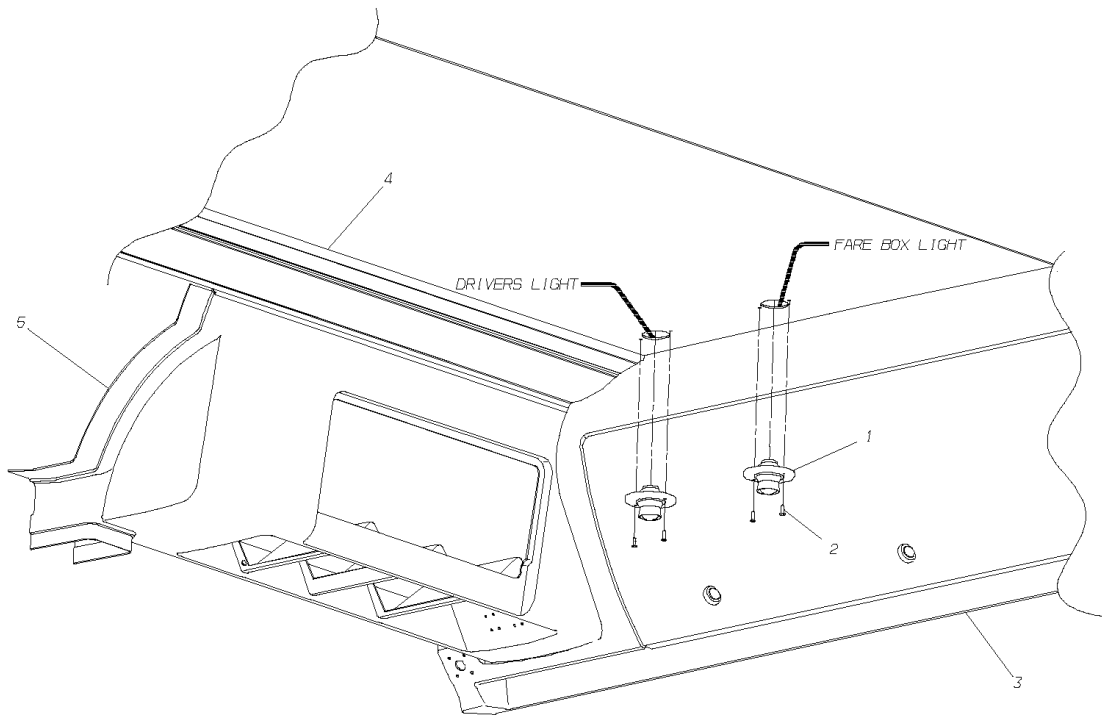
MARKER, DIRECTIONAL, STOP/TAIL, LICENSE PLATE, & CLEARANCE LIGHTS

---

3

Models: L4RE  
DRIVER'S & FAREBOX  
With: STD & FEATURE 30909-01

Key	PartNumber	Qty	Description	Comment
-----	------------	-----	-------------	---------

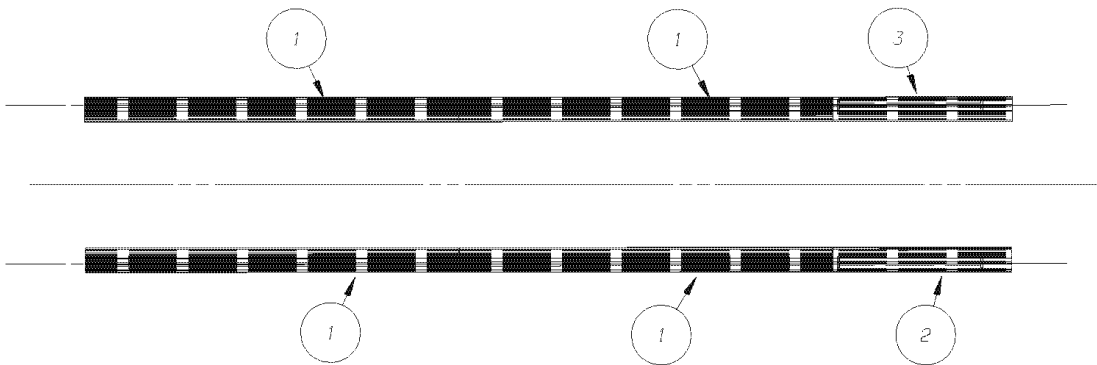


**Models:** L4RE  
**With:** DRIVER'S & FAREBOX  
STD & FEATURE 30909-01

Key	PartNumber	Qty	Description	Comment
1	0041952		LIGHT,INTERIOR,SPOT LAMP	
2	1143676		SCREW,10-16 X 3/4, AB,PH1,PAN HD,BLK ZN,	
3	4755589		HEADERPANEL ASSY FRONT	
4	4759747		LIGHT UNIT ASSY 123.5 LG	
5	4758991		PANEL OVERHEAD CONSOLE	

Models: L4RE  
FLUORESCENT

Key	PartNumber	Qty	Description	Comment
-----	------------	-----	-------------	---------



**Models: L4RE  
FLUORESCENT**

Key	PartNumber	Qty	Description	Comment
-----	------------	-----	-------------	---------

	4759745		LIGHTING KIT INTERNAL 30FT	
--	---------	--	----------------------------	--

*CONSISTS OF THE FOLLOWING:*

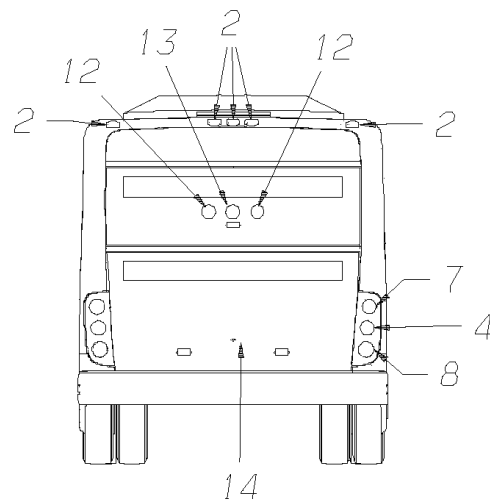
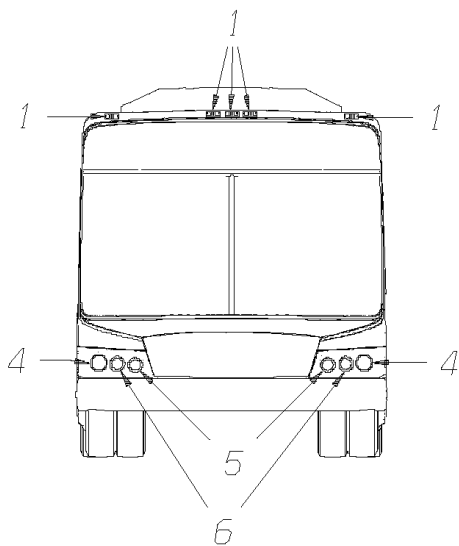
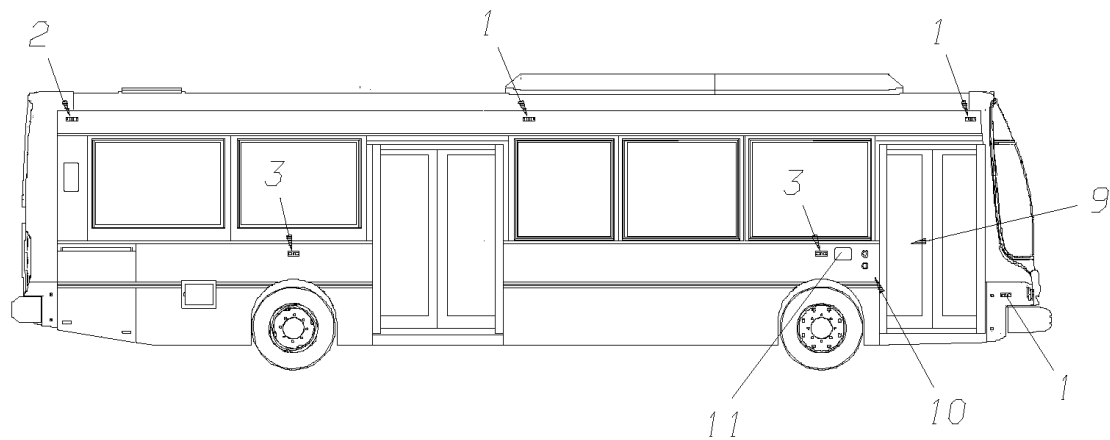
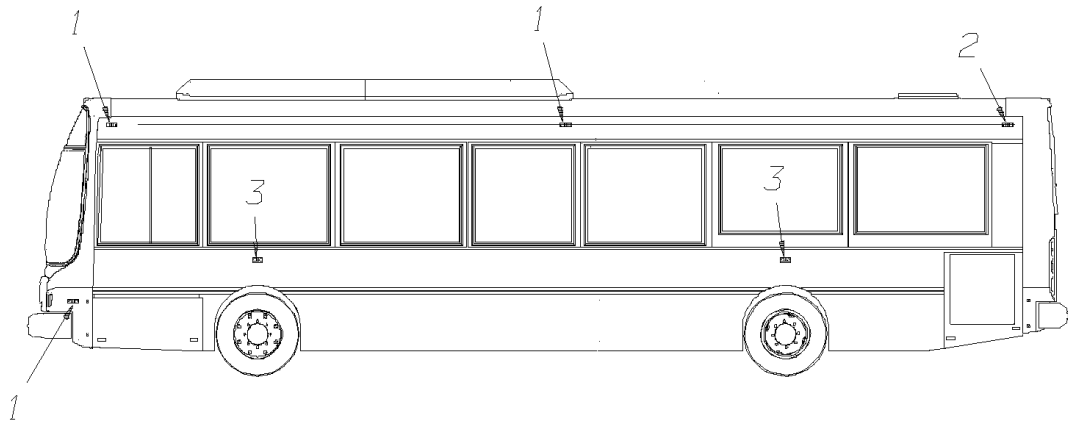
1	4759747	4	LIGHT UNIT ASSY 123.5 LG	
2	4759748	1	LIGHT UNIT ASSY, 59 LG - LH REAR	
3	4759749	1	LIGHT UNIT ASSY, 59 LG - RH REAR	
3	4759746		LIGHTING KIT INTERNAL 35FT	

*CONSISTS OF THE FOLLOWING:*

1	4759747	6	LIGHT UNIT ASSY 123.5 LG	
---	---------	---	--------------------------	--

Models: L4RE  
MARKER, DIRECTIONAL, STOP/TAIL, LICENSE PLATE, & CLEARANCE LIGHTS

Key	PartNumber	Qty	Description	Comment
-----	------------	-----	-------------	---------



**Models: L4RE  
MARKER, DIRECTIONAL, STOP/TAIL, LICENSE PLATE, & CLEARANCE LIGHTS**

Key	PartNumber	Qty	Description	Comment
1	0041393		LIGHT,LED,MARKER,AMBER	
1	1936772	22	SCREW,8-18 X 3/4,AB,PH1,PAN HD,YL ZN,W/EX	
1				GASKET, SUPPLIED WITH LIGHT
2	0028775		LIGHT ASSY,MARKER,LED,RED	
2	1936772	22	SCREW,8-18 X 3/4,AB,PH1,PAN HD,YL ZN,W/EX	
2				GASKET, SUPPLIED WITH LIGHT
3	0040861		LIGHT,LED,SIDE DIR,DUAL,AMBER	
3	0042264		GUARD,ARMOR,SIDE DIR,STAINLESS,18 SERIES	
3				SCREWS, NYLON WASHERS & GASKET SUPPLIED WITH LIGHT
4	0051797		LIGHT,LED,AMBER,FRONT DIRECTIONAL,4 INCH	
4	0040856		GROMMET,MOUNTING,LED LIGHT,4 INCH	
5	0051962		HEADLAMP,LOW BEAM,DE MODULE,90MM	
6	0051963		HEADLAMP,HIGH BEAM,DE MODULE,90MM	
7	0040858		LIGHT,LED,RED,STOP/TAIL,4 INCH	
7	0040856		GROMMET,MOUNTING,LED LIGHT,4 INCH	
8	0051796		LIGHT,LED,CLEAR BACKUP LAMP,4 INCH	
8	0040856		GROMMET,MOUNTING,LED LIGHT,4 INCH	
9	0041391		LIGHT,LED,ROUND,MARKER,AMBER,2.5 INCH	FEATURE 04569
9	0041392		GROMMENT,MOUNTING,LED LIGHT,2.5 INCH	FEATURE 04569
10	0052426		LIGHT,LED,ROUND,MARKER,RED,2.5 INCH	FEATURE 31062-01
10	0041392		GROMMENT,MOUNTING,LED LIGHT,2.5 INCH	FEATURE 31062-01
11	0042257		SPEAKER,EXT,4" ROUND, ALU GRILLE,REI	FEATURE 30269-10
11				SCREWS, SUPPLIED WITH SPEAKER

**Models: L4RE  
MARKER, DIRECTIONAL, STOP/TAIL, LICENSE PLATE, & CLEARANCE LIGHTS**

Key	PartNumber	Qty	Description	Comment
12	0051797		LIGHT,LED,AMBER,FRONT DIRECTIONAL,4 INCH	
12	0040856		GROMMET,MOUNTING,LED LIGHT,4 INCH	
13	0040858		LIGHT,LED,RED,STOP/TAIL,4 INCH	
13	0040856		GROMMET,MOUNTING,LED LIGHT,4 INCH	
14	1619980		LIGHT ASSY,LICENSE PLATE	
14	2123313		BULB,PORCH LIGHT,NO 0620443,GE#168"	
14	4317400		LENS,LICENSE,ENGINE COMPT,FOR 1315134 &	
14				<i>LOCKWASHER, NUT SUPPLIED WITH LICENSE PLATE LIGHT</i>