

**Body**

**450 Compartments**


BATTERY

---

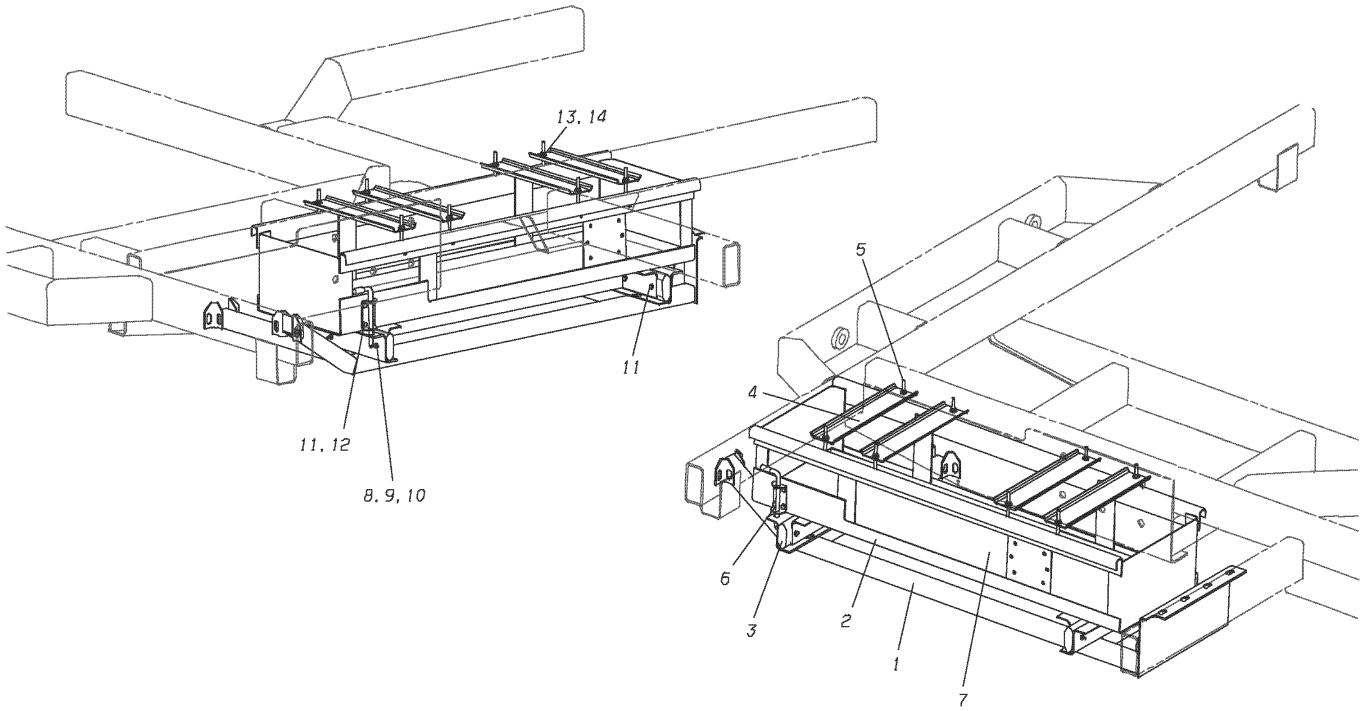
1

Models: **L4RE  
BATTERY**

| Key | PartNumber | Qty | Description | Comment |
|-----|------------|-----|-------------|---------|
|-----|------------|-----|-------------|---------|

|                     |         |     |   |
|---------------------|---------|-----|---|
| DR. 04/16/02 BY TFM | 4758799 | A   |  |
| APP. BY PET         | REV     | REV |   |

© BLUE BIRD BODY COMPANY. ALL RIGHTS RESERVED.



Models: **L4RE  
BATTERY**

| Key | PartNumber | Qty | Description                              | Comment                          |
|-----|------------|-----|--|----------------------------------|
| 1   | 4758800    |     | FRAME ASSY BATT.CARRIER SUPPORT          |                                  |
| 2   | 4754529    |     | FRAME BATTERY CARRIER                    |                                  |
| 3   | 4754531    | 2   | RAIL TELESCOPIC SLIDE (WIDNEY: 61/30123) |                                  |
| 4   | 4754533    | 4   | PLATE BATTERY CLAMP                      |                                  |
| 5   | 4754534    | 8   | BOLT BATTERY CLAMP                       |                                  |
| 6   | 4754567    |     | BOLT SPRING LOCK                         |                                  |
| 7   | 4759456    |     | LINER BATTERY CARRIER                    |                                  |
| 8   | 0006074    | 10  | SCREW,MACH,8-32 X 3/4,PH,CNSK,YEL ZN     |                                  |
| 9   | 0019127    | 10  | NUT,HEX HD,8-32,CNTR LOCK,CLR ZINC & WAX |                                  |
| 10  | 0019196    | 10  | WASHER,FLAT,NO 8,YEL ZN DICH             |                                  |
| 11  | 0971747    | 12  | CAPSCREW,HX HD,M6-1 X 16,CL 10.9,        |                                  |
| 12  | 1529254    | 4   | NUT,HEX HD,M6-1.0, LOCKING               |                                  |
| 13  | 1465947    | 8   | NUT,HEX HD,1/4-20,LK,NYLON INSERT,YEL    |                                  |
| 14  | 1247709    | 8   | WASHER,FLAT,17/64 ID X,5/8,YEL ZN DICH   |                                  |
| 14  | 4758975    |     | DOOR ASSY BATTERY ACCESS                 | <i>CONSISTS OF THE FOLLOWING</i> |
| 14  | 4758976    |     | DOOR PANEL BATTERY ACCESS                |                                  |
| 14  | 4759330    |     | EXTRUSION HINGE TOP                      |                                  |
| 14  | 4759331    |     | EXTRUSION HINGE BOTTOM                   |                                  |
| 14  | 4759332    |     | EXTRUSION,RUBBER,HINGE                   |                                  |
| 14  | 1798420    |     | LATCH,ADJUSTABLE LEVER,THIN GRIP         |                                  |
| 14  | 4759367    |     | STRAP ASSY TENAX                         |                                  |