

**Chassis****080 Electrical**

PANEL ASSEMBLIES

DEFROSTER CONTROL PANEL

---

1

SWITCH PANEL

IGNITION, KEY

*With: STD*

---

2

IGNITION, ROTARY


*With: FEATURE 30241-01*

---

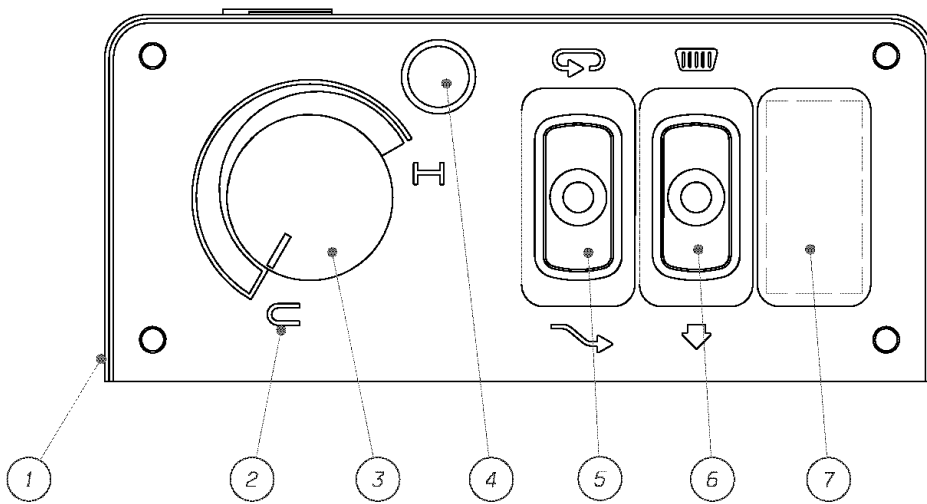
3

**Models:** L3RE  
**PANEL ASSEMBLIES**  
**DEFROSTER CONTROL PANEL**

Key	PartNumber	Qty	Description	Comment
-----	------------	-----	-------------	---------

DR. 12/05/03 BY TB	4763236	
APP. BY	REV	

© BLUE BIRD BODY COMPANY. ALL RIGHTS RESERVED




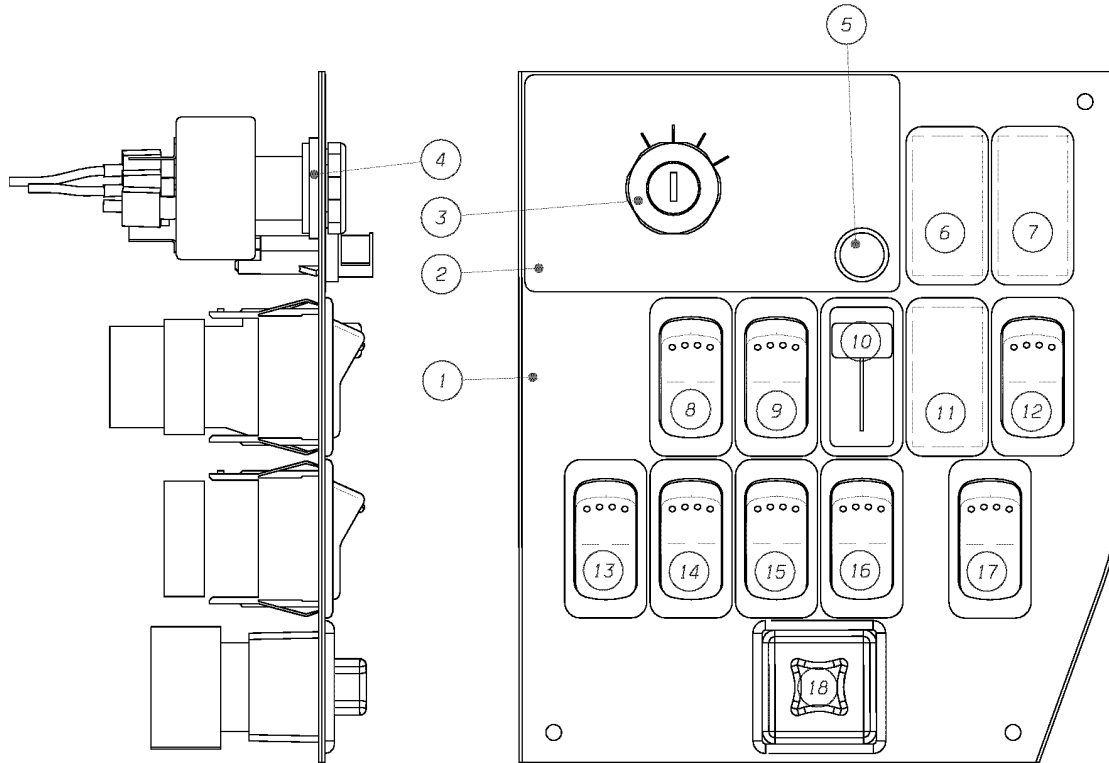
1	4763024	PANEL,SWITCH,DEFROST,SUTRAK,ELECTRIC	
2	4763025	DECAL,ADHESIVE,DEFROST,SUTRAK	
3	4761708	CONTROL,ROTATE,DEFROST	
4	1791300	LIGHT,SWITCH PANEL ILLUMINATION,CV	
5	0051021	SWITCH,BASE,NGR,DPDT,ON-OFF-ON	FRESH/RECIRCULATE AIR
6	0051021	SWITCH,BASE,NGR,DPDT,ON-OFF-ON	AIR DISTRIBUTION
7		SPARE	
NI	0027349	BLANK,PLUG,SWITCH PANEL,NGR	

**Models:** L3RE  
**SWITCH PANEL**  
**IGNITION, KEY**  
**With:** STD

Key	PartNumber	Qty	Description	Comment
-----	------------	-----	-------------	---------

DR. 12/05/03 BY: TB	4763239	
APP. BY: FRT	REV	

© BLUE BIRD BODY COMPANY, ALL RIGHTS RESERVED

1	4762091	PANEL,SWITCH,ELECTRIC,KEY START	KEY START
2	4762551	DECAL,ADHESIVE,KEY START	KEY START
3	1010685	SWITCH,IGN	START KEY
4	4762609	PLATE,SPACER,SWITCH,IGNITION	
5	1791300	LIGHT,SWITCH PANEL ILLUMINATION,CV	
6	0027294	SWITCH,BASE,NGR,SPST,ON-ON,EXT IND	A/C ON/OFF. FEATURE 38102-15, -16
7	0051021	SWITCH,BASE,NGR,DPDT,ON-OFF-ON	A/C LOW/MED/HIGH. FEATURE 38102-15, -16
8	0051021	SWITCH,BASE,NGR,DPDT,ON-OFF-ON	EXTERIOR LIGHTS
	0051039	ROCKER,NGR,HEAD/PARK LIGHTS	
9	0051021	SWITCH,BASE,NGR,DPDT,ON-OFF-ON	INTERIOR LIGHTS

**Models:** L3RE  
**SWITCH PANEL**  
**IGNITION, KEY**  
**With:** STD


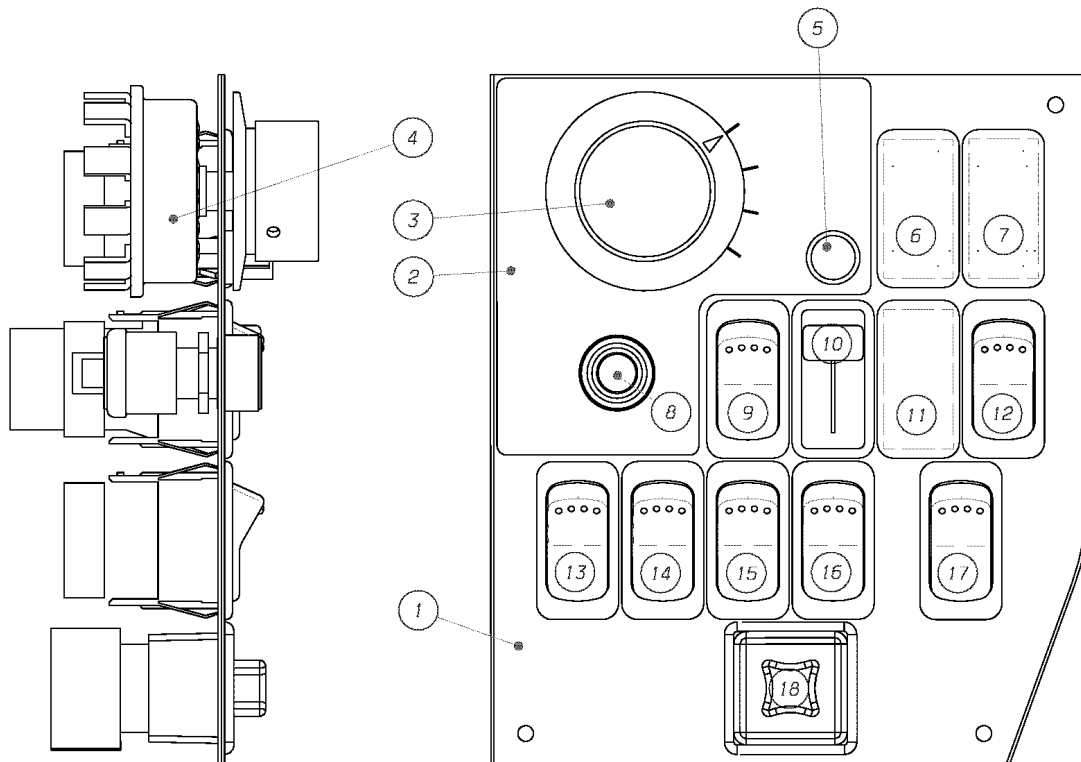
Key	PartNumber	Qty	Description	Comment
	0051036		ROCKER,NGR,DOME,NORMAL,ALL	
10	0027933		SWITCH,SLIDE,DIMMER,PANEL,GANG	
11	0027294		SWITCH,BASE,NGR,SPST,ON-ON,EXT IND	SALOON HEAT
	0051042		ROCKER,NGR,HYDRONIC HEAT	
12	0051021		SWITCH,BASE,NGR,DPDT,ON-OFF-ON	DE-MIST HIGH/OFF/LOW
	0027324		ROCKER,BUTTON,NGR,VENT,ROOF,2 SPEED	
13	0051027		SWITCH,BASE,NGR,DPST,ON-NONE-ON	HAZARD LIGHTS
	0051041		ROCKER,NGR,HAZARD	
14	0027296		SWITCH,BASE,NGR,SPDT,MOM ON-OFF-MOM	KNEEL. FEATURE 04569-00, -01
	0051032		ROCKER,NGR,KNEEL	
15	0027296		SWITCH,BASE,NGR,SPDT,MOM ON-OFF-MOM	RAMP. FEATURE 31062-02.
	0051035		ROCKER,NGR,RAMP	
16	0027297		SWITCH,BASE,NGR,SPST,IND,OFF-MOM ON	MIRROR HEAT. FEATURE 30482-05.
	0051040		ROCKER,NGR,MIRROR HEATED	
17	0027296		SWITCH,BASE,NGR,SPDT,MOM ON-OFF-MOM	DOOR OPEN/CLOSE
	0037729		ROCKER,BUTTON,NGR,ENT DOOR	
18			MIRROR ADJUST	FEATURE 30482-05, SUPPLIED WITH MIRROR
NI	0027349		BLANK,PLUG,SWITCH PANEL,NGR	

**Models:** L3RE  
**SWITCH PANEL**  
**IGNITION,ROTARY**  
**With:** FEATURE 30241-01

Key	PartNumber	Qty	Description	Comment
-----	------------	-----	-------------	---------

DR. 12/05/03 BY TB	4763240	
APP. BY FRT	REV	

© BLUE BIRD BODY COMPANY, A.S. RIGHTS RESERVED

1	4762092	PANEL,SWITCH,ELECTRIC,ROTARY	FEATURE 30241-01
2	4762552	DECAL,ADHESIVE,ROTARY SWITCH	FEATURE 30241-01
3	1103373	KNOB,MASTER ROTARY SWITCH	FEATURE 30241-01
4	0039953	SWITCH,MASTER ROTARY,4 POS,6 TERM	FEATURE 30241-01
5	1791300	LIGHT,SWITCH PANEL ILLUMINATION,CV	
6	0027294	SWITCH,BASE,NGR,SPST,ON-ON,EXT IND	FEATURE 38102-15, -16
7	0051021	SWITCH,BASE,NGR,DPDT,ON-OFF-ON	FEATURE 38102-15, -16
8	0039438	SWITCH,PUSH BUTTON,START	FEATURE 30241-01
9	0051021	SWITCH,BASE,NGR,DPDT,ON-OFF-ON	STANDARD
	0051036	ROCKER,NGR,DOME,NORMAL,ALL	STANDARD

**Models:** L3RE  
**SWITCH PANEL**  
**IGNITION,ROTARY**  
**With:** FEATURE 30241-01

Key	PartNumber	Qty	Description	Comment
11	0027294		SWITCH,BASE,NGR,SPST,ON-ON,EXT IND	SALOON HEAT
	0051042		ROCKER,NGR,HYDRONIC HEAT	
12	0051021		SWITCH,BASE,NGR,DPDT,ON-OFF-ON	DE-MIST HIGH/OFF/LOW
	0027324		ROCKER,BUTTON,NGR,VENT,ROOF,2 SPEED	
13	0051027		SWITCH,BASE,NGR,DPST,ON-NONE-ON	HAZARD LIGHTS
	0051041		ROCKER,NGR,HAZARD	
14	0027296		SWITCH,BASE,NGR,SPDT,MOM ON-OFF-MOM	KNEEL. FEATURE 04569-00, -01
	0051032		ROCKER,NGR,KNEEL	
15	0027296		SWITCH,BASE,NGR,SPDT,MOM ON-OFF-MOM	RAMP. FEATURE 31062-02, -03, -06.
	0051035		ROCKER,NGR,RAMP	
16	0027297		SWITCH,BASE,NGR,SPST,IND,OFF-MOM ON	MIRROR HEAT. FEATURE 30482 -05.
	0051040		ROCKER,NGR,MIRROR HEATED	
17	0027296		SWITCH,BASE,NGR,SPDT,MOM ON-OFF-MOM	DOOR OPEN/CLOSE
	0037729		ROCKER,BUTTON,NGR,ENT DOOR	
18			MIRROR ADJUST	SWITCH SUPPLIED WITH MIRROR, FEATURE 30482-05
NI	0027349		BLANK,PLUG,SWITCH PANEL,NGR	