

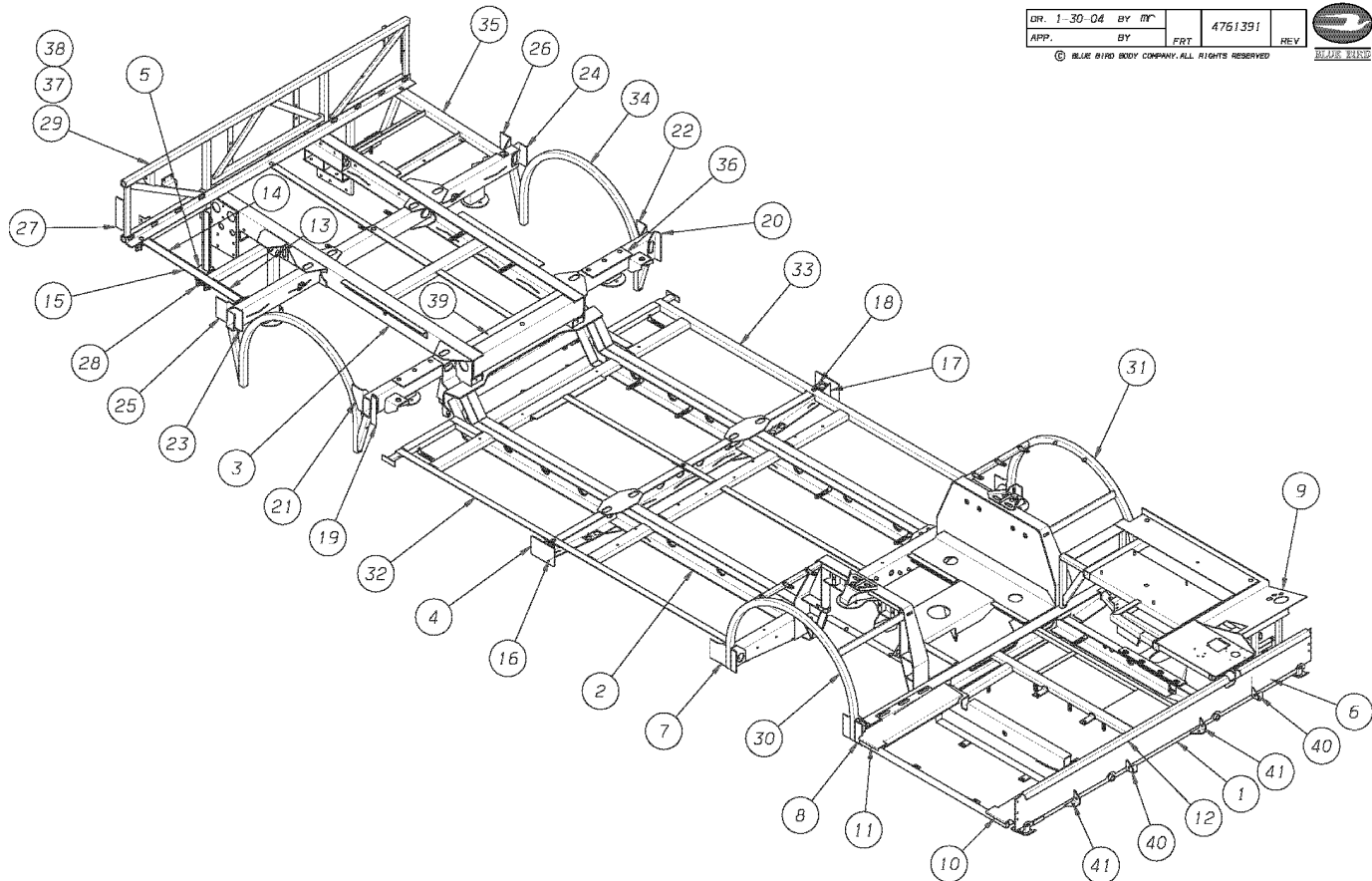
**Chassis****090 Frame**

## FRAME COMPONENTS

CENTER	1
FRONT DOOR RICON RAMP	2
REAR	3
	4

**Models: L3RE  
FRAME COMPONENTS**

Key	PartNumber	Qty	Description	Comment
-----	------------	-----	-------------	---------



1	4761933		FRAME,ASSY,FRONT,L3RE,FRT DR,RICON RAMP
2	4761935		FRAME,ASSY,CENTRE,L3RE,FRT DR
3	4761937		FRAME,ASSY,REAR,L3RE,
4	4759216	2	PLATE GUSSET PILLAR MTG BKT
5	4761823		ANGLE,MTG,FUEL TANK,STRAP
6	4761989	2	BRACKET,MTG,MITRE BOX
7	4762147	2	PLATE,GUSSET,LOWER,FWD,FRT W/H
8	4762148	2	PLATE,GUSSET,LOWER,RWD,FRT W/H
9	4762211		FRAME,ASSY,DRIVERS FLOOR STRUCTURE
10	4762311		PLATE,STEEL,0.1196X8.5X27.6,FRT DR,FWD

**Models: L3RE  
FRAME COMPONENTS**


Key	PartNumber	Qty	Description	Comment
11	4762312		PLATE,STEEL,0.1196X7.9X27.6,FRT DR,RWD	
12	4762315		PANEL,STEEL,SOLEBAR,FRONT	
13	4762451		TUBE,STL,1.5X0.75X0.083THK,10.217LG,	
14	4762452		TUBE,STL,1.5X0.75X0.083THK,20LG,F/TANK	
15	4762453		ANGLE,STL,0.1875X1.58X2.36,34.05LG,	
16	4762719		ANGLE,STL,0.1875THK,MTG,PILLAR BRKT,CTR,	
17	4762720		ANGLE,STL,0.1875THK,MTG,PILLAR BRKT,CTR,	
18	4762721	2	ANGLE,STL,0.1875THK,MTG,PILLAR BRKT,CTR	
19	4762722		ANGLE,STL,MTG,PILLAR BRKT,FWD,RR W/H,RH,	
20	4762723		ANGLE,STL,MTG,PILLAR BRKT,FWD,RR W/H,LH,	
21	4762724		ANGLE,STL,MTG,PILLAR BRKT,FWD,RR W/H,RH,	
22	4762725		ANGLE,STL,MTG,PILLAR BRKT,FWD,RR W/H,LH,	
23	4762726		ANGLE,STL,MTG,PILLAR BRKT,RWD,RR W/H,RH,	
24	4762727		ANGLE,STL,MTG,PILLAR BRKT,RWD,RR W/H,LH,	
25	4762728		ANGLE,STL,MTG,PILLAR BRKT,RWD,RR W/H,RH,	
26	4762729		ANGLE,STL,MTG,PILLAR BRKT,RWD,RR W/H,LH,	
27	4762730	2	ANGLE,STL,MTG,PILLAR BRKT,RR BLKHD STRUC	
28	4762917		BRACKET,ASSY,MTG,FUEL TANK,FWD,RR FRM	
29	4762918		STRUCTURE ASSY,BULKHEAD,LOWER,RR SEAT	
30	4762985		BRACKET ASSY,STL,WHEEL ARCH,FRT,RH	
31	4762986		BRACKET ASSY,STL,WHEEL ARCH,FRT,LH	
32	4762998		STRUCTURE ASSY,FLOOR,SUPT,CTR FRM,RH	
33	4762999		STRUCTURE ASSY,FLOOR,SUPT,CTR FRM,LH	

**Models:** L3RE  
**FRAME COMPONENTS**

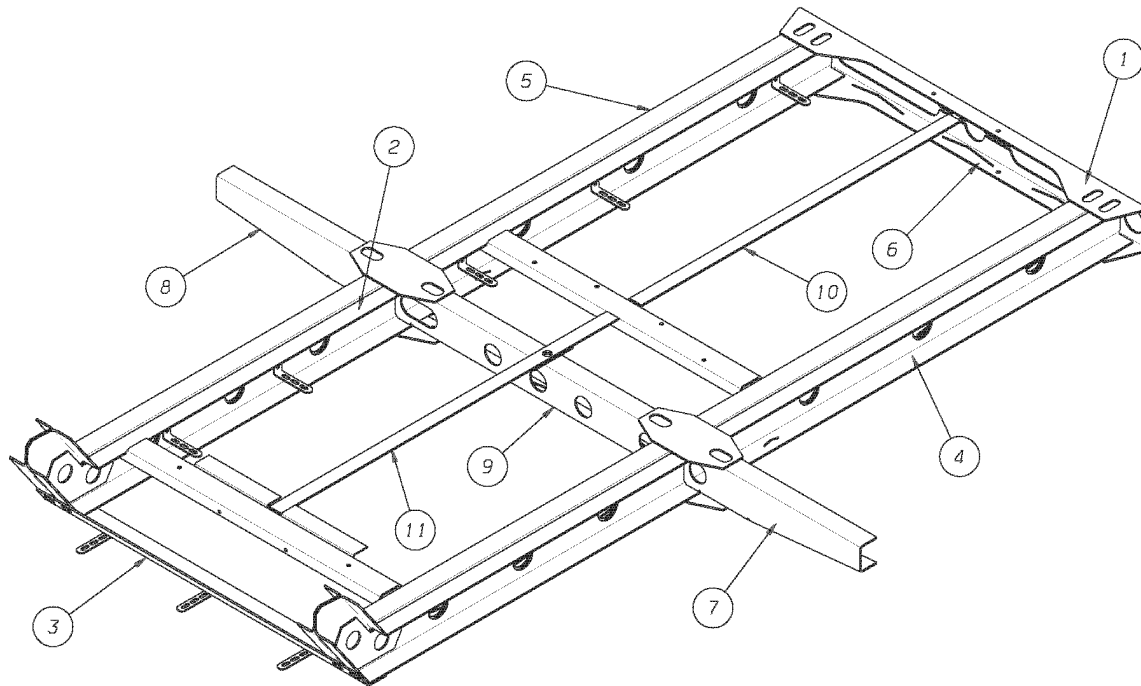
Key	PartNumber	Qty	Description	Comment
34	4763000	2	STRUCTURE ASSY,WHEELHOUSING,SUPT,REAR	
35	4763001		STRUCTURE ASSY,FLOOR,SUPT,MTG,RR A/TK	
36	4763105	2	PLATE,STL,MTG,GRP STEP	
37	0062954	4	CAPSCREW,HEX FLG,.50-13X2.50,GR8,FULL	
38	4758795	4	NUT 1/2-13 UNC G8 HEX FLG PRV TORQ	
39	4763382		PLATE,MTG,FLOOR,REAR	
40	4763230	2	BRACKET,MTG,HELP BUMPER,LOWER,LH	
41	4763232		BRACKET,MTG,HELP BUMPER,LOWER,RH	

Models: **L3RE  
FRAME COMPONENTS  
CENTER**

Key	PartNumber	Qty	Description	Comment
-----	------------	-----	-------------	---------

DR. 2-3-04	BY MFR	4761935	REV	
APP.	BY	FRT	REV	

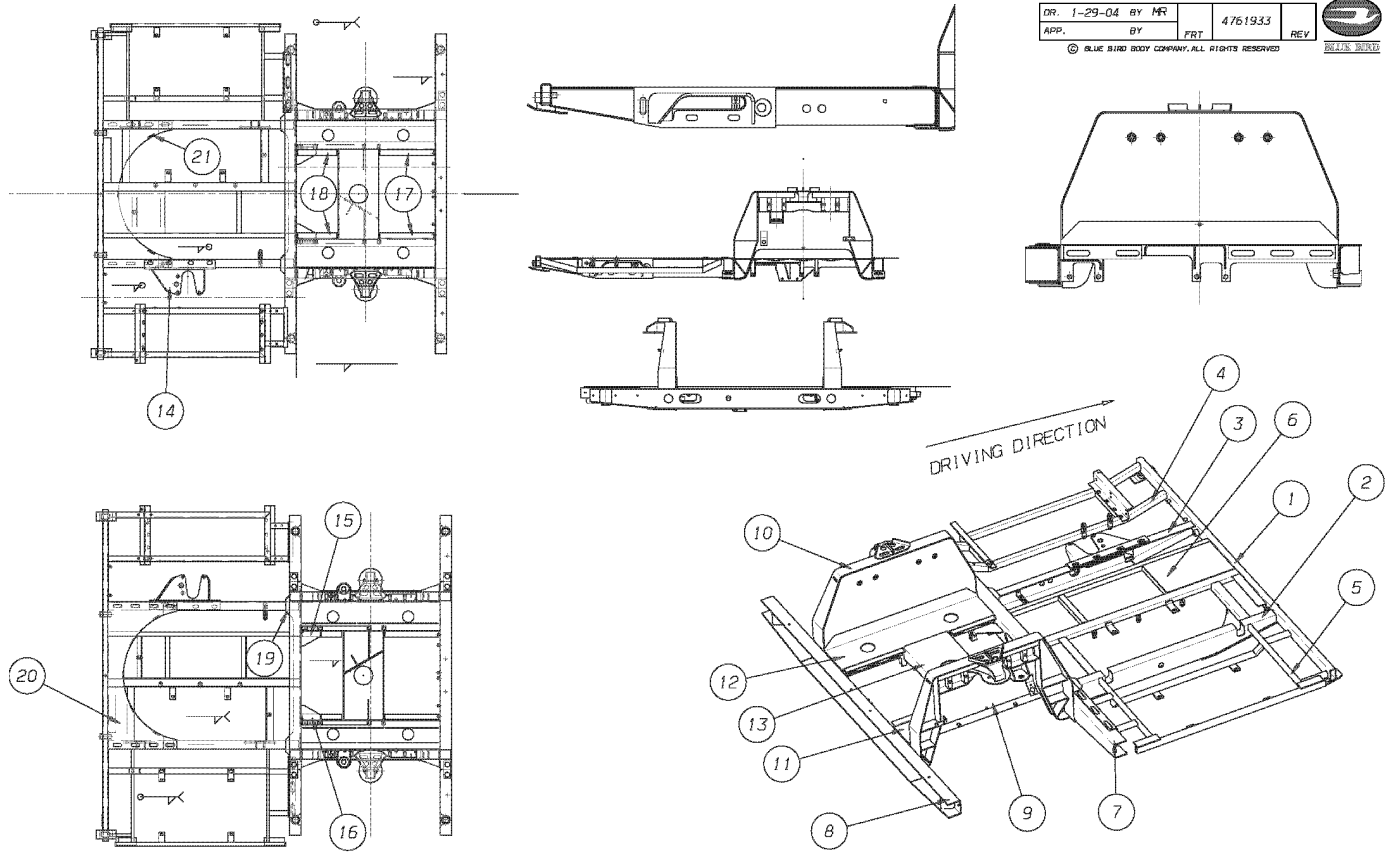
© BLUE BIRD BODY COMPANY. ALL RIGHTS RESERVED



1	4762277		ANGLE,STEEL,0.1875THK,INSERT,CTR/FRT
2	4762285	4	PLATE,STEEL,0.1875THK,C/MBR,REINF,CTR
3	4763082		STRUCTURE,ASSY,C/MBR,ANGLED,REINF
4	4762857		CHANNEL,ASSY,LGTDNL,RH,CTR FRAME,FRT DR
5	4762858		CHANNEL,ASSY,LGTDNL,LH,CTR FRAME
6	4762859		ANGLE,ASSY,INSERT,CTR/FRT CHASS
7	4762860		CHANNEL,ASSY,RH,C/MBR,CTR FRAME
8	4762861		CHANNEL,ASSY,LH,C/MBR,CTR FRAME
9	4762862		CHANNEL,ASSY,CTR,C/MBR,CTR FRAME
10	4762863		CHANNEL,ASSY,FWD,W/C RST,FLR STRUC
11	4762864		CHANNEL,ASSY,RWD,W/C RST,FLR STRUC

**Models: L3RE  
FRAME COMPONENTS  
FRONT DOOR RICON RAMP**

Key	PartNumber	Qty	Description	Comment
-----	------------	-----	-------------	---------



DR. 1-29-04 BY MR	4761933	REV.	
APP. BY FRT			

© BLUE BIRD BODY COMPANY. ALL RIGHTS RESERVED

1	4761973	CROSSMEMBER,ASSY,FRONT GIRDER 1
2	4763307	CHANNEL,ASSY,LOGL,FRONT,RH
3	4763310	CHANNEL,ASSY,LOGL,FRONT,LH
4	4762126	FRAME,ASSY,SUPPORT,BATTERY CARRIER
5	4762294	FRAME,ASSY,RAMP STRUCTURE
6	4762252	FRAME,ASSY,FRT,FLR STRUCTURE
7	4762488	CROSSMEMBER,ASSY,GDR II
8	4762261	CROSSMEMBER, ASSY, GIRDER,III
9	4762060	JUNCTION,ASSY,FRONT,RH
10	4762061	JUNCTION,ASSY,FRONT,LH


**Models: L3RE  
FRAME COMPONENTS  
FRONT DOOR RICON RAMP**

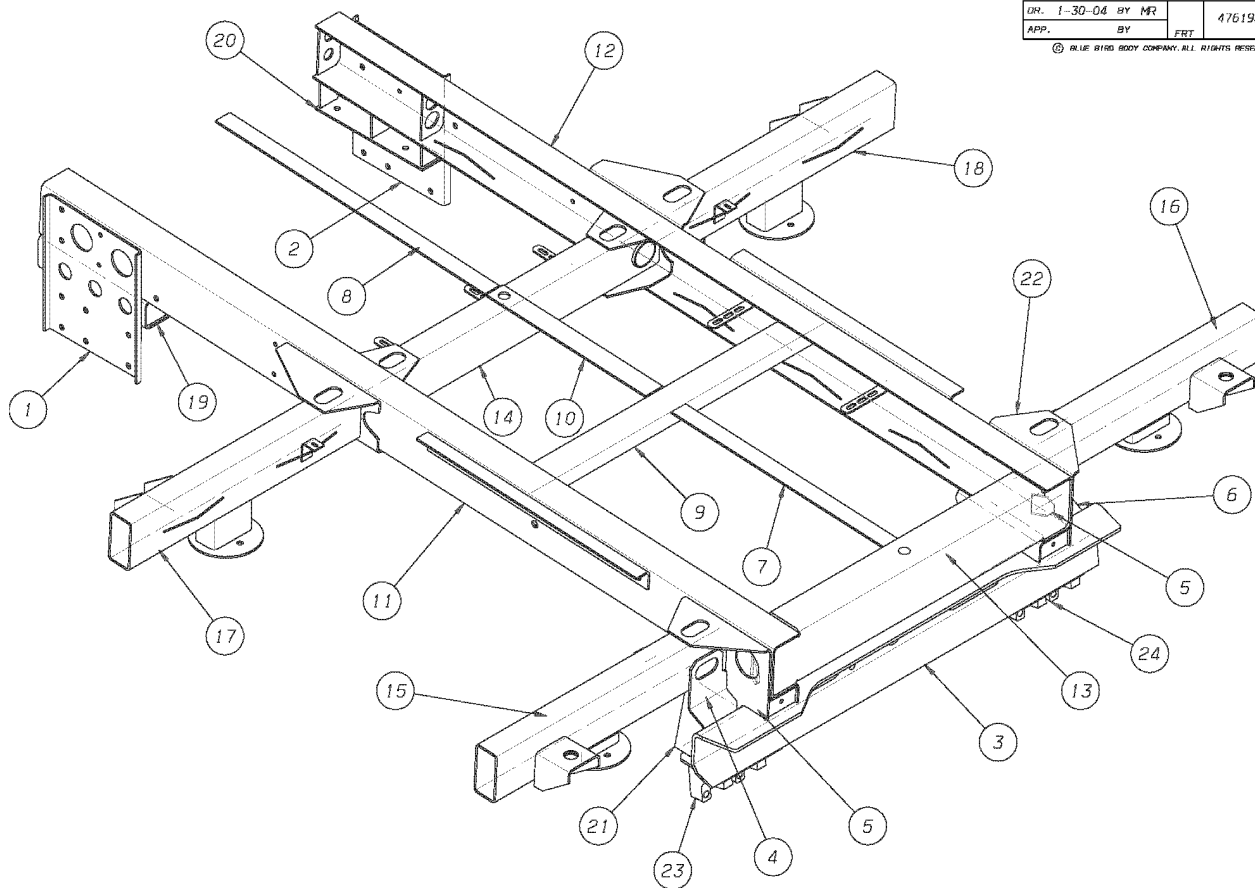
Key	PartNumber	Qty	Description	Comment
12	4762030		BRACKET,ASSY,FRT,LOWER SUSP,LH	
13	4762054		BRACKET,ASSY,JUNCTION PIECE	
14	4762881		BRACKET,ASSY,STEERING GEAR SERVO	
15	4762045		BRACKET,STEEL,RIB,FRT LOWER SUSP,LH	
16	4762044		BRACKET,STEEL,RIB,FRT LOWER SUSP,RH	
17	4762332	2	ANGLE,STEEL,0.1196X1.5X2.0,15.35LG	
18	4762331	2	ANGLE,STEEL	
19	4761988	2	PLATE,STEEL,0.1875X48.4X6.1,INSERT	
20	4761976		PLATE,STEEL,0.1793X19.07X40.0,FRONT	
21	4761902		BAR,STEEL,0.125 X 2.0LG,TIE BAR	

Models: **L3RE  
FRAME COMPONENTS  
REAR**

Key	PartNumber	Qty	Description	Comment
-----	------------	-----	-------------	---------

DR. 1-30-04	BY MR	4761937	B
APP.	BY	FRT	REV

© BLUE BIRD BODY COMPANY. ALL RIGHTS RESERVED. 



1	4762384		PLATE,STL,0.187THK,MTG,RR ENGINE FRM,RH
2	4762385		PLATE,STL,0.187THK,MTG,RR ENGINE FRM,LH
3	4762398		CHANNEL,STL,0.3125THK,MTG,RR FRM,CTR FRM
4	4762399		PLATE,STL,0.187THK,GUSSET,C/MBR,CHAN,RH
5	4762404	2	PLATE,STL,0.187THK,GUSSET,SUSP BLOCK,OTR
6	4762405		PLATE,STL,0.187THK,GUSSET,C/MBR,CHAN,LH
7	4762440		ANGLE,STL,2X1.5X0.187THK,28.543LG,FLR
8	4762441		ANGLE,STL,2X1.5X0.187THK,47.835LG,FLR
9	4762442		CHANNEL,STL,0.12THK,FLR STRUC,RR FRM
10	4762560		PLATE,STL,2X16X0.187THK,FLR STRUC,RR FRM



**Models:** L3RE  
**FRAME COMPONENTS**  
**REAR**

Key	PartNumber	Qty	Description	Comment
11	4762901		CHANNEL,ASSY,LGTDNL,REAR FRAME,RH	
12	4762902		CHANNEL,ASSY,LGTDNL,REAR FRAME,LH	
13	4762903		CHANNEL,ASSY,C/MBR,RR FRM,FWD,CTR	
14	4762901		CHANNEL,ASSY,LGTDNL,REAR FRAME,RH	
15	4762905		CROSSMEMBER,ASSY,RR FRM,FWD,RH	
16	4762906		CROSSMEMBER,ASSY,RR FRM,FWD,LH	
17	4762907		CROSSMEMBER,ASSY,RR FRM,RWD,RH	
18	4762908		CROSSMEMBER,ASSY,RR FRM,RWD,LH	
19	4762909		CHANNEL,ASSY,SPACER,RR ENG FRM,RH	
20	4762910		CHANNEL,ASSY,SPACER,RR ENG FRM,LH	
21	4762911		STRUCTURE ASSY,MTG,SUSP BLOCK,RR FRM,RH	
22	4762912		STRUCTURE ASSY,MTG,SUSP BLOCK,RR FRM,LH	
23	4762913		BRACKET,ASSY,MTG,SUSP RODS,RR FRM,RH	
24	4762914		BRACKET,ASSY,MTG,SUSP RODS,RR FRM,LH	