

**Chassis**

**110 Instruments**


PANEL

---

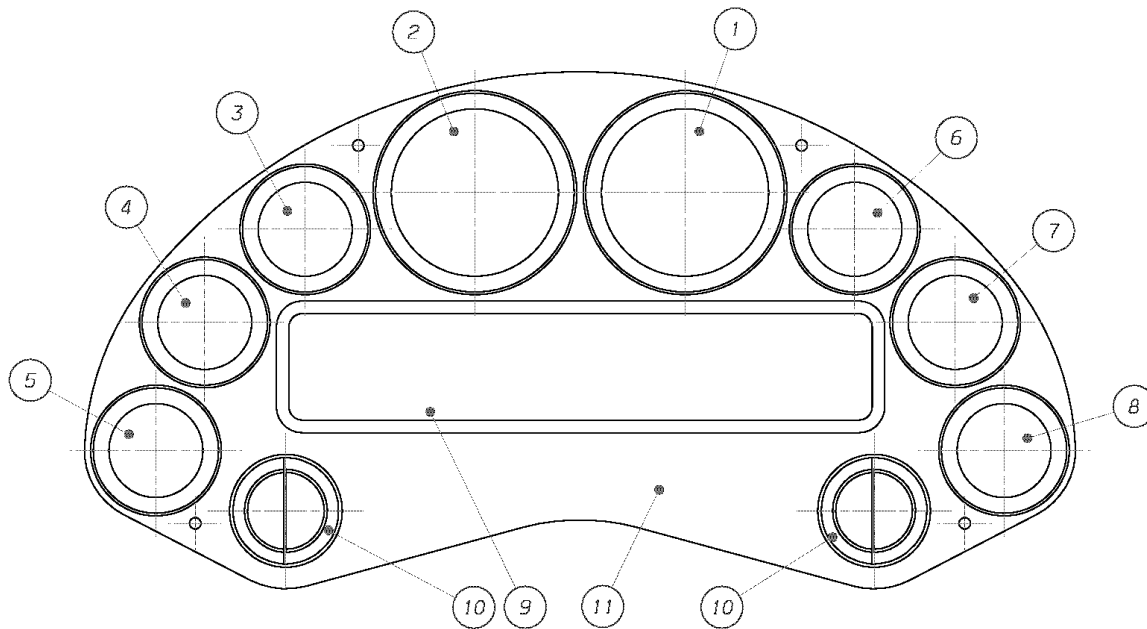
1

Models: L3RE  
PANEL

| Key | PartNumber | Qty | Description | Comment |
|-----|------------|-----|-------------|---------|
|-----|------------|-----|-------------|---------|

|                    |         |     |   |
|--------------------|---------|-----|---|
| DR. 01-09-04 BY MR | 4763241 | REV |  |
| APP. BY FRT        |         |     |   |

© BLUE BIRD BODY COMPANY, A.I. RIGHTS RESERVED



4763227 PANEL,ASSY,INSTRUMENT,L3RE *INCLUDES THE FOLLOWING*

|    |         |                                    |
|----|---------|------------------------------------|
| 1  | 0036893 | GAUGE,SPEEDOMETER,W/ODOMETER,DATA  |
| 2  | 0036894 | GAUGE,TACHOMETER,W/HOURMETER,DATA  |
| 3  | 0036896 | GAUGE,AIR,FRONT,DATA LINK,PI       |
| 4  | 0036897 | GAUGE,AIR,REAR,DATA LINK,PI        |
| 5  | 0036900 | GAUGE,COOLANT TEMP,DATA LINK,PI    |
| 6  | 0036898 | GAUGE,FUEL,DATA LINK,PI            |
| 7  | 0049160 | GAUGE,VOLTMETER,DATA LINK,PI,24V   |
| 8  | 0036899 | GAUGE,OIL PRESSURE,DATA LINK,PI    |
| 9  | 0036905 | INSTRUMENTATION,TELLTALE BAR,C4RE  |
| 10 | 4759765 | 2 DIFFUSER,VENT,SINGLE LOUVER,BALL |

**Models:** L3RE  
PANEL

| Key | PartNumber | Qty | Description       | Comment |
|-----|------------|-----|-------------------|---------|
| 11  | 4760615    |     | PANEL,INSTRUMENT  |         |
| NI  | 0042122    |     | RING,MTG,PI,2.375 |         |
| NI  | 0042125    |     | RING,MTG,PI,3.750 |         |