

Chassis**120 Steering**

COLUMN

LINKAGE 1

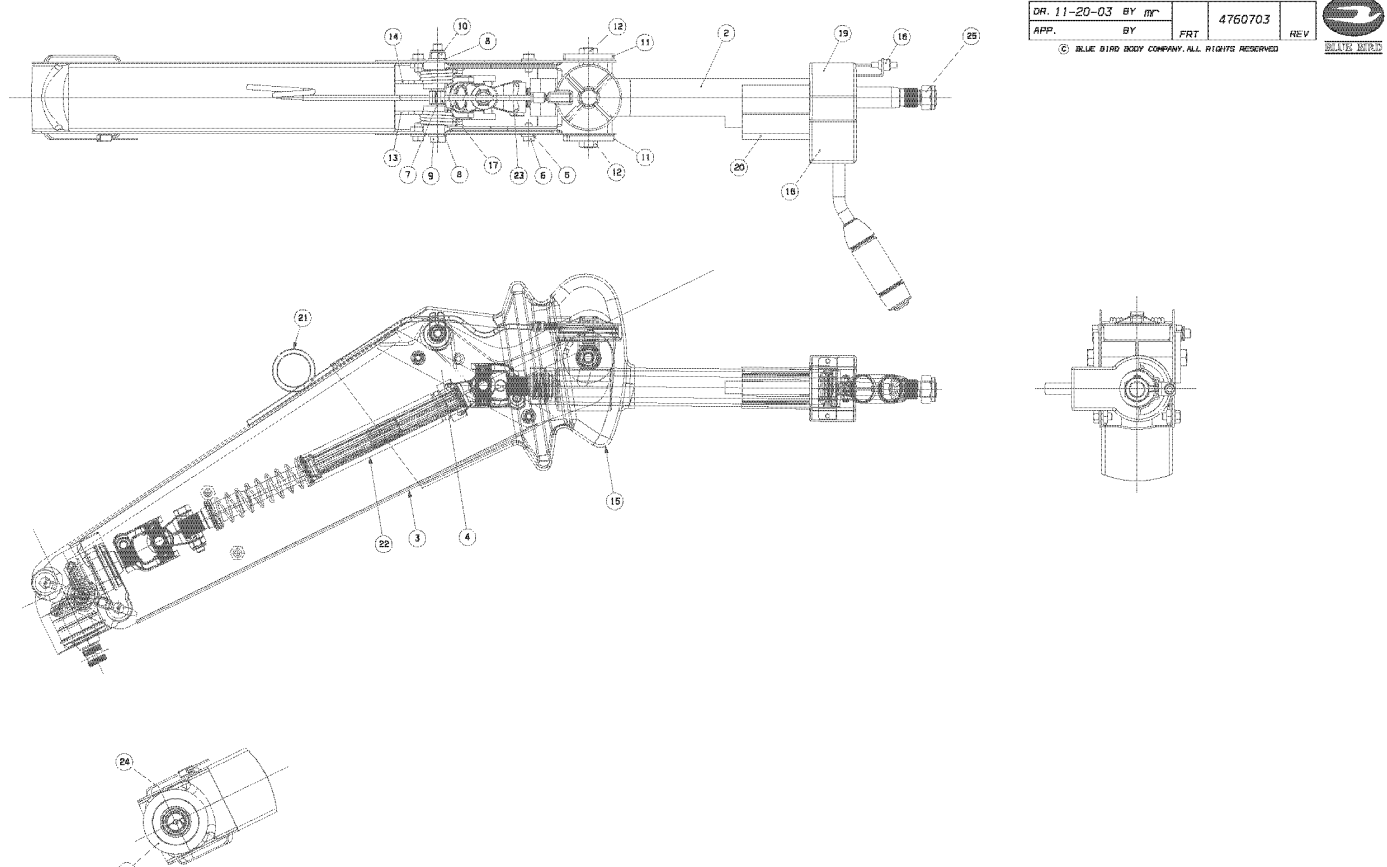
ROCKER ARM 2

SYSTEM 3

4


**Models: L3RE
COLUMN**

| Key | PartNumber | Qty | Description | Comment |
|-----|------------|-----|-------------|---------|
|-----|------------|-----|-------------|---------|



| | | | |
|--------------|-------|---------|-----|
| DR. 11-20-03 | BY mr | 4760703 | REV |
| APP. | BY | FRT | NEV |

© BLUE BIRD BODY COMPANY, ALL RIGHTS RESERVED




| | | | |
|----|---|--|-------------------------------|
| 1 | | | BEVEL BOX ASSEMBLY |
| 2 | | | TOP COLUMN AND CLAMP ASSEMBLY |
| 3 | | | COLUMN BODY ASSEMBLY |
| 4 | 2 | | COLUMN SIDE PLATE |
| 5 | 4 | | MB WASHER |
| 6 | 4 | | MB X 16 SET SCREW |
| 7 | | | SPRING SUPPORT SPACER |
| 8 | 2 | | M10 WASHER |
| 9 | | | M10 X 110 BOLT |
| 10 | | | M10 NYLOC NUT |

**Models: L3RE
COLUMN**

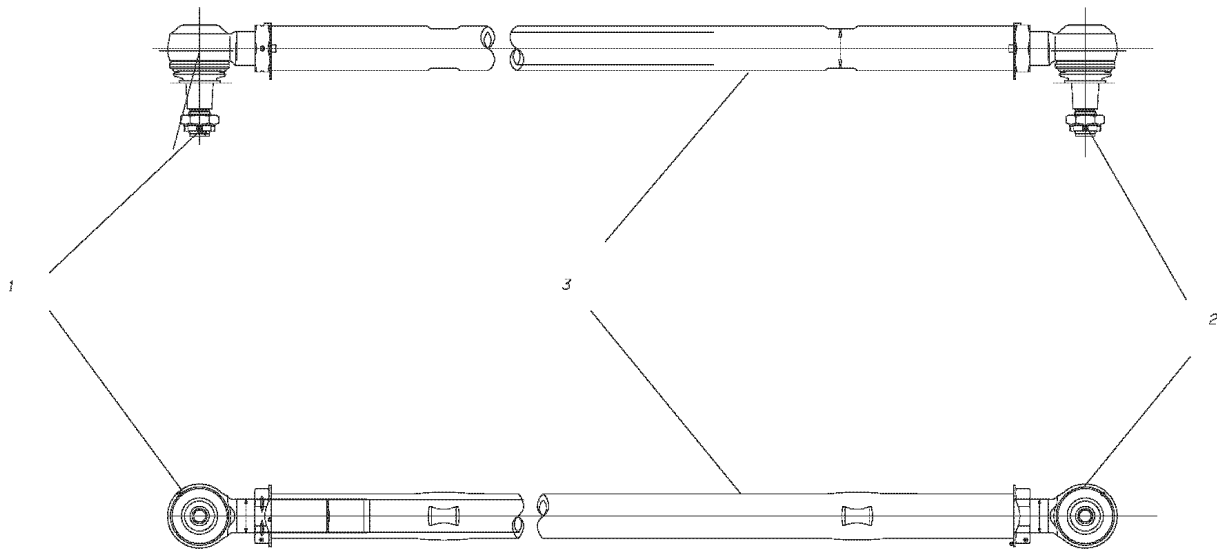
| Key | PartNumber | Qty | Description | Comment |
|-----|------------|-----|------------------------------|---------|
| 11 | | 2 | BONDED WASHER | |
| 12 | | 2 | M12 X 1.75 LOCK NUT | |
| 13 | | | TORSIONAL SPRING LH | |
| 14 | | | TORSIONAL SPRING RH | |
| 15 | | | GAITER | |
| 16 | | | HORN BUSH ASSEMBLY | |
| 17 | | | HOSE CLIP | |
| 18 | 0085122 | | KIT,SWITCH,DIRECTIONAL,L3RE" | |
| 19 | | | SWITCH COVER | |
| 20 | | | COVER - EXTRUDED | |
| 21 | | | NYLON TUBE | |
| 22 | | | SLIDING JOINT ASSEMBLY | |
| 23 | | | PATCHED BOLT | |
| 24 | | | TIE WRAP | |
| 25 | | | 3/4 IN UNF NYLOC NUT | |

Models: **L3RE
LINKAGE**

| Key | PartNumber | Qty | Description | Comment |
|-----|------------|-----|-------------|---------|
|-----|------------|-----|-------------|---------|

| | | |
|---------------------|---------|---|
| DR: 11-24-03 BY MFI | 4751759 |  |
| APP: BY | PRT | |

© BLUE BIRD BODY COMPANY. ALL RIGHTS RESERVED




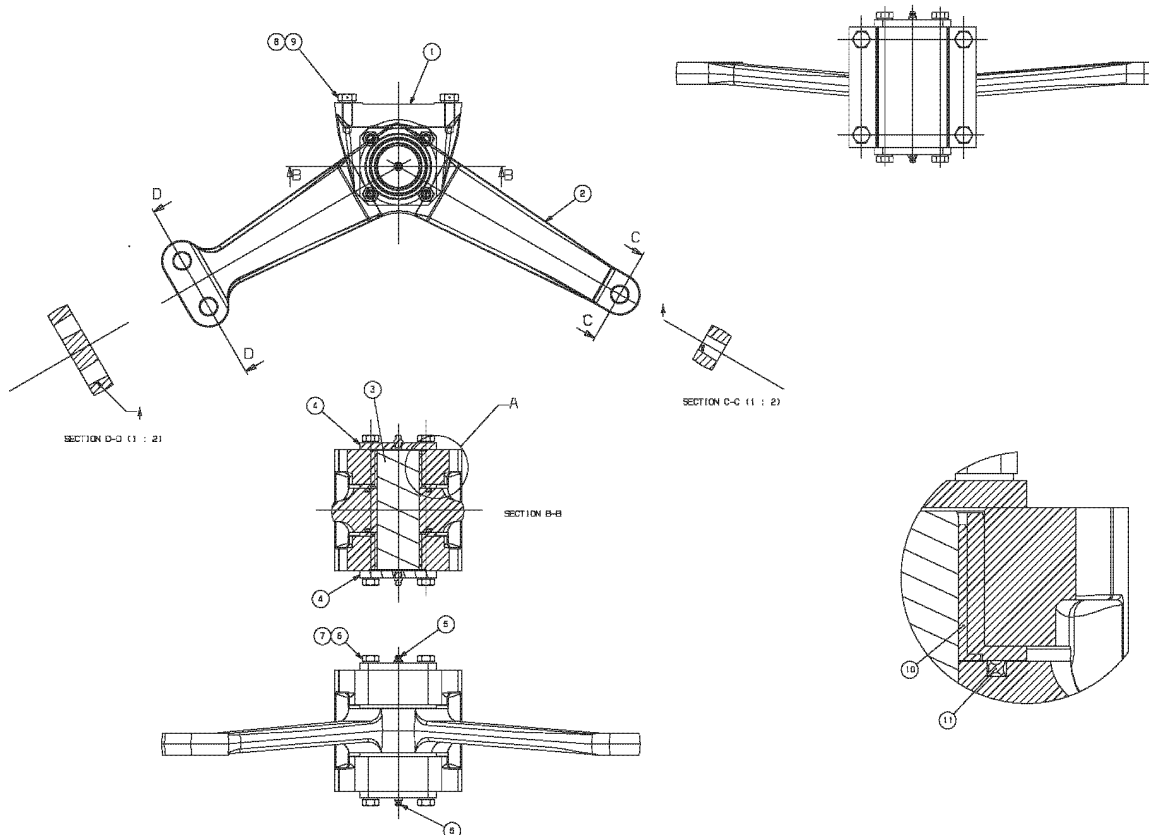
- 1 SOCKET ASSY, LH
- 2 SOCKET ASSY, RH
- 3 TUBE

Models: L3RE
ROCKER ARM

| Key | PartNumber | Qty | Description | Comment |
|-----|------------|-----|-------------|---------|
|-----|------------|-----|-------------|---------|

| | | | | |
|--------------------|----|-------------|--|-----|
| DR. 11-21-03 by m* | | FRT 4761762 | | REV |
| APP. | BY | | | |

© BLUE BIRD BODY COMPANY. ALL RIGHTS RESERVED

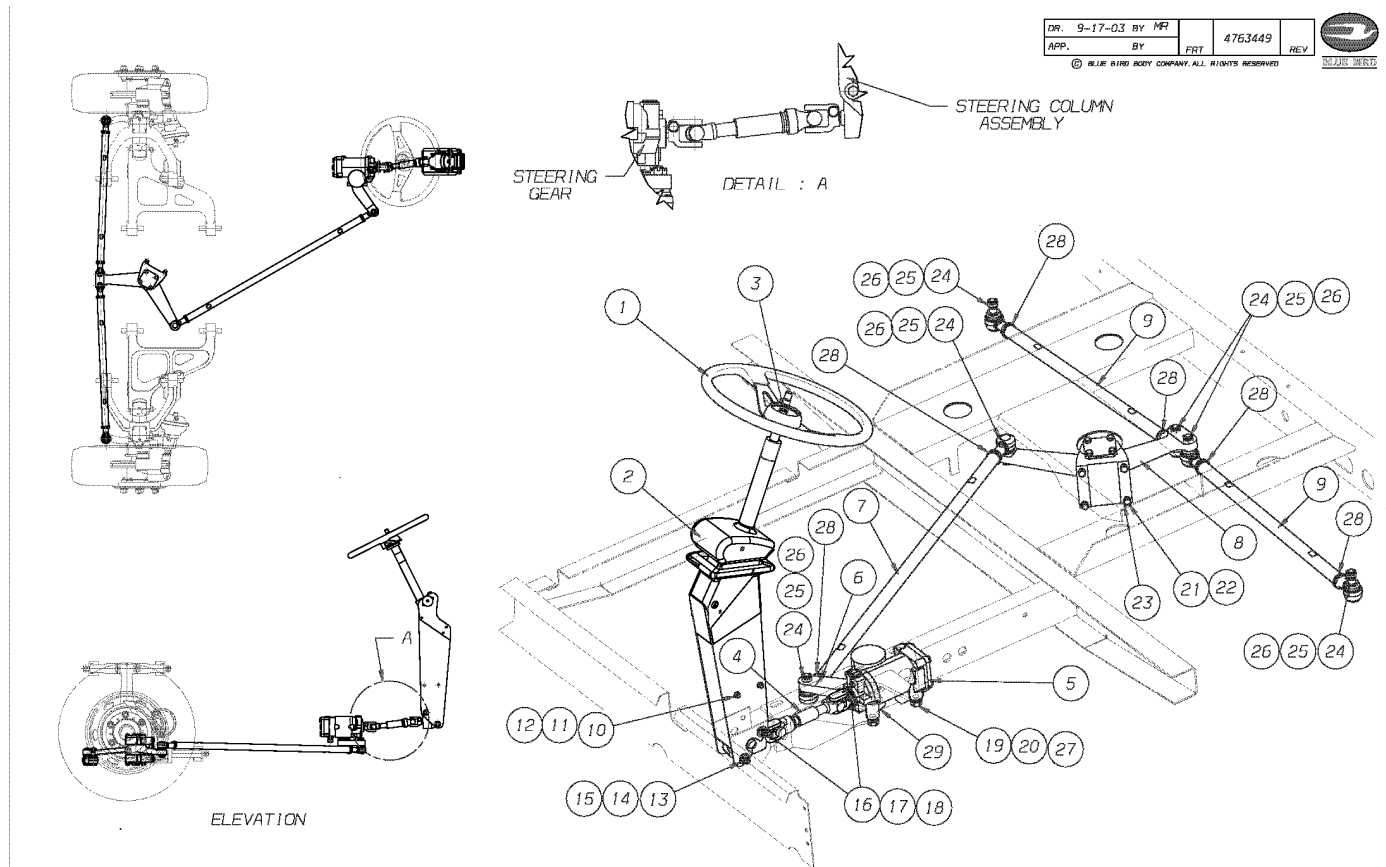
- | | |
|----|------------------------------|
| 1 | ROCKER ARM, BRACKET ASSEMBLY |
| 2 | BALANCE ARM |
| 3 | ROCKER SHAFT |
| 4 | COVER |
| 5 | GREASE NIPPLE |
| 6 | BOLT |
| 7 | M10 SPRING WASHER |
| 8 | M12 SPRING WASHER |
| 9 | M12 X 1.75 X 30 |
| 10 | FLANGED BUSH MACHINED |

Models: L3RE
ROCKER ARM

| Key | PartNumber | Qty | Description | Comment |
|-----|------------|-----|-------------|---------|
| 11 | | | SEAL | |

Models: L3RE SYSTEM

| Key | PartNumber | Qty | Description | Comment |
|-----|------------|-----|-------------|---------|
|-----|------------|-----|-------------|---------|



| | | | |
|---|---------|-----|--|
| DR. 9-17-03 BY MF | 4763449 | REV | |
| APP. BY FBT | | | |
| © BLUE BIRD BODY COMPANY, ALL RIGHTS RESERVED | | | |

| | | |
|----|---------|--|
| 1 | 4761765 | STEERING WHEEL,DIAMETER,18 INCH |
| 2 | 4760703 | COLUMN ASSY,STEERING,PAILTON,COMPLETE |
| 3 | | NUT, STEERING,WHEEL, 3/4 INCH - 16 |
| 4 | 4760705 | SHAFT,ASSY,SLIP,MITRE BOX TO SGEAR,L3RE |
| 5 | 4761392 | STEERING GEAR,ZF8090 |
| 6 | 4762891 | STEERING ARM,PIT,8 1/4,L3RE |
| 7 | 4761760 | STEERING LINKAGE,LINKAGE,DRAG |
| 8 | 4761762 | STEERING ARM,ROCKER,ASSY |
| 9 | 4761759 | 2 STEERING LINKAGE,TRACK,ROD |
| 10 | 0997759 | 2 CAPSCREW,HX HD,M8-1.25X25,CL10.9, |
| 11 | 2001188 | 2 LOCKWASHER,SPLIT RING, 5/16,MED,YEL ZN |

**Models: L3RE
SYSTEM**

| Key | PartNumber | Qty | Description | Comment |
|-----|------------|-----|--|---------------------------------|
| 12 | 2001048 | 2 | WASHER,FLAT,11/32 X 11/16 X 1/16,YEL | |
| 13 | 4763456 | 2 | CAPSCREW,HEX HD,M12X1.75XL120,GR10.9 | |
| 14 | 2001139 | 4 | WASHER,FLAT,1/2 X 1 1/4 X 3/32,YEL ZN DICH | |
| 15 | 4761341 | 2 | NUT,HEX HD,M12-1.75,SLKG,GR5,YEL DICH | |
| 16 | 0997726 | 2 | CAPSCREW,HX HD,M10-1.5X50,CL10.9, | |
| 17 | 1107085 | 2 | WASHER,FLAT,13/32 X 13/16 X 3/32,HDN,BLK | |
| 18 | 4752564 | 2 | NUT FLANGED HEX HD M10X1_5 | |
| 19 | 4763459 | 3 | CAPSCREW,HEX HD,M18X1.5XL35,GR10.9 | |
| 20 | 2001238 | 3 | LOCKWASHER,SPLIT RING, 3/4 ,LHT,YEL ZN | |
| 21 | | | BOLT, ROCKER ASSY | <i>PART OF STEERING ARM</i> |
| 22 | | | SPRING WASHER, ROCKER ASSY | <i>PART OF STEERING ARM</i> |
| 23 | 4763460 | | WIRE,LOCKING,S/S,16GA | |
| 24 | | 6 | BOLT, DRAG LINK/TRACK ROD PIVOTS | <i>PART OF STEERING LINKAGE</i> |
| 25 | | 6 | NUT, DRAG LINK/TRACK ROD PIVOTS | <i>PART OF STEERING LINKAGE</i> |
| 26 | | 6 | SPLIT PIN | <i>PART OF STEERING LINKAGE</i> |
| 27 | 1422195 | AR | SEALANT,LOCTITE,THREADLOCKER 242, BLUE | |
| 28 | | 6 | LOCKNUT, DRAG LINK/TRACK RODS | <i>PART OF STEERING LINKAGE</i> |
| 29 | | | STEERING ARM NUT | <i>PART OF STEERING GEAR</i> |