

**Chassis**

**130 Suspension**

FRONT

AIR DISC BRAKES

\_\_\_\_\_ 1

AIR PIPING DIAGRAM

\_\_\_\_\_ 2

HYDRAYLIC DISC BRAKES

\_\_\_\_\_ 3

KNEELING VALVES LOCATIONS

\_\_\_\_\_ 4

SUSPENSION AND KNEELING SYSTEM

\_\_\_\_\_ 5

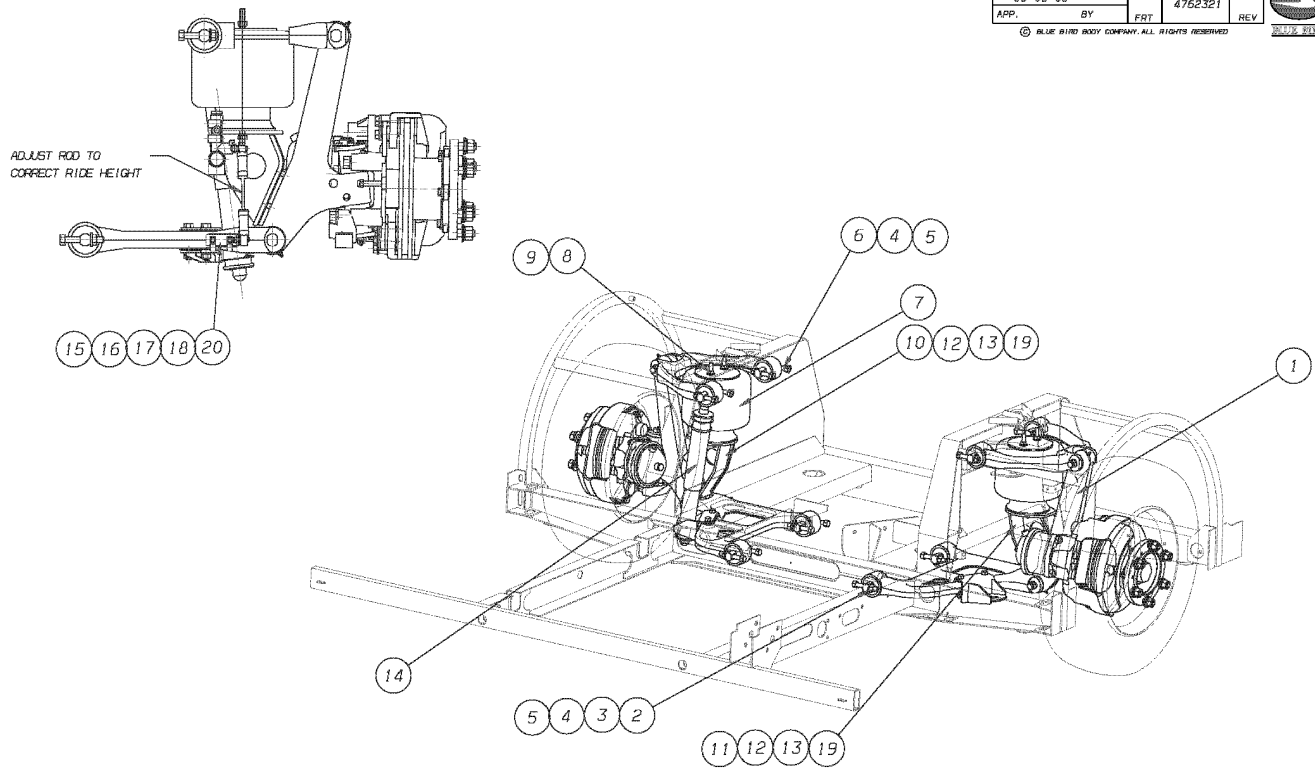
REAR

INSTALLATION DIAGRAM

\_\_\_\_\_ 6

**Models: L3RE  
FRONT  
AIR DISC BRAKES**

Key PartNumber Qty Description Comment



|              |         |         |      |
|--------------|---------|---------|------|
| DR. 06-03-03 | BY: MFM | 4762321 | REV. |
| APP.         | BY: FRT |         |      |

© BLUE BIRD BODY COMPANY. ALL RIGHTS RESERVED.


|    |         |    |  |
|----|---------|----|--|
| 1  |         |    | AXLE ASSEMBLY FRT IFS/HUB, AIR DISC    |
| 2  | 4762122 | 8  | SHIM,IFS,CAMBER ADJ                    |
| 3  | 4762173 | 8  | CAPSCREW,HEX HD,M14X1.5,L90,GR10.9     |
| 4  | 4762219 | 16 | NUT,HEX HD,M14X1.5,GR10,PREVAILING     |
| 5  | 1494244 | 16 | WASHER,FLAT,19/32 X 1 3/16 X 3/32,HRD, |
| 6  | 4762172 | 8  | CAPSCREW,HEX HD,M14X1.5,L80,GR10.9     |
| 7  | 4762330 | 2  | SPRING,AIR SUSP,IFS,L3RE"              |
| 8  | 4762176 | 6  | NUT,HEX HD,M12X1.5,GR8,PREVAILING      |
| 9  | 0850776 | 6  | WASHER,FLAT,17/32 X 1 1/16 X 3/32,     |
| 10 | 4762022 |    | BRACKET ASSY,A/SUSP,FRT SPR MT,LH      |
| 11 | 4762023 |    | BRACKET ASSY,A/SUSP,FRT SPR MTG,RH     |

**Models: L3RE  
FRONT  
AIR DISC BRAKES**

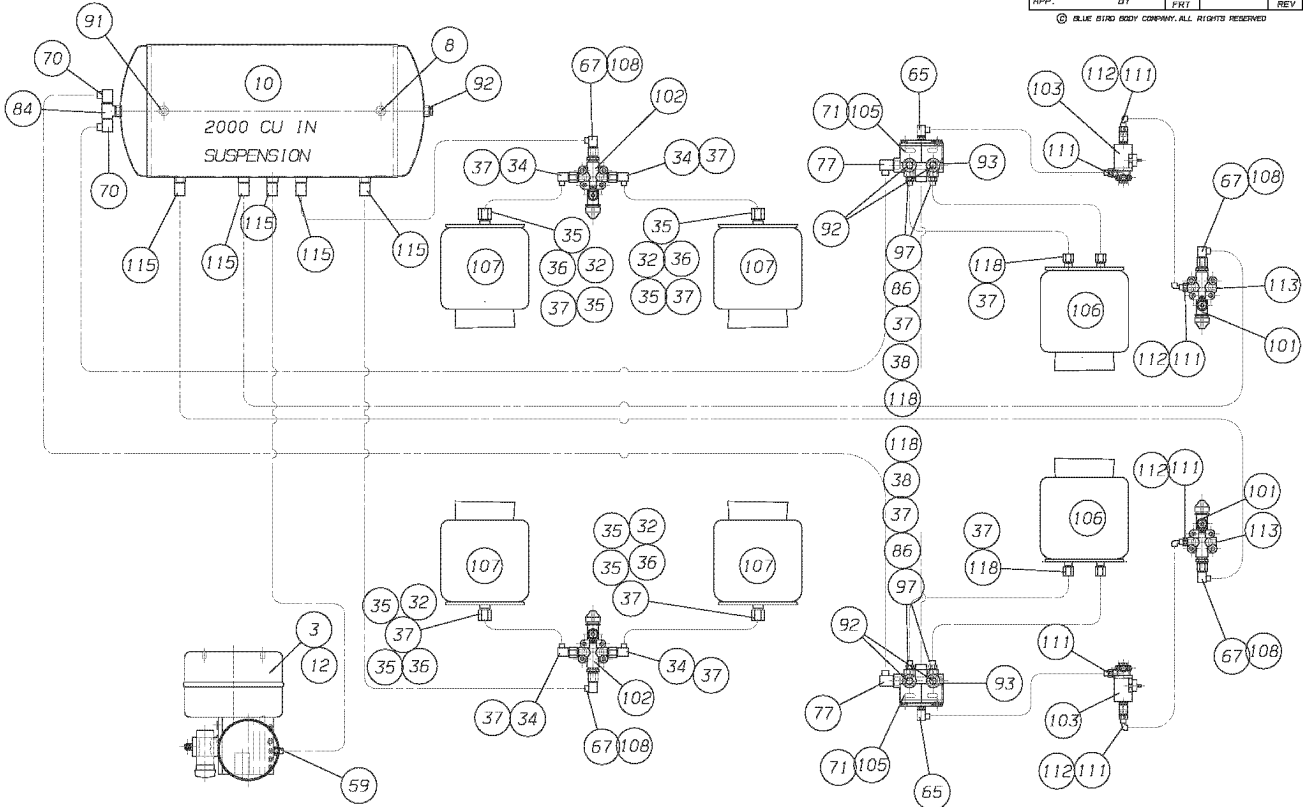
| Key | PartNumber | Qty | Description                            | Comment |
|-----|------------|-----|--|---------|
| 12  | 4762174    | 4   | CAPSCREW,HEX HD,M12X1.5,L35,GR10.9     |         |
| 13  | 1003045    | 4   | WASHER,FLAT,17/32 X 1 1/16 X 7/64,HDN, |         |
| 14  | 4761818    | 2   | SHOCK ABSB,FRT,SUSP,ARVINMERITOR       |         |
| 15  | 4761426    | 2   | BRACKET,LEVELLING VALVE,FRONT          |         |
| 16  | 0971747    | 4   | CAPSCREW,HX HD,M6-1 X 16,CL 10.9,      |         |
| 17  | 0052304    | 4   | WASHER,FLAT,1/4 ZINC PLATED GR5        |         |
| 18  | 2024370    | 4   | CLAMP,LOOP,.250                        |         |
| 19  | 1422195    |     | SEALANT,LOCTITE,THREADLOCKER 242, BLUE |         |
| 20  | 2001170    | 4   | LOCKWASHER,SPLIT RING, 1/4 ,MED,YEL ZN |         |

**Models: L3RE  
FRONT  
AIR PIPING DIAGRAM**

| Key | PartNumber | Qty | Description | Comment |
|-----|------------|-----|-------------|---------|
|-----|------------|-----|-------------|---------|

|            |       |          |   |
|------------|-------|----------|---|
| DR. 6-6-03 | BY mr | 47620125 |  |
| APP. UY    | PRT   | REV      |   |

© BLUE BIRD BODY COMPANY. ALL RIGHTS RESERVED



|    |         |    |  |
|----|---------|----|--|
| 3  | 4761684 |    | VALVE ASSY,AIR DRY,TYPE ADIS DLU       |
| 8  | 4758514 | 4  | DRAIN VALVE                            |
| 10 | 4762749 |    | RESERVOIR,AIR,SGL,OD10.5               |
| 12 | 4762269 |    | KIT,AIR DRY,SILENCER,AD1S              |
| 32 | 4762624 | 4  | FITTING,PNEU,BLANKING PLUG             |
| 34 | 4762155 | 4  | FITTING,PNEU,CONN MALE,M12 X 6 OD      |
| 35 | 4762156 | 8  | FITTING,PNEU,CMPRSN NUT,6 OD           |
| 36 | 4762157 | 4  | FITTING,PNEU,CMPRSN OLIVE,6 OD         |
| 37 | 4762158 | 17 | FITTING,PNEU,TUBE INSERT,6 OD          |
| 38 | 4762159 | 5  | FITTING,PNEU,CONN MALE,6 OD X 1/4NPT   |
| 59 | 0009924 | 15 | CONNECTOR,MALE,1868X6-Z,.25MPT X .38T" |

**Models: L3RE  
FRONT  
AIR PIPING DIAGRAM**

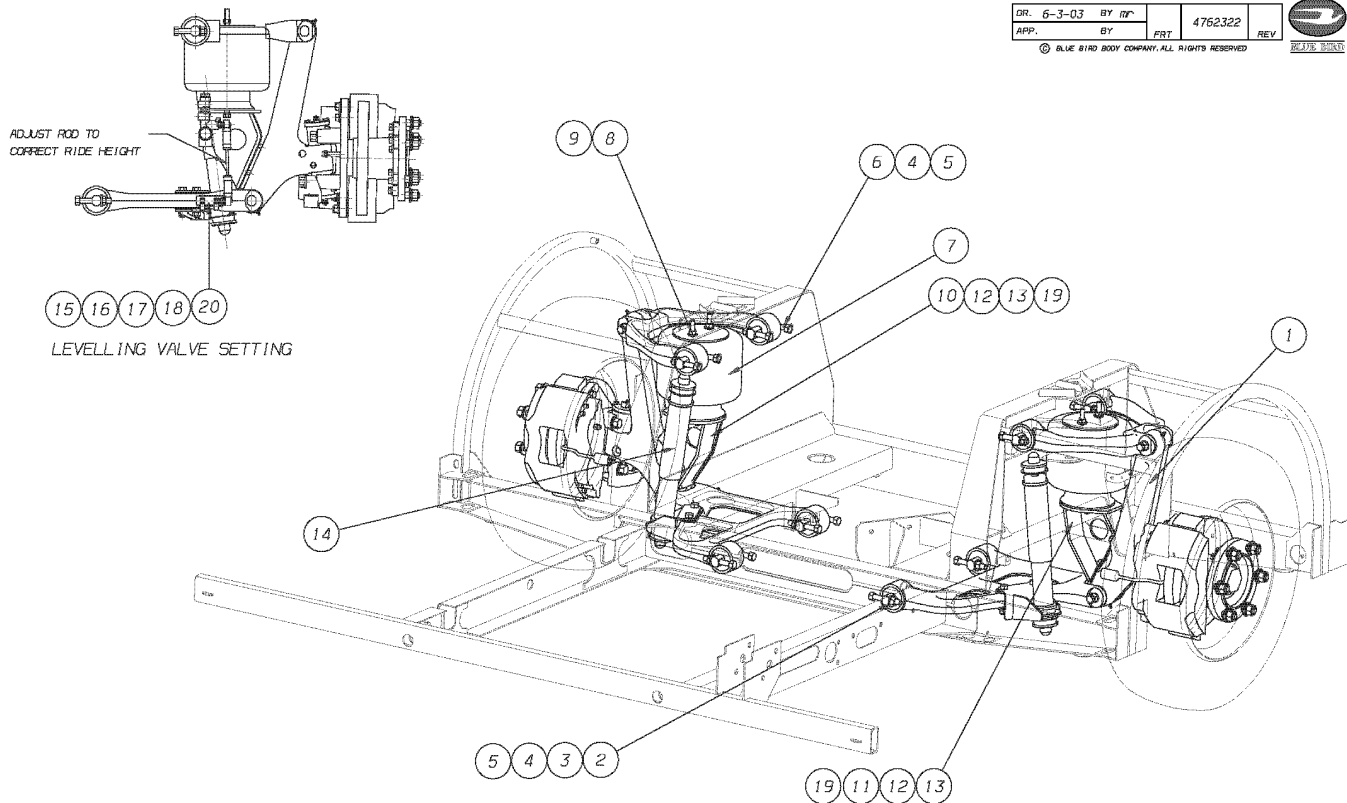
| Key | PartNumber | Qty | Description                           | Comment |
|-----|------------|-----|---------------------------------------|---------|
| 65  | 0009912    | 7   | ELBOW,90 DEG,MALE1869X4X4-Z,.25MPT    |         |
| 67  | 1725837    | 6   | ELBOW,PRESTOMATIC,SWIV,3/8T X         |         |
| 70  | 1724707    | 4   | ELBOW,PRESTOMATIC,SWIV,1/2T X         |         |
| 71  | 4760362    | 3   | FITTING CONN SW ELBOW 1/2OD X 1/2 NPT |         |
| 77  | 4760367    | 2   | FITTING CONN 45DEG SW ELBOW 1/2       |         |
| 84  | 4760370    |     | FITTING BRANCH TEE 3/8 NPT            |         |
| 86  | 2023554    | 7   | ELBOW,STREET,0.375 PIPE,BRASS         |         |
| 91  | 4759631    | 3   | FITTING PLUG SQ.HD.4                  |         |
| 92  | 4760373    | 8   | FITTING PLUG SQUARE HD 6              |         |
| 93  | 4760374    | 3   | FITTING PLUG SQUARE HD 8              |         |
| 97  | 2027134    | 12  | BUSHING,PIPE,3/8 X 1/4,BRASS          |         |
| 10  | 4761398    | 2   | VALVE,KIT,LEVELLING FRONT             |         |
| 10  | 4761399    | 2   | VALVE,KIT,LEVELLING REAR              |         |
| 10  | 4758714    | 2   | ELECTRO PNEUMATIC VALVE EDP26AA       |         |
| 10  | 4758716    | 2   | RELAY VALVE                           |         |
| 10  | 4762330    |     | SPRING,AIR SUSP,IFS,L3RE"             |         |
| 10  | 4762330    |     | SPRING,AIR SUSP,IFS,L3RE"             |         |

**Models: L3RE  
FRONT  
HYDRAYLIC DISC BRAKES**

Key PartNumber Qty Description Comment

|            |         |         |     |
|------------|---------|---------|-----|
| DR. 6-3-03 | BY: RFP | 4762322 | REV |
| APP.       | BY: FRT |         |     |

© BLUE BIRD BODY COMPANY. ALL RIGHTS RESERVED



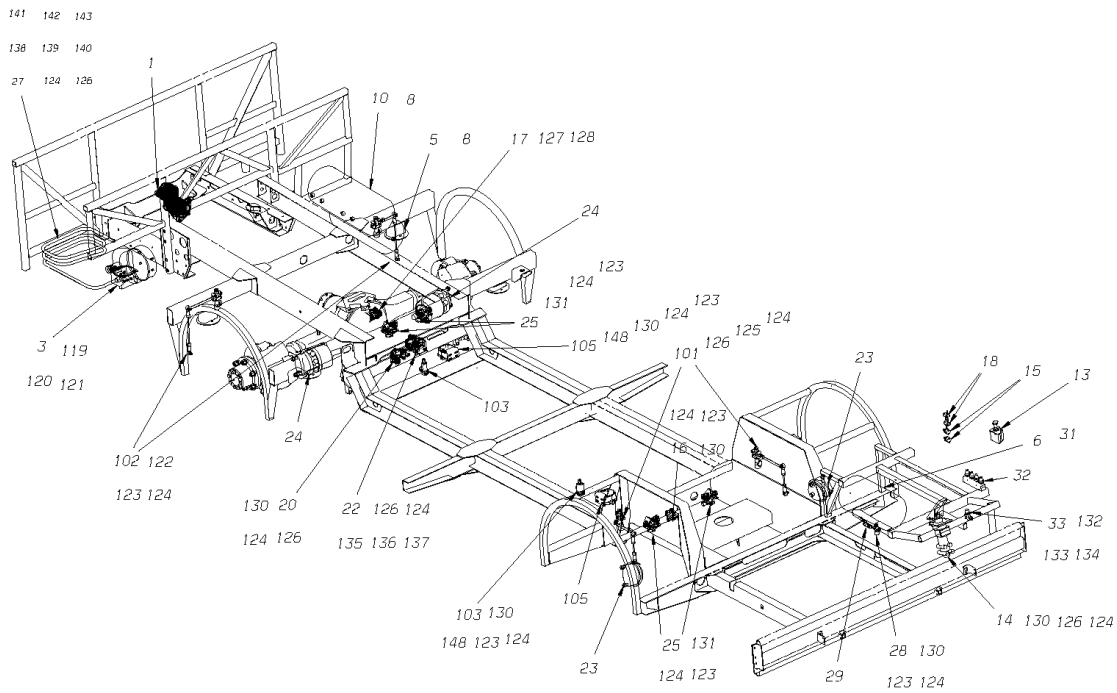
|    |         |    |  |
|----|---------|----|--|
| 1  |         |    | AXLE ASSEMBLY, FRT IFS/HUB, HYD DISC   |
| 2  | 4762122 | 8  | SHIM,IFS,CAMBER ADJ                    |
| 3  | 4762173 | 8  | CAPSCREW,HEX HD,M14X1.5,L90,GR10.9     |
| 4  | 4762219 | 16 | NUT,HEX HD,M14X1.5,GR10,PREVAILING     |
| 5  | 1494244 | 16 | WASHER,FLAT,19/32 X 1 3/16 X 3/32,HRD, |
| 6  | 4762172 | 8  | CAPSCREW,HEX HD,M14X1.5,L80,GR10.9     |
| 7  | 4762330 | 2  | SPRING,AIR SUSP,IFS,L3RE"              |
| 8  | 4762176 | 6  | NUT,HEX HD,M12X1.5,GR8,PREVAILING      |
| 9  | 0850776 | 6  | WASHER,FLAT,17/32 X 1 1/16 X 3/32,     |
| 10 | 4762022 |    | BRACKET ASSY,A/SUSP,FRT SPR MT,LH      |
| 11 | 4762023 |    | BRACKET ASSY,A/SUSP,FRT SPR MTG,RH     |

**Models: L3RE  
FRONT  
HYDRAYLIC DISC BRAKES**

| Key | PartNumber | Qty | Description                            | Comment |
|-----|------------|-----|--|---------|
| 12  | 4762174    | 4   | CAPSCREW,HEX HD,M12X1.5,L35,GR10.9     |         |
| 13  | 1003045    | 4   | WASHER,FLAT,17/32 X 1 1/16 X 7/64,HDN, |         |
| 14  | 4761818    | 2   | SHOCK ABSB,FRT,SUSP,ARVINMERITOR       |         |
| 15  | 4761426    | 2   | BRACKET,LEVELLING VALVE,FRONT          |         |
| 16  | 0971747    | 4   | CAPSCREW,HX HD,M6-1 X 16,CL 10.9,      |         |
| 17  | 0052304    | 4   | WASHER,FLAT,1/4 ZINC PLATED GR5        |         |
| 18  | 2024370    | 4   | CLAMP,LOOP,.250                        |         |
| 19  | 2001170    | AR  | LOCKWASHER,SPLIT RING, 1/4 ,MED,YEL ZN |         |
| 20  | 2001170    | 4   | LOCKWASHER,SPLIT RING, 1/4 ,MED,YEL ZN |         |

**Models: L3RE  
FRONT  
KNEELING VALVES LOCATIONS**

| Key | PartNumber | Qty | Description | Comment |
|-----|------------|-----|-------------|---------|
|-----|------------|-----|-------------|---------|





**Models: L3RE  
FRONT  
KNEELING VALVES LOCATIONS**

| Key | PartNumber | Qty | Description                             | Comment                                  |
|-----|------------|-----|---|--|
| 1   |            |     | AIR COMPRESSOR                          | <i>SUPPLIER BY CUMMINS</i>               |
| 3   | 4761684    |     | VALVE ASSY,AIR DRY,TYPE ADIS DLU        |  |
| 5   | 4757945    |     | RESERVOIR,AIR,DUAL,OD9.5                |  |
| 6   | 4762869    |     | RESERVOIR,AIR,SGL,OD9.5                 |  |
| 8   | 4758514    | 4   | DRAIN VALVE                             |  |
| 10  | 4762749    |     | RESERVOIR,AIR,SGL,OD10.5                |  |
| 13  | 4758519    |     | DASH CONTROL VALVE                      |  |
| 14  | 4760134    |     | VALVE,BRAKE,DUAL,WITH BVA               |  |
| 15  | 4758521    | 2   | STOP LIGHT SWITCH                       |  |
| 16  | 4758522    |     | QUICK RELEASE VALVE QR 1/QR N           |  |
| 17  | 1220128    |     | VALVE,SPRING BRAKE,RELAY,QR-1C          |  |
| 18  | 0982918    | 2   | INDICATOR,LOW PRESSURE,LP-3,30 PSI      |  |
| 20  | 0654426    |     | VALVE,SPRING BRAKE                      |  |
| 22  | 1995851    |     | VALVE,RELAY,R12 W/DOUBLE CHECK,ABS      |  |
| 23  |            | 2   | ACTUATOR BRAKE                          | <i>SUPPLIED BY SUSPENSION<br/>VENDOR</i> |
| 24  |            | 2   | ACTUATOR SPRING BRAKE                   | <i>SUPPLIED BY AXLE VENDOR</i>           |
| 25  | 0014460    | 4   | MODULATOR,ABS,AIR BRAKE,BENDIX M-30     |  |
| 27  | 4762154    |     | COIL,COOLING,PNEUMATIC SYS,L3RE         |  |
| 28  | 4760131    |     | VALVE PRESSUR REDUCING,KNEELING VALVES, |  |
| 29  | 4762438    |     | VALVE,SOLENOID,ELECTRO-PNEUMATIC,24V"   |  |
| 32  | 4762624    | 3   | FITTING,PNEU,BLANKING PLUG              |  |
| 33  | 4761766    |     | VALVE ASSY,STRG,COLUMN ADJUST           |  |
| 10  | 4761398    | 2   | VALVE,KIT,LEVELLING FRONT               |  |

**Models: L3RE  
FRONT  
KNEELING VALVES LOCATIONS**

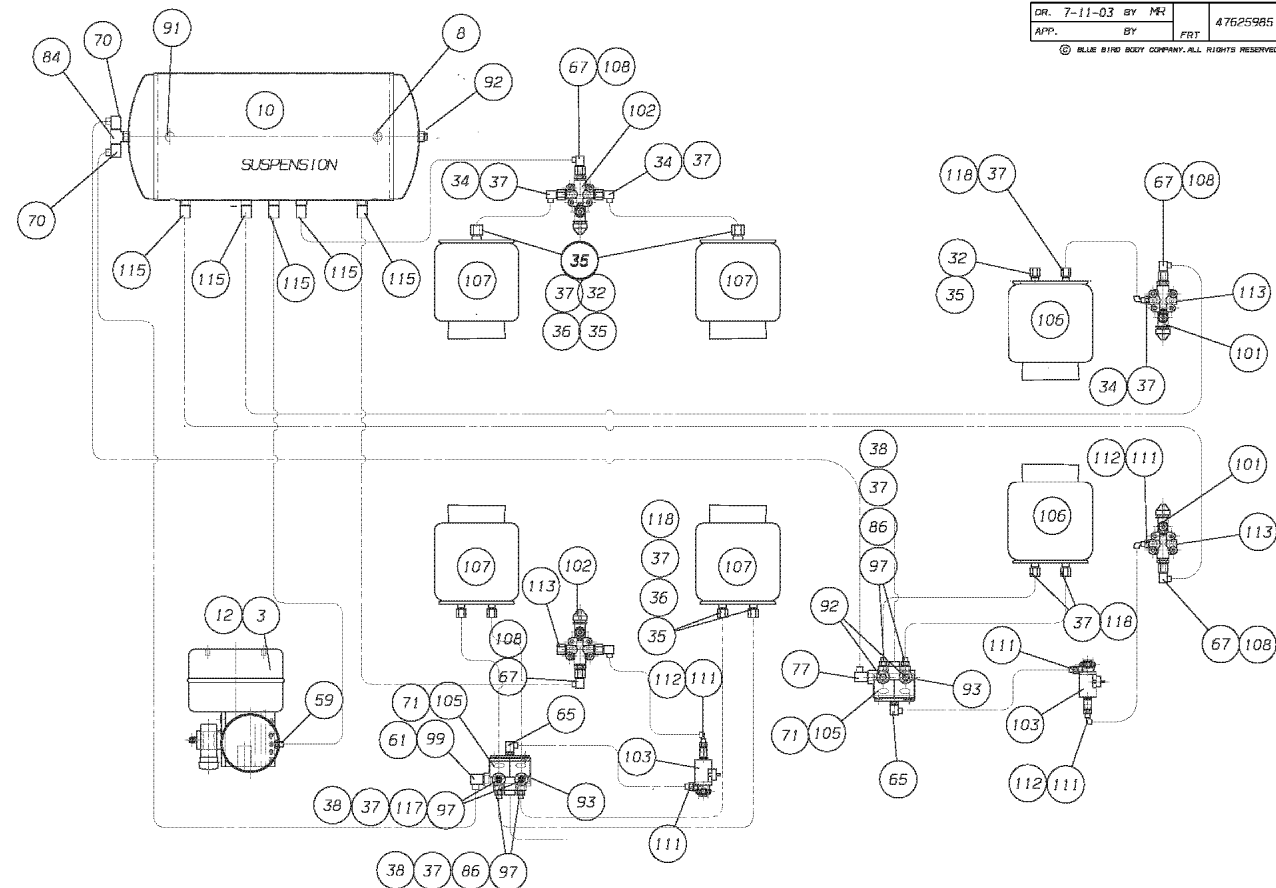
| Key | PartNumber | Qty | Description                             | Comment |
|-----|------------|-----|---|---------|
| 10  | 4761399    |     | VALVE,KIT,LEVELLING REAR                |         |
| 10  | 4758714    | 2   | ELECTRO PNEUMATIC VALVE EDP26AA         |         |
| 10  | 4758746    | 2   | KIT,HEATER,WEBASTO THERMO 300           |         |
| 11  | 4761679    |     | BRACKET,MTG,AIR DRYER,AD1S              |         |
| 12  | 0882803    | 6   | CAPSCREW,HEX HD,3/8-16,X,1,,GR5,YELDICH |         |
| 12  | 0826297    | 6   | NUT,HEX HD,3/8-16 LOCK,YEL ZN DICH      |         |
| 12  | 1032309    | 4   | CAPSCREW,HEX HD,5/16-18X 2,GR 5,YEL ZN  |         |
| 12  | 2001188    | 23  | LOCKWASHER,SPLIT RING, 5/16,MED,YEL ZN  |         |
| 12  | 2001048    | 70  | WASHER,FLAT,11/32 X 11/16 X 1/16,YEL    |         |
| 12  | 0616748    | 4   | CAPSCREW,HEX HD,5/16-18X2 1/4,GR5,      |         |
| 12  | 1465954    | 58  | NUT,HEX HD,5/16-18,LK,NYLON INSERT,YEL  |         |
| 12  | 1030998    | 2   | NUT,HEX HD,M8-1.25,ZINC                 |         |
| 12  | 4755200    | 2   | WASHER,M8,INT S PROOF,ZY                |         |
| 13  | 0989145    | 40  | CAPSCREW,HEX HD,5/16-18, X, 1, ,GR5,    |         |
| 13  | 2028306    | 8   | CAPSCREW,HEX HD,5/16-18X3,GR 5,YEL ZN   |         |
| 13  | 1247709    | 2   | WASHER,FLAT,17/64 ID X,5/8,YEL ZN DICH  |         |
| 13  | 1465947    | 2   | NUT,HEX HD,1/4-20,LK,NYLON INSERT,YEL   |         |
| 13  | 2000339    | 2   | CAPSCREW, HEX HD, 5/8-11 X 1-1/2, GR5,  |         |
| 13  | 2001493    | 2   | NUT,HEX HD,5/8-11,YEL ZN DICH           |         |
| 13  | 4762561    |     | BRACKET,PNEU,RELAY VALVE MTG            |         |
| 13  | 4761925    |     | BRACKET,ASSY,MTG,AIR DRYER PIPE         |         |
| 13  | 2000321    | 2   | CAPSCREW,HEX HD,1/2-13 X 1 1/2,GR5,     |         |
| 14  | 1010024    | 2   | NUT,HEX HD,1/2-13,GR 8,LG FL,L/N,YEL ZN |         |

**Models:** L3RE  
FRONT  
KNEELING VALVES LOCATIONS

| Key | PartNumber | Qty | Description                        | Comment |
|-----|------------|-----|------------------------------------|---------|
| 14  | 4759590    |     | BRACKET PIPE SUPPORT ANGLED 2 SLOT |         |
| 14  | 1032283    | 8   | CAPSCREW,HEX HD,5/16-18,X,3/4,GR5, |         |
| 14  | 4759592    |     | BRACKET PIPE SUPPORT ANGLED 4 SLOT |         |
| 14  | 4759346    | 2   | PLATE MTG KNEELING SYSTEM          |         |


**Models: L3RE  
FRONT  
SUSPENSION AND KNEELING SYSTEM**

| Key | PartNumber | Qty | Description | Comment |
|-----|------------|-----|-------------|---------|
|-----|------------|-----|-------------|---------|



|             |       |          |     |
|-------------|-------|----------|-----|
| DR. 7-11-03 | BY M4 | 47625985 | REV |
| APP.        | BY    | FRT      |     |

© BLUE BIRD BODY COMPANY. ALL RIGHTS RESERVED



|    |         |    |                                   |
|----|---------|----|-----------------------------------|
| 3  | 4761684 |    | VALVE ASSY,AIR DRY,TYPE ADIS DLU  |
| 8  | 4758514 | 4  | DRAIN VALVE                       |
| 10 | 4762749 |    | RESERVOIR,AIR,SGL,OD10.5          |
| 12 | 4762269 |    | KIT,AIR DRY,SILENCER,AD1S         |
| 27 | 4762154 |    | COIL,COOLING,PNEUMATIC SYS,L3RE   |
| 32 | 4762624 | 3  | FITTING,PNEU,BLANKING PLUG        |
| 34 | 4762155 | 3  | FITTING,PNEU,CONN MALE,M12 X 6 OD |
| 35 | 4762156 | 9  | FITTING,PNEU,CMPRSN NUT,6 OD      |
| 36 | 4762157 | 6  | FITTING,PNEU,CMPRSN OLIVE,6 OD    |
| 37 | 4762158 | 19 | FITTING,PNEU,TUBE INSERT,6 OD     |

**Models: L3RE  
FRONT  
SUSPENSION AND KNEELING SYSTEM**

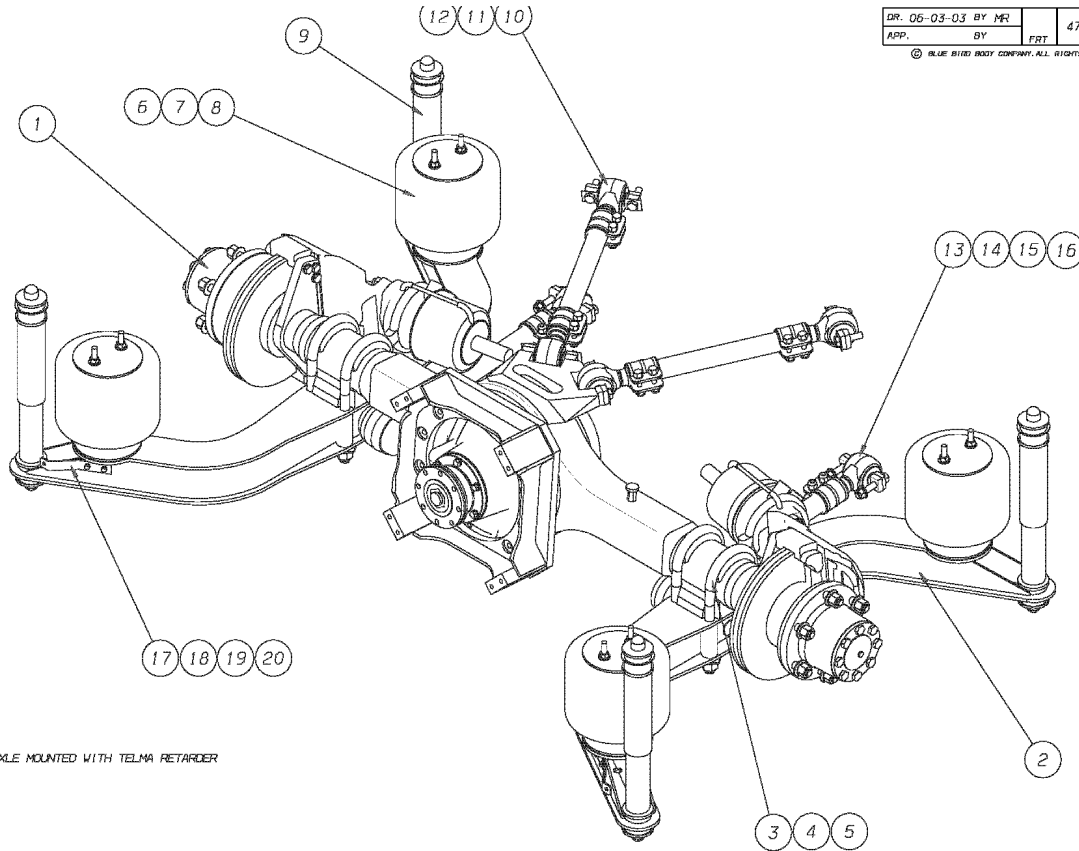
| Key | PartNumber | Qty | Description                             | Comment |
|-----|------------|-----|---|---------|
| 38  | 4762159    | 7   | FITTING,PNEU,CONN MALE,6 OD X 1/4NPT    |         |
| 59  | 0009924    | 15  | CONNECTOR,MALE,1868X6-Z,.25MPT X .38T"  |         |
| 61  | 0009921    | 5   | CONNECTOR,MALE,1868X8-Z,.38MPT X .50T"  |         |
| 65  | 0009912    | 7   | ELBOW,90 DEG,MALE1869X4X4-Z,.25MPT      |         |
| 67  | 1725837    | 6   | ELBOW,PRESTOMATIC,SWIV,3/8T X           |         |
| 70  | 1724707    | 2   | ELBOW,PRESTOMATIC,SWIV,1/2T X           |         |
| 71  | 4760362    | 2   | FITTING CONN SW ELBOW 1/2OD X 1/2 NPT   |         |
| 77  | 4760367    |     | FITTING CONN 45DEG SW ELBOW 1/2         |         |
| 84  | 4760370    |     | FITTING BRANCH TEE 3/8 NPT              |         |
| 86  | 2023554    | 6   | ELBOW,STREET,0.375 PIPE,BRASS           |         |
| 91  | 4759631    | 3   | FITTING PLUG SQ.HD.4                    |         |
| 92  | 4760373    | 6   | FITTING PLUG SQUARE HD 6                |         |
| 93  | 4760374    | 3   | FITTING PLUG SQUARE HD 8                |         |
| 97  | 2027134    | 14  | BUSHING,PIPE,3/8 X 1/4,BRASS            |         |
| 99  | 2023539    | 3   | BUSHING,PIPE,1/2MPT X 3/8FPT,3220X8X6Z, |         |
| 10  | 4761398    | 2   | VALVE,KIT,LEVELLING FRONT               |         |
| 10  | 4761399    | 2   | VALVE,KIT,LEVELLING REAR                |         |
| 10  | 4758714    | 2   | ELECTRO PNEUMATIC VALVE EDP26AA         |         |
| 10  | 4758716    | 2   | RELAY VALVE                             |         |
| 10  |            | 2   | AIR SPRING ASSEMBLY FRONT               |         |
| 10  |            | 4   | AIR SPRING ASSEMBLY REAR                |         |
| 10  | 4760375    | 4   | FITTING ADAPTOR M12X1/4NPT              |         |
| 11  | 4760378    | 6   | FITTING CONN MALE M12X1/4OD             |         |

**Models: L3RE  
FRONT  
SUSPENSION AND KNEELING SYSTEM**

| Key | PartNumber | Qty | Description                         | Comment |
|-----|------------|-----|-------------------------------------|---------|
| 11  | 4760379    |     | FITTING UNION ELBOW 1/4OD           |         |
| 11  | 4760380    | 3   | FITTING PLUG M12                    |         |
| 11  | 0009911    | 2   | ELBOW,90 DEG,MALE1869X6X6-Z,.38MPT  |         |
| 11  | 2008282    | 4   | ELBOW,STREET,45 DEG,3350X6Z,BRASS   |         |
| 11  | 4762270    | 9   | FITTING,PNEU,CMPRSN ELBOW,6OD X 60D |         |

**Models: L3RE  
REAR  
INSTALLATION DIAGRAM**

| Key | PartNumber | Qty | Description | Comment |
|-----|------------|-----|-------------|---------|
|-----|------------|-----|-------------|---------|



|              |       |         |     |  |
|--------------|-------|---------|-----|--|
| DR. 06-03-03 | BY MR | 4762631 | REV |  |
| APP.         | BY    | FRT     | REV |  |

© BLUE BIRD BODY COMPANY. ALL RIGHTS RESERVED

OWN WITH AIR DISC AXLE MOUNTED WITH TELMA RETARDER

|    |         |    |                                    |
|----|---------|----|------------------------------------|
| 1  |         |    | AXLE ASSEMBLY                      |
| 2  | 4762427 | 2  | STRUCTURE ASSY,REAR,C-BEAM         |
| 3  | 4762574 | 4  | U-BOLT,REAR AXLE,L3RE              |
| 4  | 4762117 | 8  | WASHER,FLAT,4 X 22 X 50            |
| 5  | 4752552 | 8  | NUT U BOLT M22X1.5 NYLOC GR10      |
| 6  | 4762330 | 4  | SPRING,AIR SUSP,IFS,L3RE"          |
| 7  | 4762176 | 12 | NUT,HEX HD,M12X1.5,GR8,PREVAILING  |
| 8  | 0850776 | 12 | WASHER,FLAT,17/32 X 1 1/16 X 3/32, |
| 9  | 4761563 | 4  | SHOCK ABSB,ARVINMERITOR OTX665839  |
| 10 | 4761764 | 2  | LINK,SUSP,UPPER,REAR               |
| 11 | 4762608 | 8  | CAPSCREW,HEX HD,M14-1.5X55,GR10.9  |

**Models: L3RE  
REAR  
INSTALLATION DIAGRAM**

| Key | PartNumber | Qty | Description                            | Comment |
|-----|------------|-----|--|---------|
| 12  | 4762610    | 8   | WASHER,SQUARE,REAR SUSP,L3RE           |         |
| 13  | 4761763    | 2   | LINK,SUSP,LOWER,REAR                   |         |
| 14  | 4762219    | 4   | NUT,HEX HD,M14X1.5,GR10,PREVAILING     |         |
| 15  | 1494244    | 4   | WASHER,FLAT,19/32 X 1 3/16 X 3/32,HRD, |         |
| 16  | 4762172    | 4   | CAPSCREW,HEX HD,M14X1.5,L80,GR10.9     |         |
| 17  | 4761427    | 2   | BRACKET,LEVELLING VALVE,REAR           |         |
| 18  | 0971747    | 4   | CAPSCREW,HX HD,M6-1 X 16,CL 10.9,      |         |
| 19  | 0052304    | 4   | WASHER,FLAT,1/4 ZINC PLATED GR5        |         |
| 20  | 2001170    | 4   | LOCKWASHER,SPLIT RING, 1/4 ,MED,YEL ZN |         |
| 21  | 1422195    | AR  | SEALANT,LOCTITE,THREADLOCKER 242, BLUE |         |