

**Body**

**300 Exterior**

CENTER

LOWER OUTSIDE SIDE PANELS

\_\_\_\_\_ 1

OUTSIDE SIDE PANELS

\_\_\_\_\_ 2

ROOF

\_\_\_\_\_ 3

SIDE RAILS

\_\_\_\_\_ 4

WHEELARCH TRIM

\_\_\_\_\_ 5

REAR

DOOR, BATTERY & ELECTRICS ACCESS

\_\_\_\_\_ 6

ELECTRICS ACCESS DOOR ASSY, INSTALLATION

\_\_\_\_\_ 7

RADIATOR DOOR ASSY

\_\_\_\_\_ 8

REAR

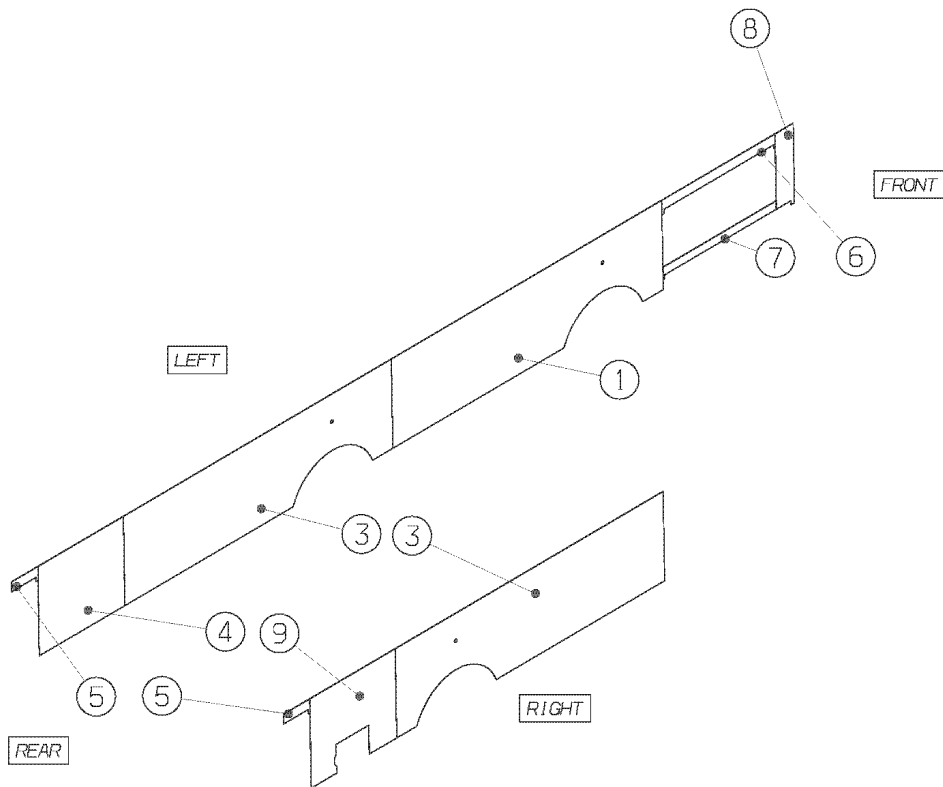
\_\_\_\_\_ 9

**Models: L3RE  
CENTER  
LOWER OUTSIDE SIDE PANELS**

Key	PartNumber	Qty	Description	Comment
-----	------------	-----	-------------	---------

DR. 12/04/03 BY TB	4763253		
APP. BY FRT	REV		

© BLUE BIRD BODY COMPANY. ALL RIGHTS RESERVED



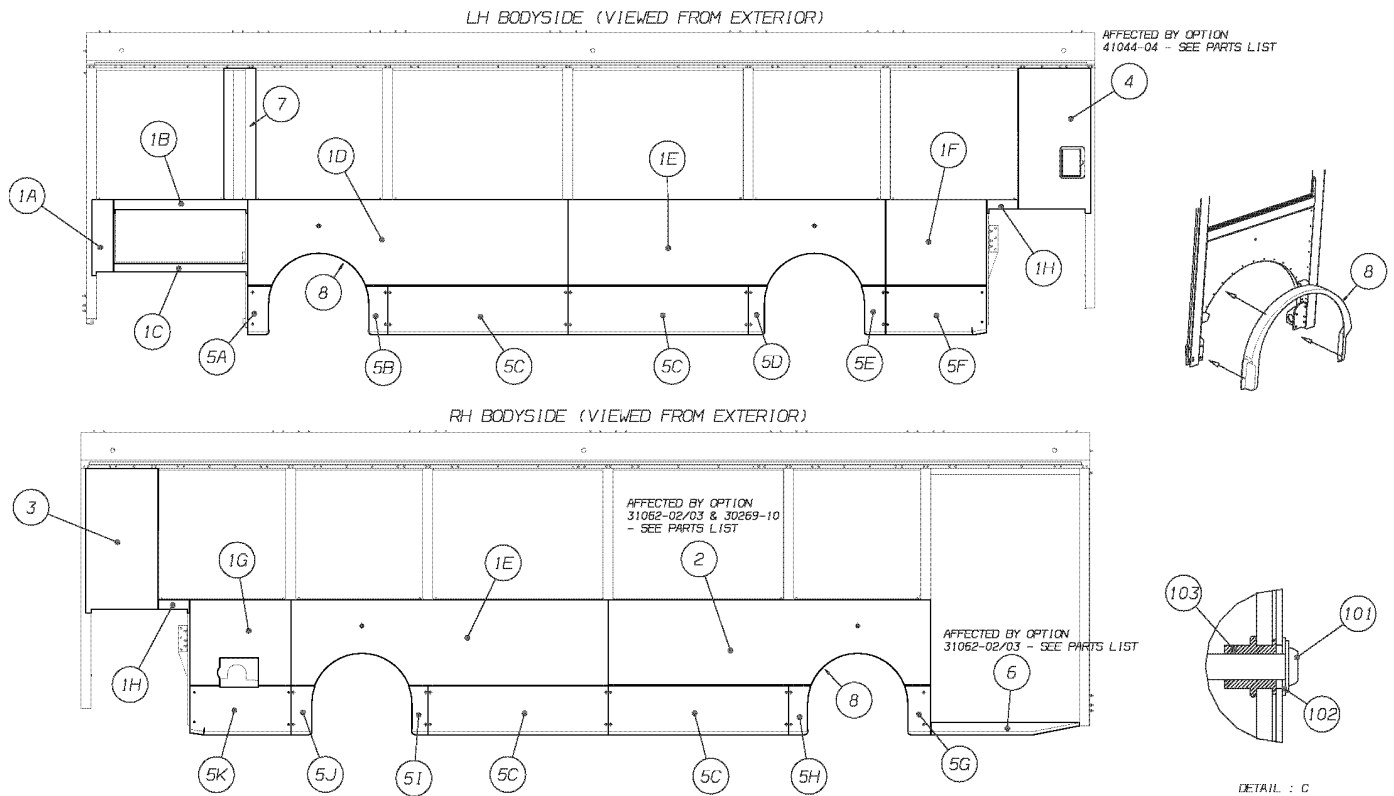
1	4761790	PANEL,EXT,WAIST,L100.67
3	4761142	PANEL,EXT,WAIST,L99.72
4	4761143	PANEL,EXT,WAIST,L31.77
5	4761787	PANEL,EXT,WAIST,L,REAR
6	4761788	PANEL,EXT,WAIST,U,FRONT,UPPER
7	4761789	PANEL,EXT,WAIST,L,FRONT,LOWER
8	4761149	PANEL,EXT,LH FRONT,WAIST
9	4762170	PANEL,EXT,WAIST,RH RR,FUEL FILLER,L3RE

**Models: L3RE  
CENTER  
OUTSIDE SIDE PANELS**

DR. 12/02/03	BY TB	4763383	
APP.	BY	FRY	REV

© BLUE BIRD BODY COMPANY. ALL RIGHTS RESERVED. BLUE BIRD

Key	PartNumber	Qty	Description	Comment
-----	------------	-----	-------------	---------



1	4763253		KIT,PANEL,SIDE WAIST,FRONT DOOR,L3RE
1A	4761149		PANEL,EXT,LH FRONT,WAIST
1B	4761788		PANEL,EXT,WAIST,U,FRONT,UPPER
1C	4761789		PANEL,EXT,WAIST,L,FRONT,LOWER
1D	4761790		PANEL,EXT,WAIST,L100.67
1E	4761142		PANEL,EXT,WAIST,L99.72
1F	4761143		PANEL,EXT,WAIST,L31.77
1G	4762170		PANEL,EXT,WAIST,RH RR,FUEL FILLER,L3RE
1H	4761787		PANEL,EXT,WAIST,L,REAR
2	4761141		PANEL,EXT,WAIST,L101.33

WITHOUT FEATURE 31062-02,  
-03 & 30269-10. WITHOUT RAMP  
& SPEAKER

**Models:** L3RE  
 CENTER  
 OUTSIDE SIDE PANELS

Key	PartNumber	Qty	Description	Comment
2	4763324		PANEL,EXT,WAIST,FWD DOOR,WITH RAMP	WITH FEATURE 31062-02, -03. WITH RAMP
2	4763325		PANEL,EXT,WAIST,FWD DOOR,WITH SPKR	WITH FEATURE 30269-10. WITH SPEAKER
2	4763326		PANEL,EXT,WAIST,FWD DOOR,WITH RAMP &	WITH FEATURE 31062-02, -03 & 30269-10. WITH RAMP & SPEAKER
3	4761147		PANEL,REAR,UPPER,SIDE	
4	4763342		PANEL ASSY,SIDE,LH,REAR UPPER,W/O SIGHT	WITHOUT FEATURE 40144-04. WITHOUT SIGHT GLASS
4	4761555		PANEL ASSY,SIDE,LH,REAR UPPER,W/SIGHT	WITH FEATURE 40144-04. WITH SIGHT GLASS
5	4761123		PANEL KIT,SKIRT,28FT,FRONT DOOR	
5A	4761791		PANEL,EXT,SKIRT,W_ARCH,LH FRONT,L6.5	
5B	4761135		PANEL,EXT,SKIRT,W_ARCH,RH,L5.9	
5C	4761132		PANEL,EXT,SKIRT,L56.6	
5D	4761138		PANEL,EXT,SKIRT,W_ARCH,LH,L5.0	
5E	4761720		PANEL,EXT,SKIRT,W_ARCH,RH,L6.5	
5F	4761133		PANEL,EXT,SKIRT,LH,REAR	
5G	4761139		PANEL,EXT,SKIRT,W_ARCH,RH,L7.2	
5H	4761136		PANEL,EXT,SKIRT,W_ARCH,LH,L5.9	
5I	4761140		PANEL,EXT,SKIRT,W_ARCH,RH,L5.0	
5J	4761721		PANEL,EXT,SKIRT,W_ARCH,LH,L6.5	
5K	4761134		PANEL,EXT,SKIRT,RH,REAR	
6	4762019		PANEL,SKIRT,FWD DOOR STEP	STEP. WITHOUT FEATURE 31062 -02, -03
6	4763259		PANEL,SKIRT,FWD DOOR,FLIP RAMP	WITH FLIP RAMP. FEATURE 31062 -02, -03
7	4761148		PANEL,EXT,LH FRONT,PILLARS	

**Models: L3RE  
CENTER  
OUTSIDE SIDE PANELS**

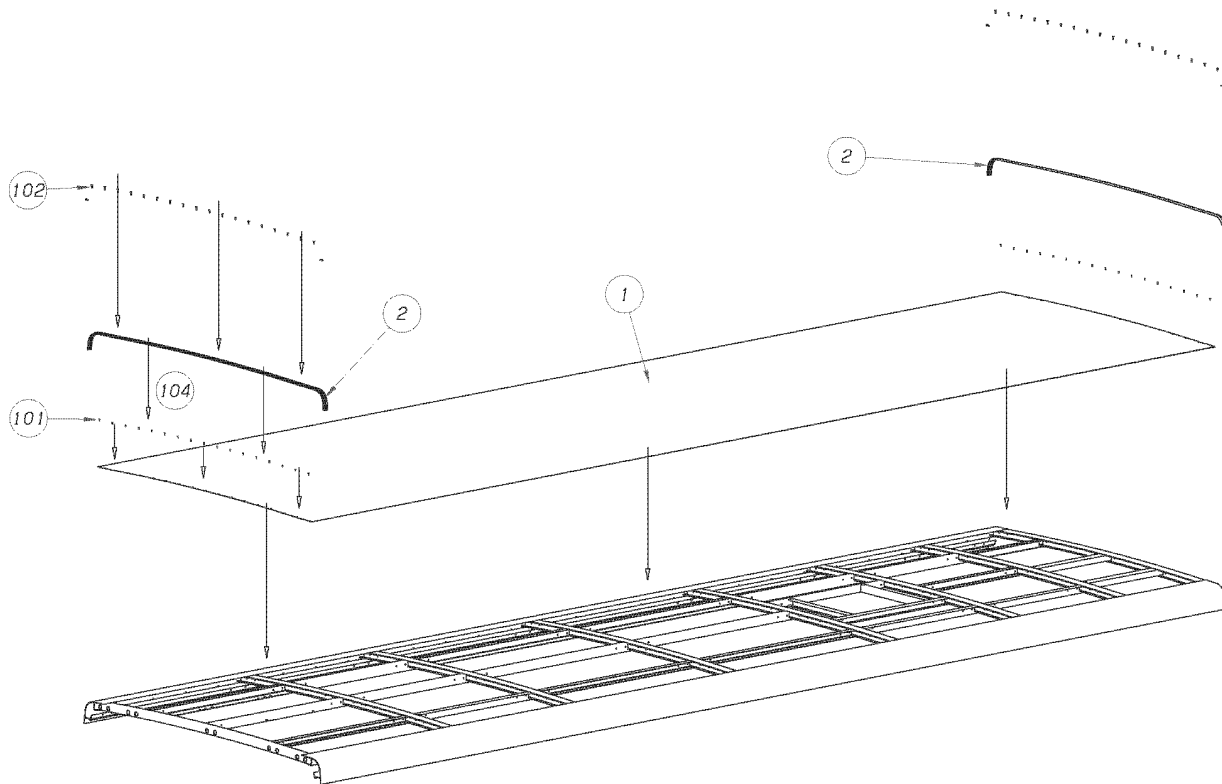
Key	PartNumber	Qty	Description	Comment
8	4760853	2	PANEL,FINISH,W/H,FRONT,L3RE	
10	4760039		SCREW SKT BTN FLG 5-16 X 1	
10	4763141		WASHER,FLAT,17/64 X 11/16,NYLON	
10	4761497		THREAD INS,.31 UNC,AVDEL DLS-518-312	
10	4761153		TAPE 1/2 INCH,WATERPROOF,INTR & EXTN	
10	4761599		RIVET,ALUM,1/8X.565,BLIND,DOM	

Models: **L3RE  
CENTER  
ROOF**

Key	PartNumber	Qty	Description	Comment
-----	------------	-----	-------------	---------

DR. 12/04/03 BY TB	4763371		
APP.	BY	FRT	REV

© BLUE BIRD BODY COMPANY. ALL RIGHTS RESERVED




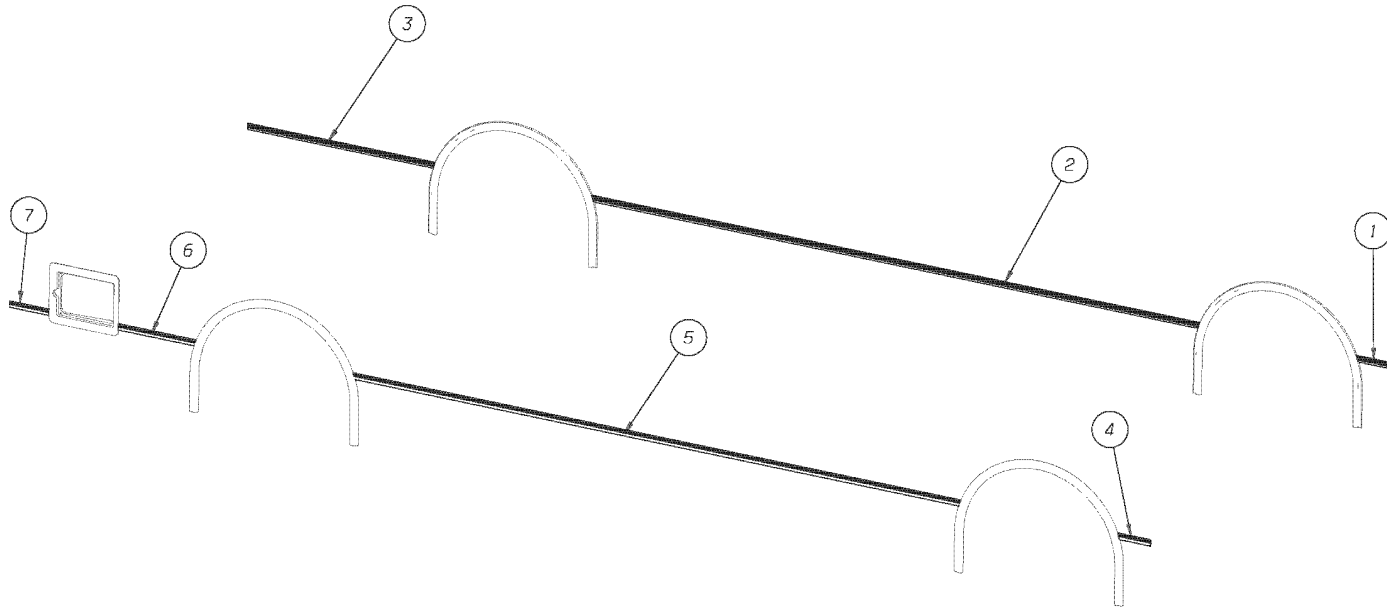
1	4763498	PANEL,ROOF,COIL,PRE-PAINTED,2125MM WIDE
2	4761666	EDGEBANDING,FIBERGLASS,ROOF
10	3851557	TAPE,DOUBLE STICK,3M,.75W X .045THK X 36
10	4763458	RIVET,CSNK,.12X.5,ALUMINIUM,SEALED
10	4763470	RIVET,CSNK,.19X.75,ALUMINIUM,SEALED
10	4761079	TAPE,ROOF PANEL,EXTERIOR
10	4762096	SEALANT,ADHESIVE,WHITE

Models: **L3RE  
CENTER  
SIDE RAILS**

Key	PartNumber	Qty	Description	Comment
-----	------------	-----	-------------	---------

DR. 12/04/03 BY TB	4763346		
APP.	BY	FRT	REV


© BLUE BIRD BODY COMPANY. ALL RIGHTS RESERVED

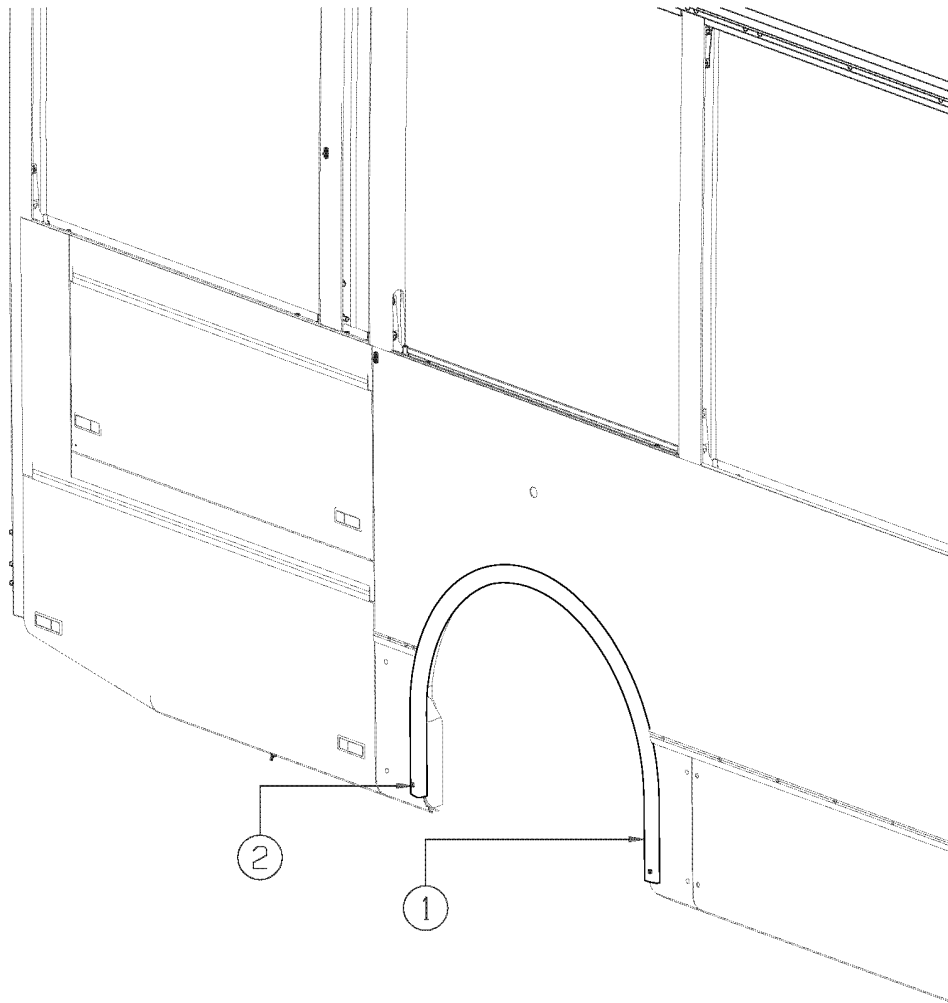
1	4763347	RAIL,EXTERNAL,RAVE LH FRONT
2	4763348	RAIL,EXTERNAL,RAVE LH CENTRE
3	4763349	RAIL,EXTERNAL,RAVE LH REAR
4	4763350	RAIL,EXTERNAL,RAVE RH FRONT
5	4763351	RAIL,EXTERNAL,RAVE RH CENTER
6	4763352	RAIL,EXTERNAL,RAVE RH REAR WARCH
7	4763353	RAIL,EXTERNAL,RAVE RH REAR FILLER

**Models:** L3RE  
 CENTER  
 WHEELARCH TRIM

Key	PartNumber	Qty	Description	Comment
-----	------------	-----	-------------	---------

DR. 12/03/03	BY TB	4763503		 BLUE BIRD
APP.	BY	FRT	REV	

© BLUE BIRD BODY COMPANY. ALL RIGHTS RESERVED

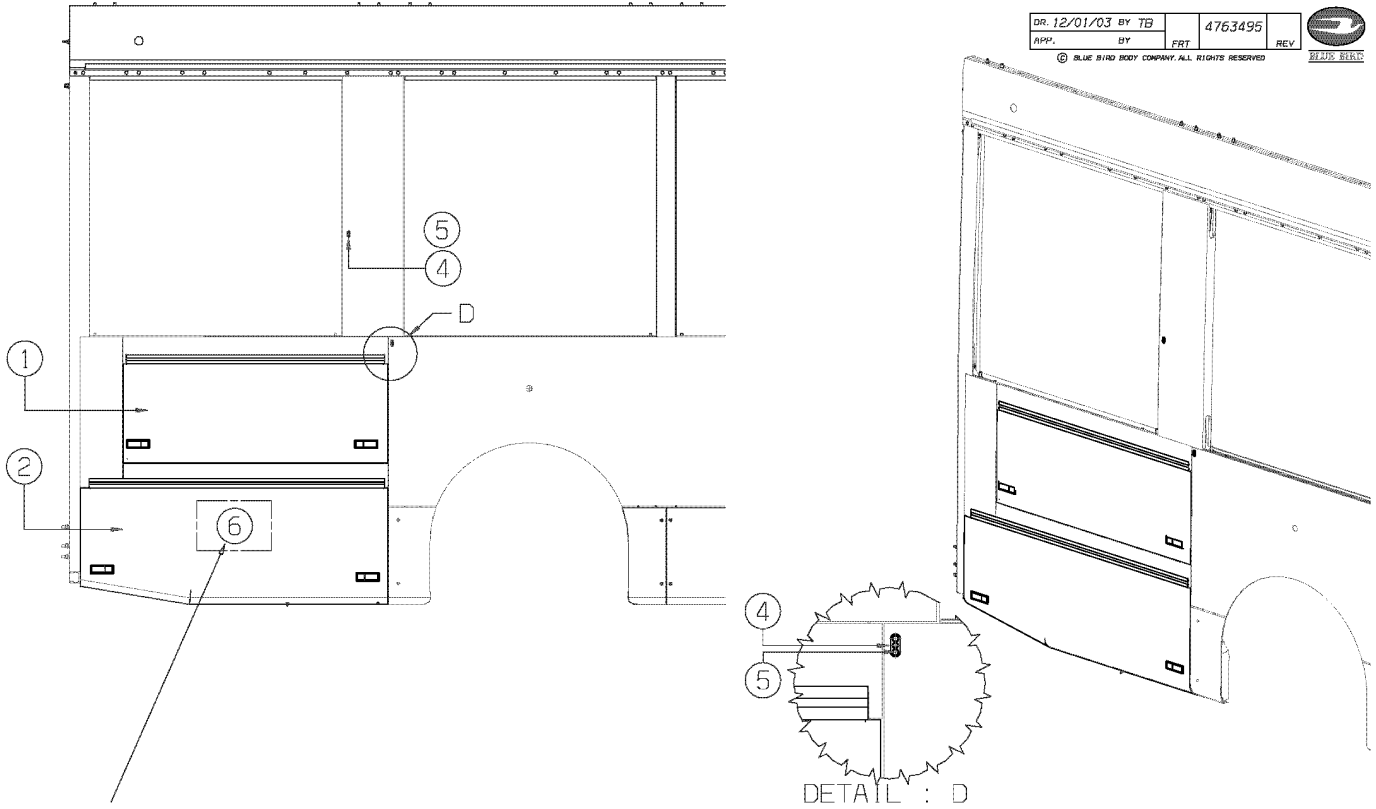


1	4763502		EXTRUSION,WHEEL,ARCH,TRIM L3RE
2	1143676		SCREW,10-16 X 3/4, AB,PH1,PAN HD,BLK ZN,
NI	4762098		SEALANT,ADHESIVE,BLACK



**Models: L3RE  
REAR  
DOOR, BATTERY & ELECTRICS ACCESS**

Key	PartNumber	Qty	Description	Comment
-----	------------	-----	-------------	---------




DR. 12/01/03 BY TB	4763495	REV
APP.	BY	FRT
© BLUE BIRD BODY COMPANY. ALL RIGHTS RESERVED		

PANEL BONDED TO INSIDE OF DOOR

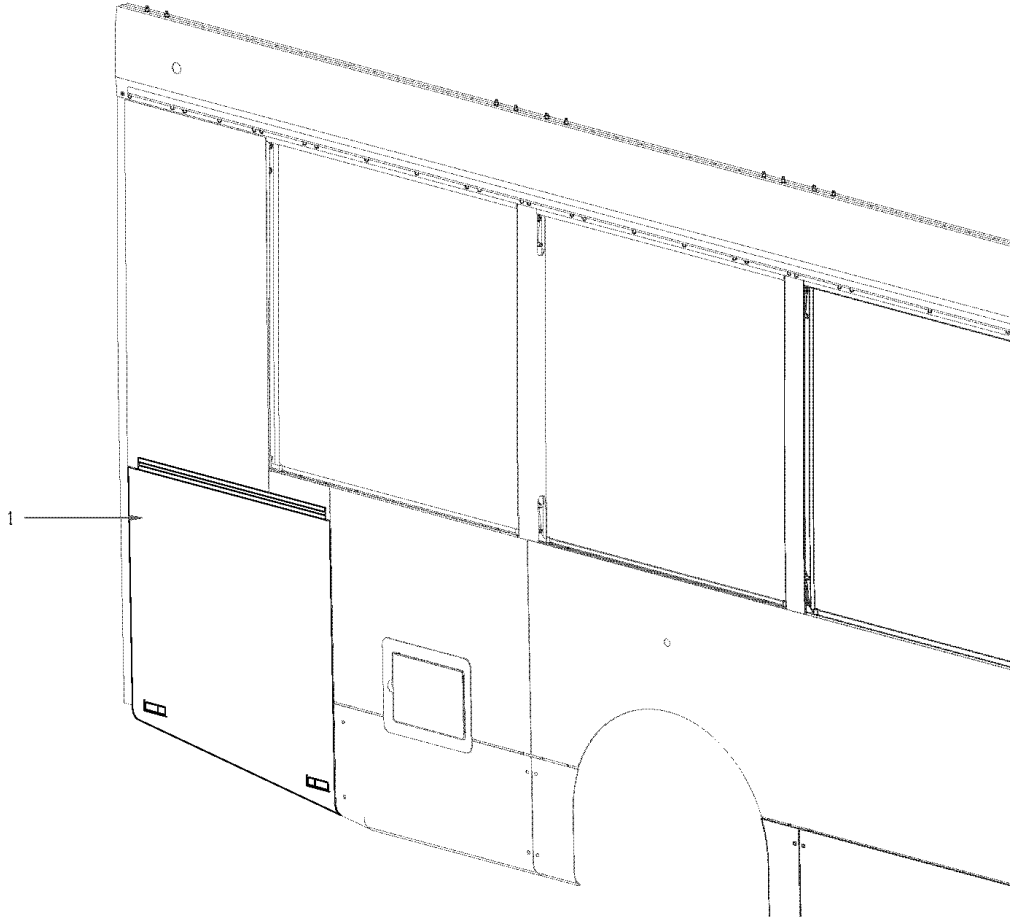
1	4760835		DOOR ASSY,ELECTRICS,LH,FRONT
2	4762017		DOOR,ASSY,BATTERY
3	4760895	16	RIVET,POP,SEALED,4.8X14.5MM,ALUM
4	4763374	2	PLATE ASSY,MTG,TENAX STUD,300 0102,
5	4760033	4	RIVET SOLID CSK ALUMINUM .125 X .375
6	4763033		PANEL,INSL,BATTERY DOOR,300X200,DS3

**Models:** L3RE  
 REAR  
 ELECTRICS ACCESS DOOR ASSY, INSTALLATION

Key	PartNumber	Qty	Description	Comment
-----	------------	-----	-------------	---------

DR. 12/01/03 BY TB	4763496	
APP. BY FRT	REV	

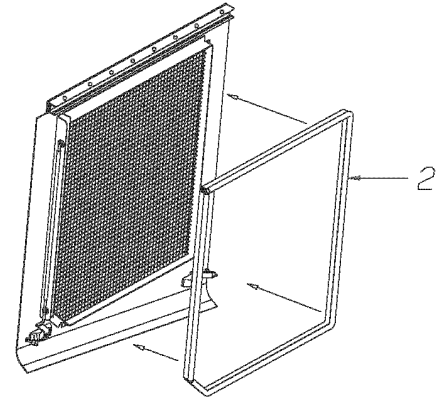
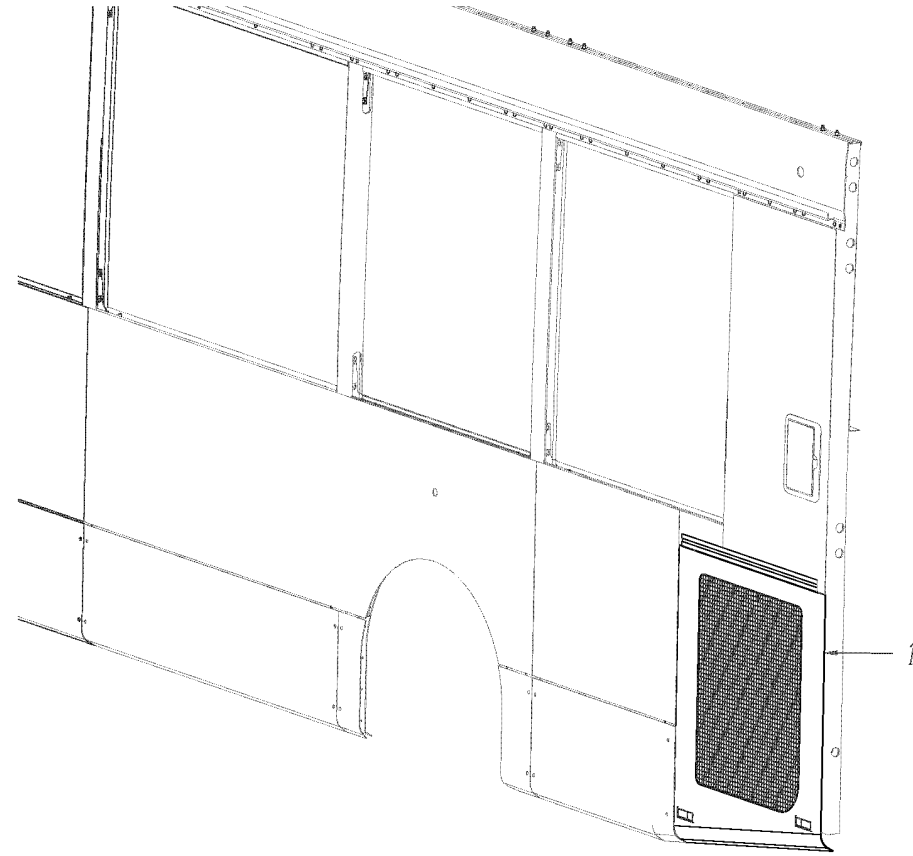
© BLUE BIRD BODY COMPANY. ALL RIGHTS RESERVED.



1	4760833		DOOR ASSY,ELECTRICS,RH,REAR	
2	4760895	8	RIVET,POP,SEALED,4.8X14.5MM,ALUM	

Models: **L3RE  
REAR  
RADIATOR DOOR ASSY**

Key	PartNumber	Qty	Description	Comment
-----	------------	-----	-------------	---------



DR. 12/01/03 BY TB	4763497	
APP. BY FRT	REV	

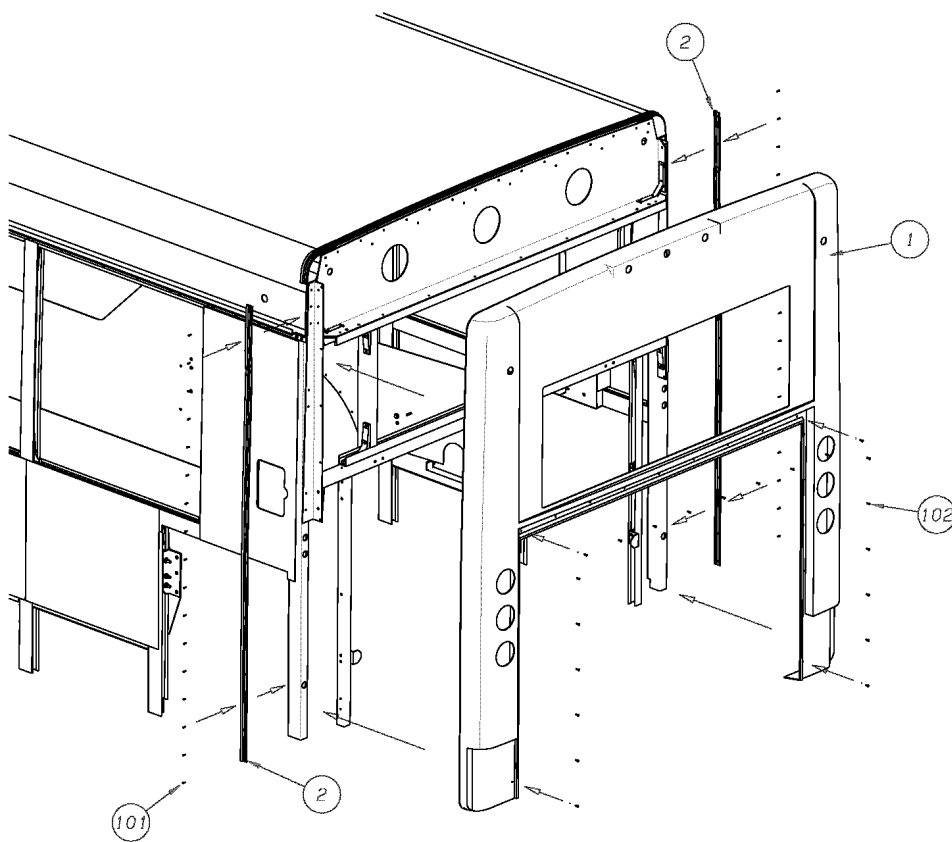
© BLUE BIRD BODY COMPANY. ALL RIGHTS RESERVED

1	4760834		DOOR ASSY,RADIATOR
NI	4760895	8	RIVET,POP,SEALED,4.8X14.5MM,ALUM
2	4762540		KIT,SEAL,RADIATOR DOOR,L3RE

**Models:** L3RE  
REAR  
REAR

Key	PartNumber	Qty	Description	Comment
-----	------------	-----	-------------	---------

DR. 12/04/03 BY TB	4763500			
APP.	BY	FRT	REV	
© BLUE BIRD BODY COMPANY. ALL RIGHTS RESERVED				



1	4760608		PANEL,REAR,FIBERGLASS
2	4761668		EDGEBANDING,FIBERGLASS,REAR,L3RE
10	4763458		RIVET,CSNK,.12X.5,ALUMINIUM,SEALED
10	4762607		RIVET,ALUM,5/32X.55,BLIND,DM,.251-.375
NI	4762097		SEALANT,ADHESIVE,GRAY