

**Body**

**320 Interior**

CENTER

FLOOR COVES & SEAT TRACKS

\_\_\_\_\_ 1

FLOOR STEPTREADS & ACCESS PLATES

FRONT DOOR WITH OUT RAMP

\_\_\_\_\_ 2

FRONT DOOR WITH RAMP

\_\_\_\_\_ 3

INSIDE SIDE PANELS & BOW CAPS

\_\_\_\_\_ 4

ROOF PANEL INSTALLATION

\_\_\_\_\_ 5

ROOF PANELS

WITH FRONT ROOF VENT

\_\_\_\_\_ 6

WITH OUT ROOF VENTS

\_\_\_\_\_ 7

WITH REAR ROOF VENT

\_\_\_\_\_ 8

FRONT

DASH

\_\_\_\_\_ 9

DRIVER'S AREA

CONSOLE

\_\_\_\_\_ 10

PARTITION

\_\_\_\_\_ 11

SURROUND, DOOR

\_\_\_\_\_ 12

ROOF, CAB

\_\_\_\_\_ 13

WHEELHOUSING SEAT, FRONT, LH

\_\_\_\_\_ 14

WHEELHOUSING SEAT, FRONT, RH

\_\_\_\_\_ 15

REAR


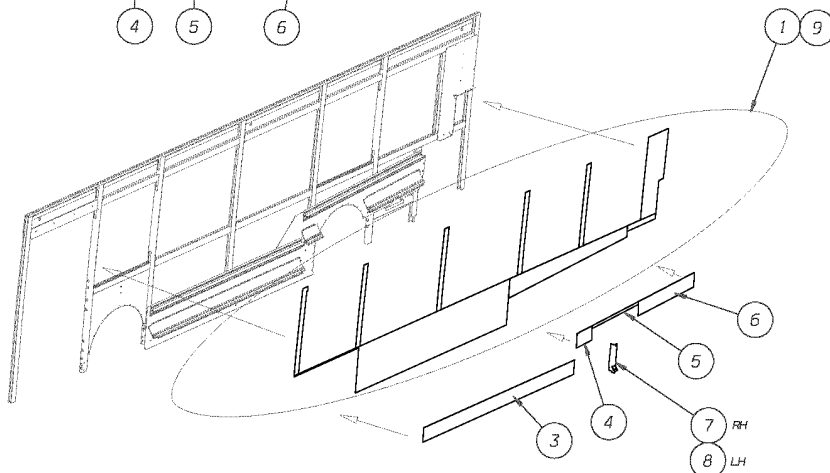
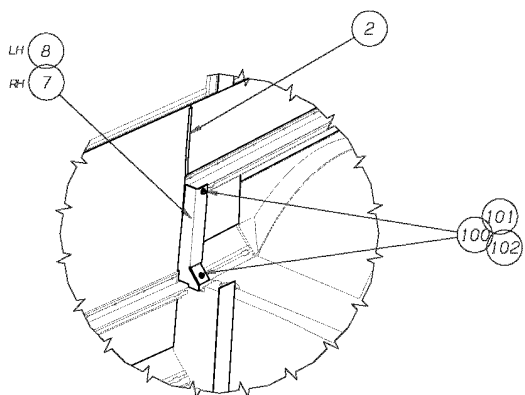
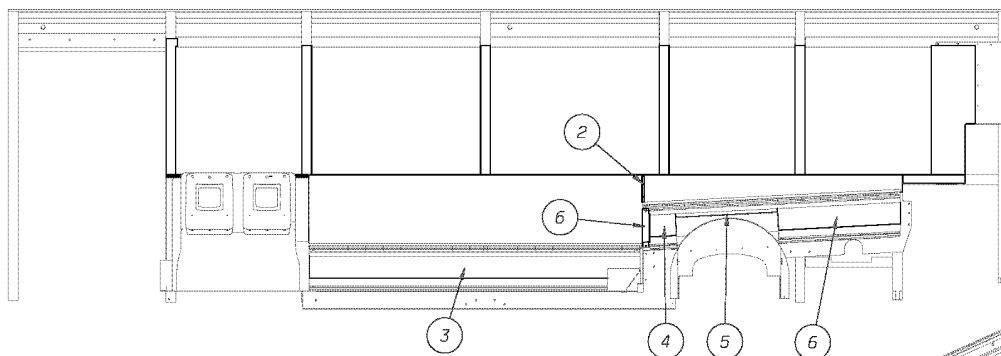
\_\_\_\_\_ 16

Models: **L3RE  
CENTER  
FLOOR COVES & SEAT TRACKS**

Key	PartNumber	Qty	Description	Comment
-----	------------	-----	-------------	---------

DR. 12/04/03	BY: TB	4763462	
APP.	BY:	FRT	REV

© BLUE BIRD BODY COMPANY. ALL RIGHTS RESERVED

1	4761215		PANEL KIT,INTERIOR SIDES,FWD DOOR,L3RE	SEE FOLLOWING PAGE FOR INDIVIDUAL PARTS
2	4763475		STRAP,JOINT,H MOULD,L230	
3	4763188		PANEL,C/OUT,FLOOR COVE,L2685	
4	4763190		PANEL,C/OUT,FLOOR COVE,RR SHORT	
5	4763191		PANEL,C/OUT,FLOOR COVE,RR W/HOUSING	
6	4763189		PANEL,C/OUT,FLOOR COVE,RR LONG	
7	4760275		BRACKET SEAT TRACK FINISHER REAR RH	
8	4760276		BRACKET SEAT TRACK FINISHER REAR LH	
9	0064342		TAPE,ADHESIVE,VHB,4955,.50W X .08THK X	
10	1032283		CAPSCREW,HEX HD,5/16-18,X,3/4,GR5,	

**Models: L3RE  
CENTER  
FLOOR COVES & SEAT TRACKS**

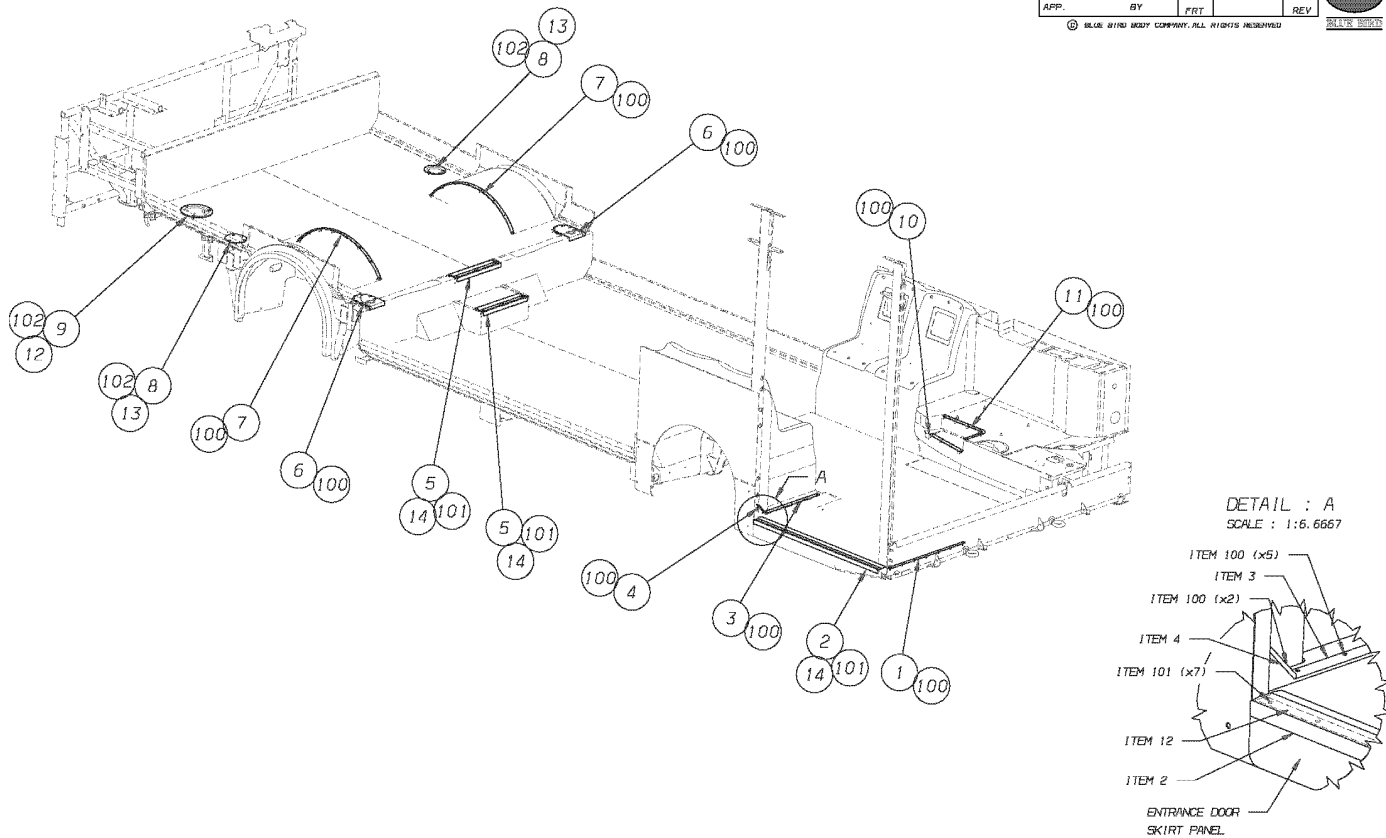
Key	PartNumber	Qty	Description	Comment
10	1465954		NUT,HEX HD,5/16-18,LK,NYLON INSERT,YEL	
10	2001048		WASHER,FLAT,11/32 X 11/16 X 1/16,YEL	

**Models: L3RE  
CENTER  
FLOOR STEPTREADS & ACCESS PLATES  
FRONT DOOR WITH OUT RAMP**

Key	PartNumber	Qty	Description	Comment
-----	------------	-----	-------------	---------

DR. 12/02/03 BY TB	4763446			
APP.	BY	FRT	REV	

© BLUE BIRD BODY COMPANY. ALL RIGHTS RESERVED



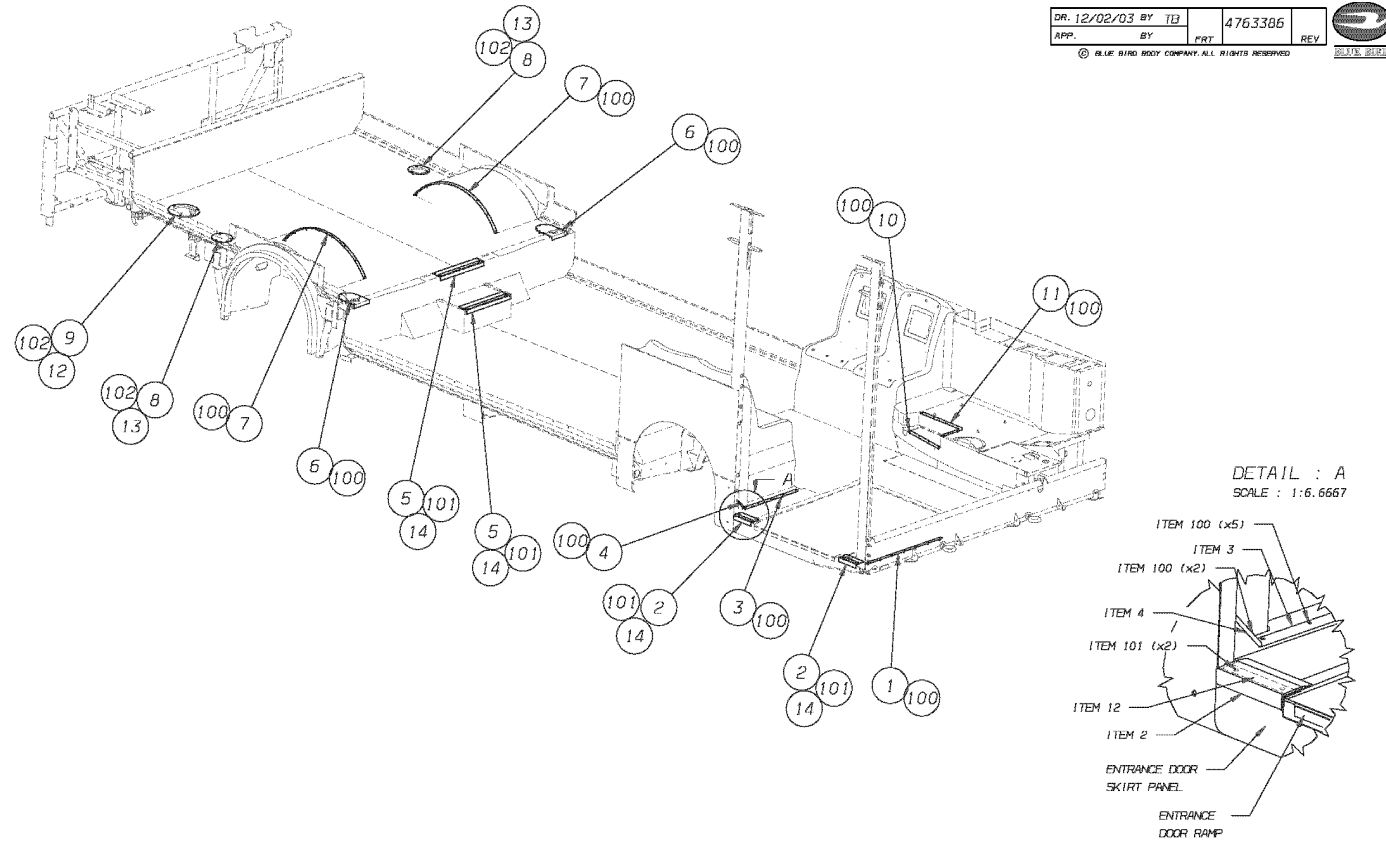
1	4763414	STEPTREAD,FRONT,DOOR,RH,L3RE
2	4763416	STEPTREAD,STEP,FRONT DR,W/O RAMP,L3RE
3	4763413	STEPTREAD,LONG,FRONT DR,LH,L3RE
4	4763412	STEPTREAD,SMALL,FRONT DR,LH,L3RE
5	4763363	STEPTREAD,REAR,SALOON STEP,L3RE
6	4763358	PANEL,ACCESS,REAR FLR RISER,L3RE
7	4763364	STEPTREAD,REAR,WHEELARCH,L3RE
8	4760543	PLATE FLOOR ACCESS DIA 150MM
9	4760544	PLATE FLOOR ACCESS DIA 220MM
10	4763361	STEPTREAD,LOWER,DRIVERS STEP,L3RE
11	4763362	STEPTREAD,UPPER,DRIVERS STEP,L3RE

**Models: L3RE  
 CENTER  
 FLOOR STEPTREADS & ACCESS PLATES  
 FRONT DOOR WITH OUT RAMP**

Key	PartNumber	Qty	Description	Comment
12	4763443		GASKET,FLOOR,ACCESS PLATE,DIA 220,L3RE	
13	4763442		GASKET,FLOOR,ACCESS PLATE,DIA 150,L3RE	
14	4760523		STEP INFILL STEDALL (YELLOW) 18M COIL	
10	1529536		SCREW,6-20 X 3/4,AB,PH1,OVAL CNSK HD,SST	
10	4763368		RIVET,CSNK,.19 X .75,CHERRY BSC O6-12	
10	4763398		SCREW,PH,10-16 X 3/4,AB,PH1 FLT CNSK,SST	

**Models: L3RE  
CENTER  
FLOOR STEPTREADS & ACCESS PLATES  
FRONT DOOR WITH RAMP**

Key	PartNumber	Qty	Description	Comment
-----	------------	-----	-------------	---------



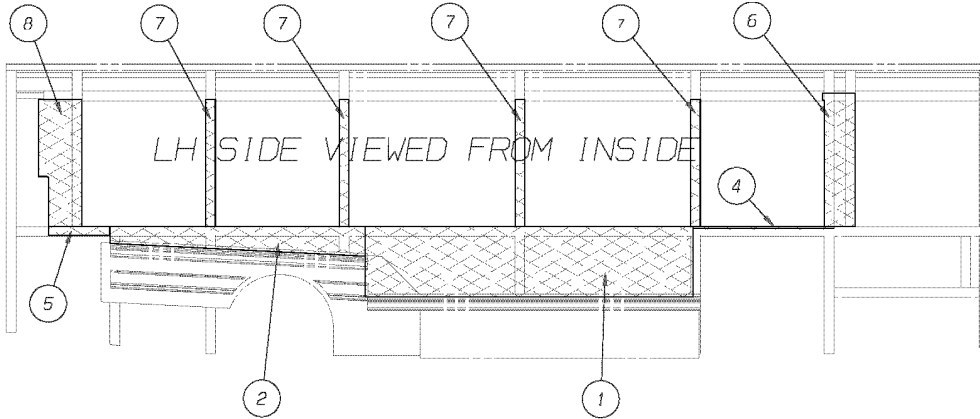
1	4763414		STEPTREAD,FRONT,DOOR,RH,L3RE
2	4763415		STEPTREAD,STEP,FRONT DR,W/ RAMP,L3RE
3	4763413		STEPTREAD,LONG,FRONT DR,LH,L3RE
4	4763412		STEPTREAD,SMALL,FRONT DR,LH,L3RE
5	4763363		STEPTREAD,REAR,SALOON STEP,L3RE
6	4763358		PANEL,ACCESS,REAR FLR RISER,L3RE
7	4763364		STEPTREAD,REAR,WHEELARCH,L3RE
8	4760543		PLATE FLOOR ACCESS DIA 150MM
9	4760544		PLATE FLOOR ACCESS DIA 220MM
10	4763361		STEPTREAD,LOWER,DRIVERS STEP,L3RE
11	4763362		STEPTREAD,UPPER,DRIVERS STEP,L3RE


**Models: L3RE  
 CENTER  
 FLOOR STEPTREADS & ACCESS PLATES  
 FRONT DOOR WITH RAMP**

Key	PartNumber	Qty	Description	Comment
12	4763443		GASKET,FLOOR,ACCESS PLATE,DIA 220,L3RE	
13	4763442		GASKET,FLOOR,ACCESS PLATE,DIA 150,L3RE	
14	4760523		STEP INFILL STEDALL (YELLOW) 18M COIL	
10	1529536		SCREW,6-20 X 3/4,AB,PH1,OVAL CNSK HD,SST	
10	4763368		RIVET,CSNK,.19 X .75,CHERRY BSC O6-12	
10	4763398		SCREW,PH,10-16 X 3/4,AB,PH1 FLT CNSK,SST	

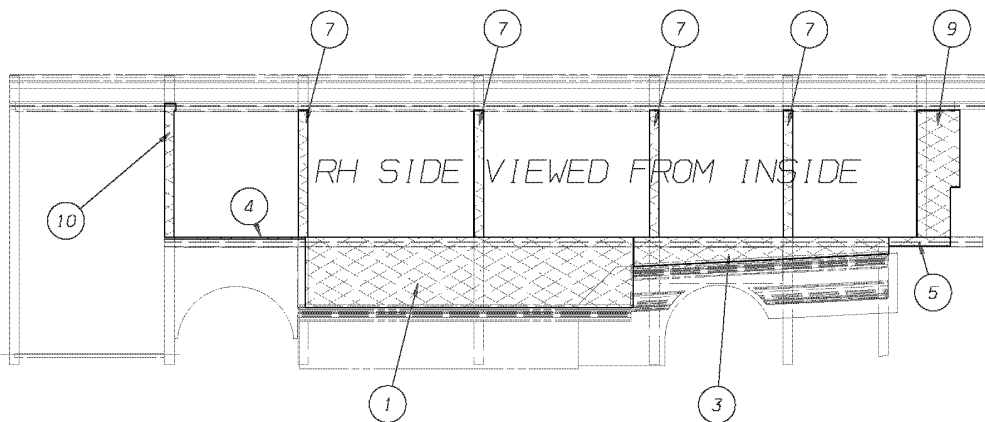
**Models: L3RE  
CENTER  
INSIDE SIDE PANELS & BOW CAPS**

Key	PartNumber	Qty	Description	Comment
-----	------------	-----	-------------	---------



DR. 12/04/03 BY TB	4761215	B	
APP. BY FRT		REV	

© BLUE BIRD BODY COMPANY. ALL RIGHTS RESERVED



	4761215	PANEL KIT,INTERIOR SIDES,FWD DOOR,L3RE	CONSISTS OF THE FOLLOWING
1	4761225	PANEL,INT,SIDES,CTR SALOON	
2	4761226	PANEL,INT,SIDES,REAR SALOON,LH	
3	4761227	PANEL,INT,SIDES,REAR SALOON,RH	
4	4761229	PANEL,INT,SIDES,FRNT WAIST,FINISHER	
5	4761228	PANEL,INT,SIDES,REAR WAIST,FINISHER	
6	4761222	PANEL,INT,PILLAR,CAB	
7	4761221	PANEL,INT,PILLAR,STD	STANDARD
8	4761223	PANEL,INT,PILLAR,REAR LH	
9	4761224	PANEL,INT,PILLAR,REAR RH	

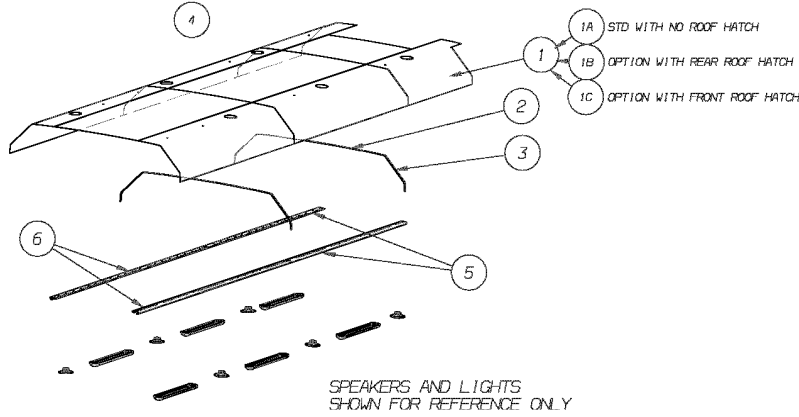


**Models: L3RE  
CENTER  
INSIDE SIDE PANELS & BOW CAPS**

Key	PartNumber	Qty	Description	Comment
10	4763097		PANEL,INT,PILLAR,ENT DOOR,L3RE	

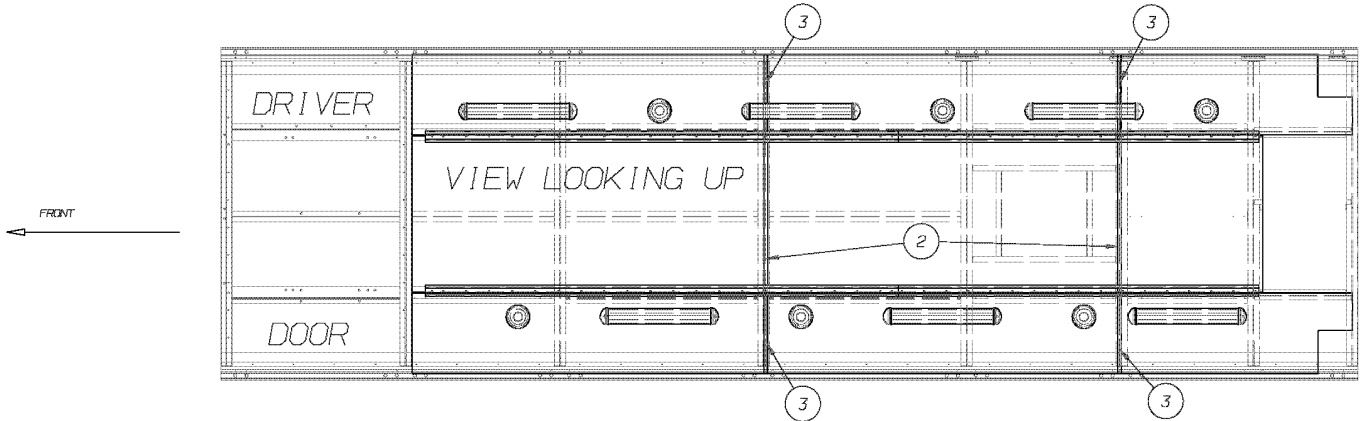
**Models: L3RE  
CENTER  
ROOF PANEL INSTALLATION**

Key	PartNumber	Qty	Description	Comment
-----	------------	-----	-------------	---------



DR. 12/03/03 BY TB	4763357	REV
APP.	BY	PRT

© BLUE BIRD BODY COMPANY. ALL RIGHTS RESERVED




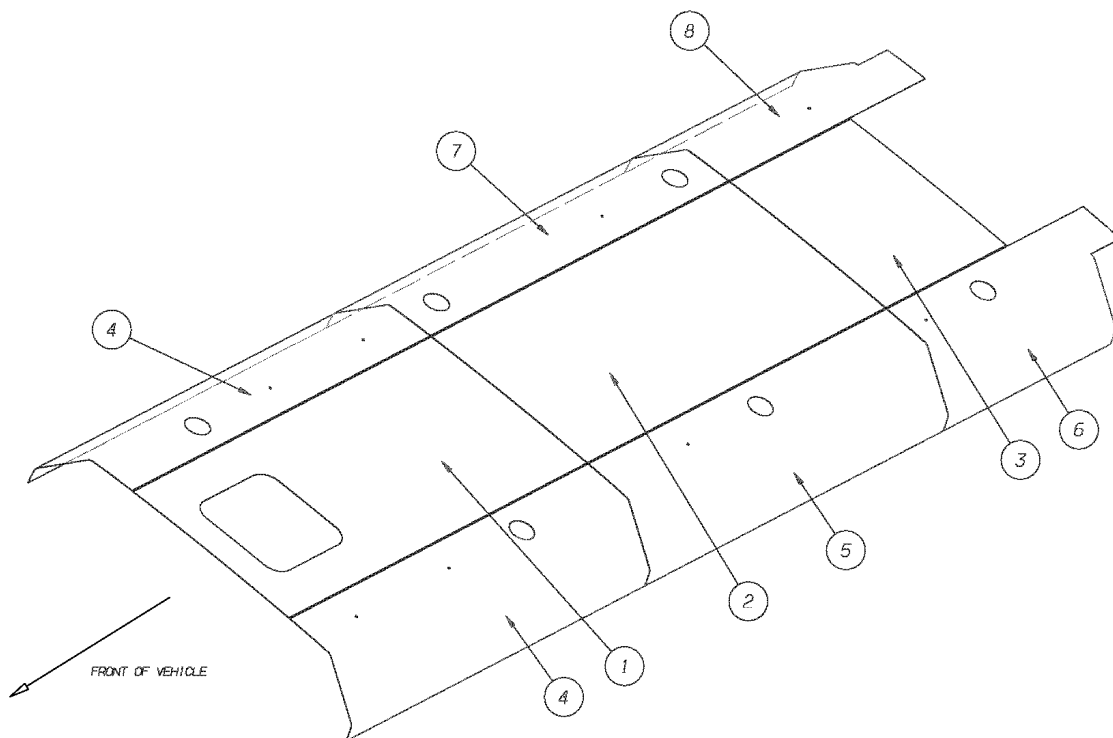
1A	4762751	KIT,PANEL,INTERIOR ROOF,L3RE
1B	4763282	KIT,PANEL,INTERIOR ROOF,FRT DR/W RR VENT
1C	4763283	KIT,PANEL,INTERIOR ROOF,FRT DR W/FRT VENT
2	4763344	TAPE,ADHESIVE,TRIM,GREY,INT ROOF CTR
3	4763343	TAPE,ADHESIVE,TRIM,GREY,INT ROOF COVE
4	0064342	TAPE,ADHESIVE,VHB,4955,.50W X .08THK X
5	4762782	TRACK,HANDRAIL,INT ROOF,100.6INS
6	4762781	TRACK,HANDRAIL,INT ROOF,131.8INS
10	4759600	FASTENER,HUCK,MAGNA-LOK,.25,MGLP-R8-6

**Models:** L3RE  
**CENTER**  
**ROOF PANELS**  
**WITH FRONT ROOF VENT**

Key	PartNumber	Qty	Description	Comment
-----	------------	-----	-------------	---------

DR. 12/03/03 BY TB	4763283		
APP.	BY	FRT	REV

© BLUE BIRD BODY COMPANY, ALL RIGHTS RESERVED


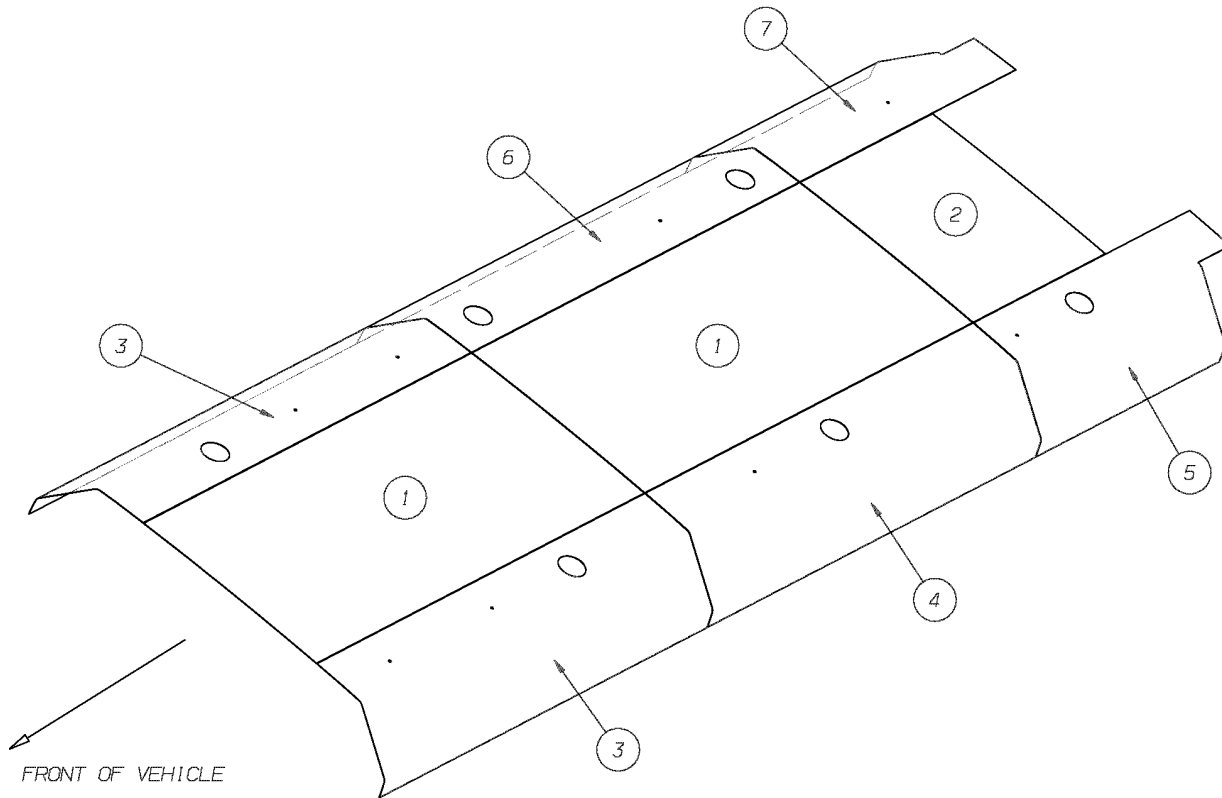
1	4763305	PANEL,ROOF,INTERIOR,FRONT W/VENT,L2503
2	4757922	PANEL,INTR ROOF CENTRE,L 2503
3	4762757	PANEL,ROOF,INT CTR,L1650
4	4762755	PANEL,ROOF,INT COVE,OFFSET SPKR,L2503
5	4762756	PANEL,ROOF,INT COVE,CTR SPKR,L2503
6	4762753	PANEL,ROOF,INT COVE,1 SPKR,L1650
7	4762754	PANEL,ROOF,INT COVE,2 SPKR,L2503
8	4762752	PANEL,ROOF,INT COVE,L1650

**Models: L3RE  
CENTER  
ROOF PANELS  
WITH OUT ROOF VENTS**

Key	PartNumber	Qty	Description	Comment
-----	------------	-----	-------------	---------

DR. 12/03/03 BY TB	4762751	
APP.	BY	REV
	FRT	

© BLUE BIRD BODY COMPANY. ALL RIGHTS RESERVED


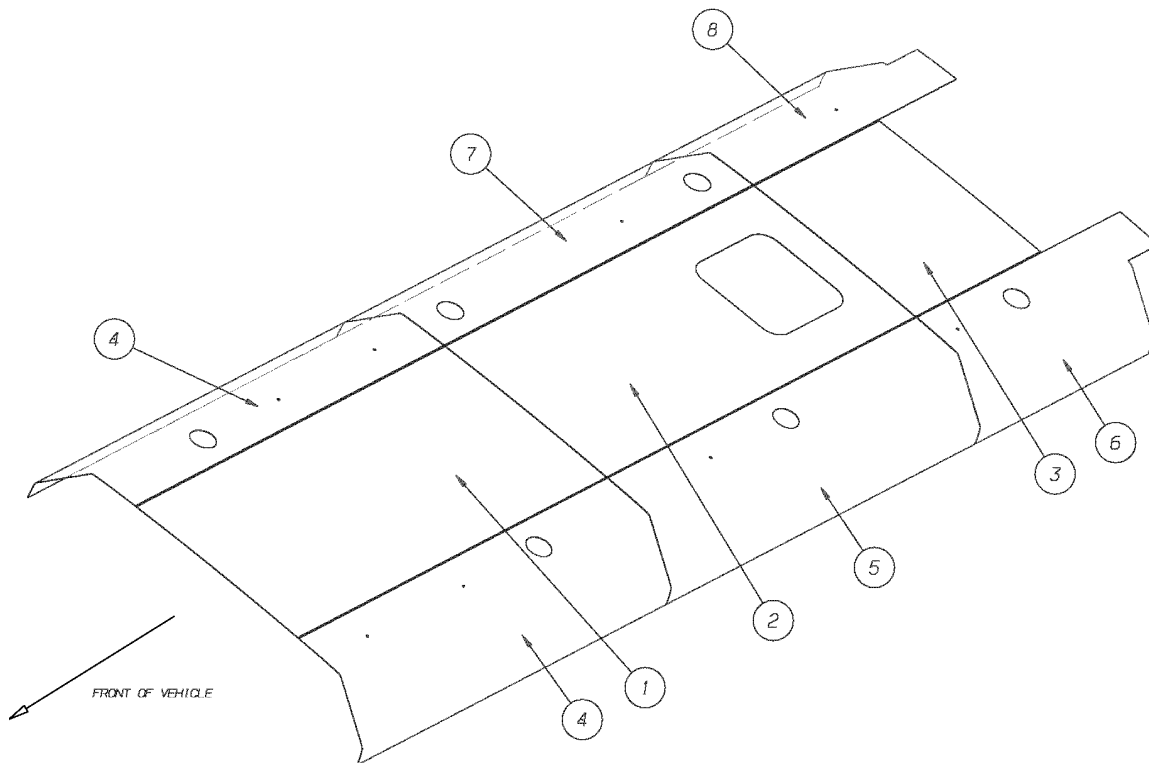
1	4757922	PANEL,INTR ROOF CENTRE,L 2503
2	4762757	PANEL,ROOF,INT CTR,L1650
3	4762755	PANEL,ROOF,INT COVE,OFFSET SPKR,L2503
4	4762756	PANEL,ROOF,INT COVE,CTR SPKR,L2503
5	4762753	PANEL,ROOF,INT COVE,1 SPKR,L1650
6	4762754	PANEL,ROOF,INT COVE,2 SPKR,L2503
7	4762752	PANEL,ROOF,INT COVE,L1650

**Models: L3RE  
CENTER  
ROOF PANELS  
WITH REAR ROOF VENT**

Key	PartNumber	Qty	Description	Comment
-----	------------	-----	-------------	---------

DR. 12/03/03 BY TB	4763202		
APP.	BY	FRY	REV

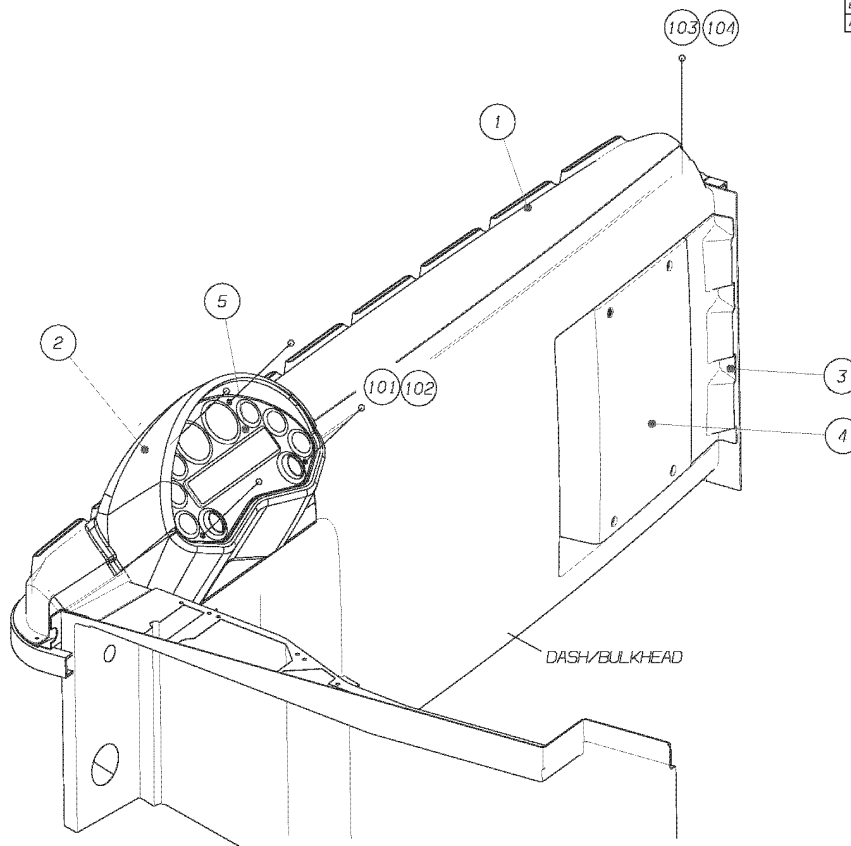
© BLUE BIRD BODY COMPANY. ALL RIGHTS RESERVED

1	4757922	PANEL,INTR ROOF CENTRE,L 2503
2	4763304	PANEL,ROOF,INTERIOR,CENTRE W/VENT,L2503
3	4762757	PANEL,ROOF,INT CTR,L1650
4	4762755	PANEL,ROOF,INT COVE,OFFSET SPKR,L2503
5	4762756	PANEL,ROOF,INT COVE,CTR SPKR,L2503
6	4762753	PANEL,ROOF,INT COVE,1 SPKR,L1650
7	4762754	PANEL,ROOF,INT COVE,2 SPKR,L2503
8	4762752	PANEL,ROOF,INT COVE,L1650

Models: **L3RE  
FRONT  
DASH**

Key	PartNumber	Qty	Description	Comment
-----	------------	-----	-------------	---------



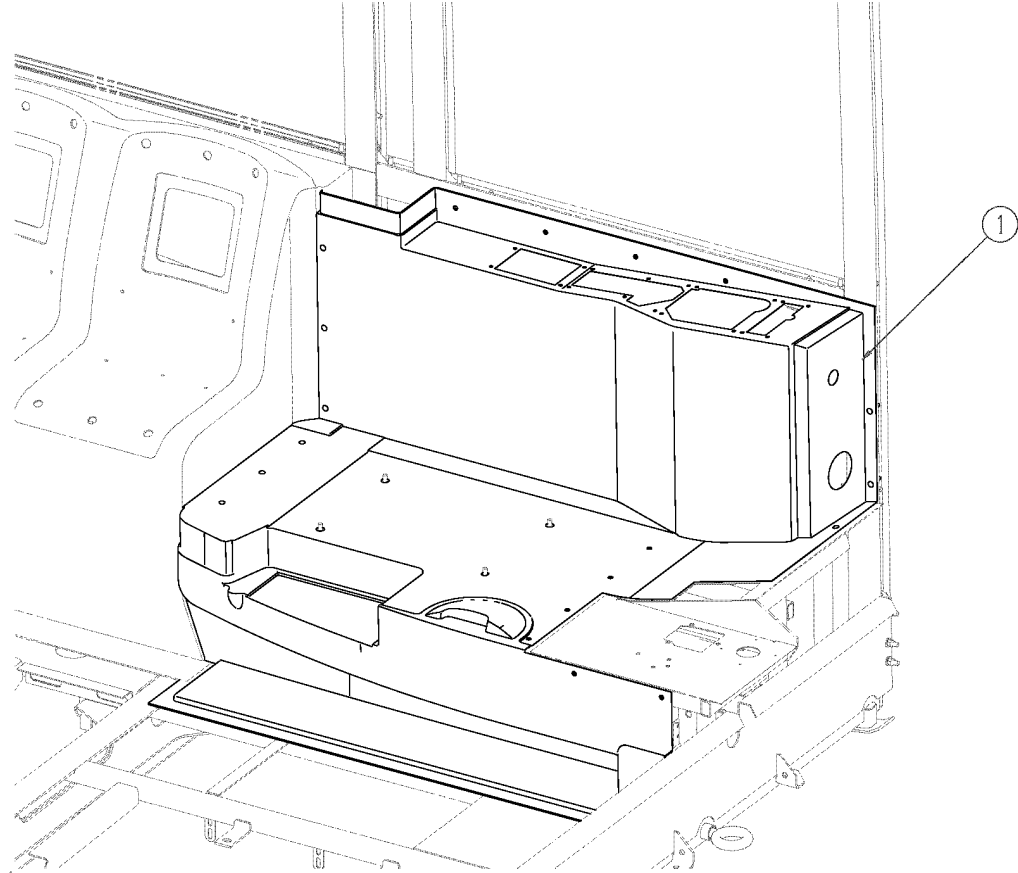
DR. 02/16/04	BY TB	4763221	
APP.	BY	FRY	REV


© BLUE BIRD BODY COMPANY. ALL RIGHTS RESERVED.

1	4760610	PANEL,VENT,DASH,PLENUM
2	4760614	DASH,HOUSING,INSTRUMENT
3	4760611	PANEL,VENT,DASH,FRONT
4	4763273	PANEL,ASSY,COVER,DASH,FRONT
5	4763227	PANEL,ASSY,INSTRUMENT,L3RE
10	4763138	SCREW,PH,10-16 X 1/2,AB,FLG HD,BLK ZN
10	4763023	FASTENER,NYLON,NUT,CAPTIVE,NO.8
10	4761354	SCREW,10X1 IN,FLG HD,PH SELF TAPPING,ZK
10	4762097	SEALANT,ADHESIVE,GRAY

Models: **L3RE  
FRONT  
DRIVER'S AREA  
CONSOLE**

Key	PartNumber	Qty	Description	Comment
-----	------------	-----	-------------	---------



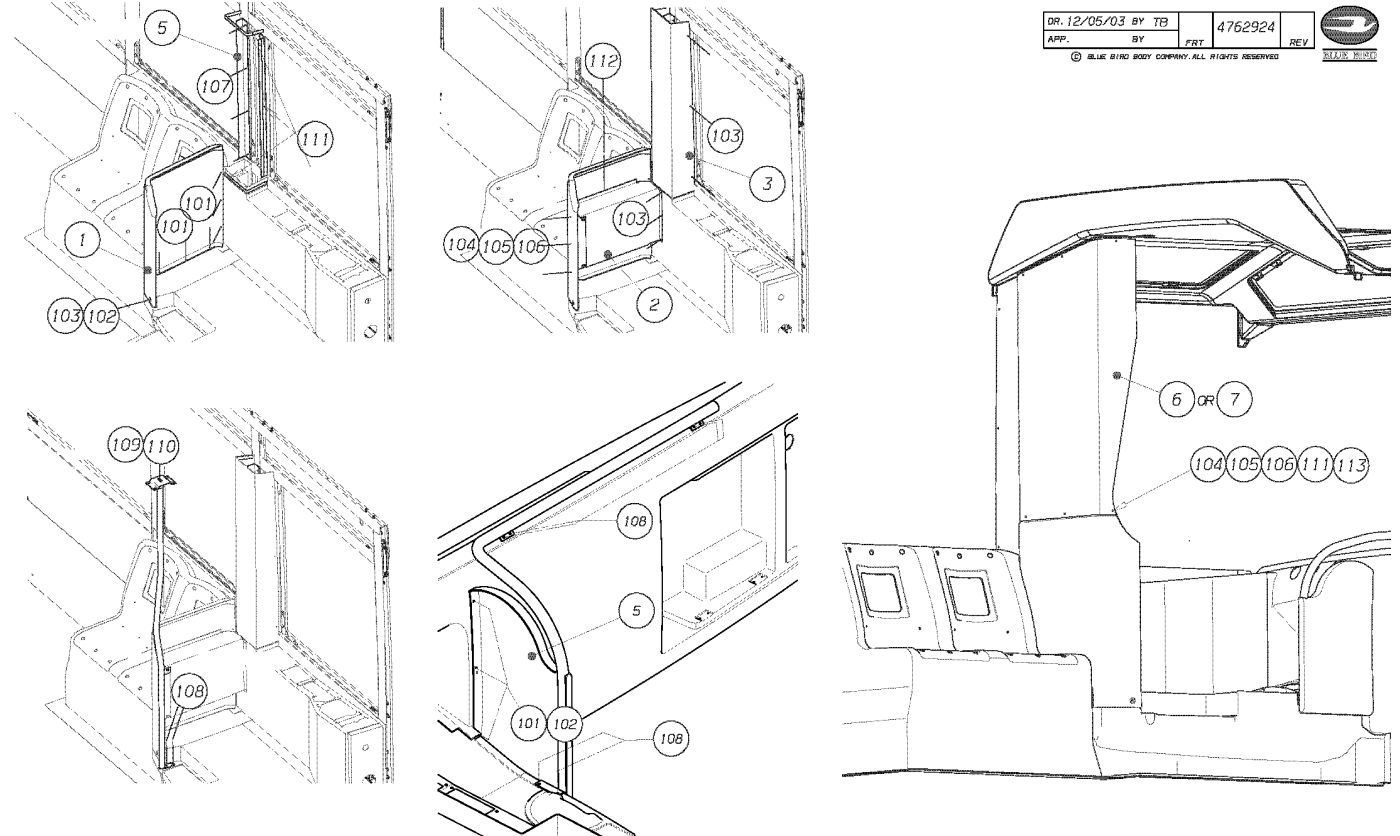
DR. 12/04/03 BY TB	4763410	
APP. BY TRT	REV	

© BLUE BIRD BODY COMPANY. ALL RIGHTS RESERVED

1	4760613	PANEL,CONSOLE,DRIVERS FLOOR
---	---------	-----------------------------

**Models: L3RE  
FRONT  
DRIVER'S AREA  
PARTITION**

Key	PartNumber	Qty	Description	Comment
-----	------------	-----	-------------	---------



1	4760619		PANEL,PARTITION,BASE	
2	4762818		PANEL,ASSY,SUPPORT,PART	
3	4757854		PANEL,COVER,LOOM,PARTITION	
4	4760623		PANEL,DOOR,DASH INFILL	
5	4757919		ANGLE,MTG,LOOM COVER	
6	4760620		PANEL,PARTITION,UPPER,CLEAR"	
7	4760621		PANEL,PARTITION,UPPER,SOLID	
10	4761354		SCREW,10X1 IN,FLG HD,PH SELF TAPPING,ZK	
10	4763023		FASTENER,NYLON,NUT,CAPTIVE,NO.8	
10	4763138		SCREW,PH,10-16 X 1/2,AB,FLG HD,BLK ZN	
10	4763140		SCREW,PH,1/4-20 X 3/4,RND HD,BLK ZN DICH	




**Models: L3RE  
FRONT  
DRIVER'S AREA  
PARTITION**

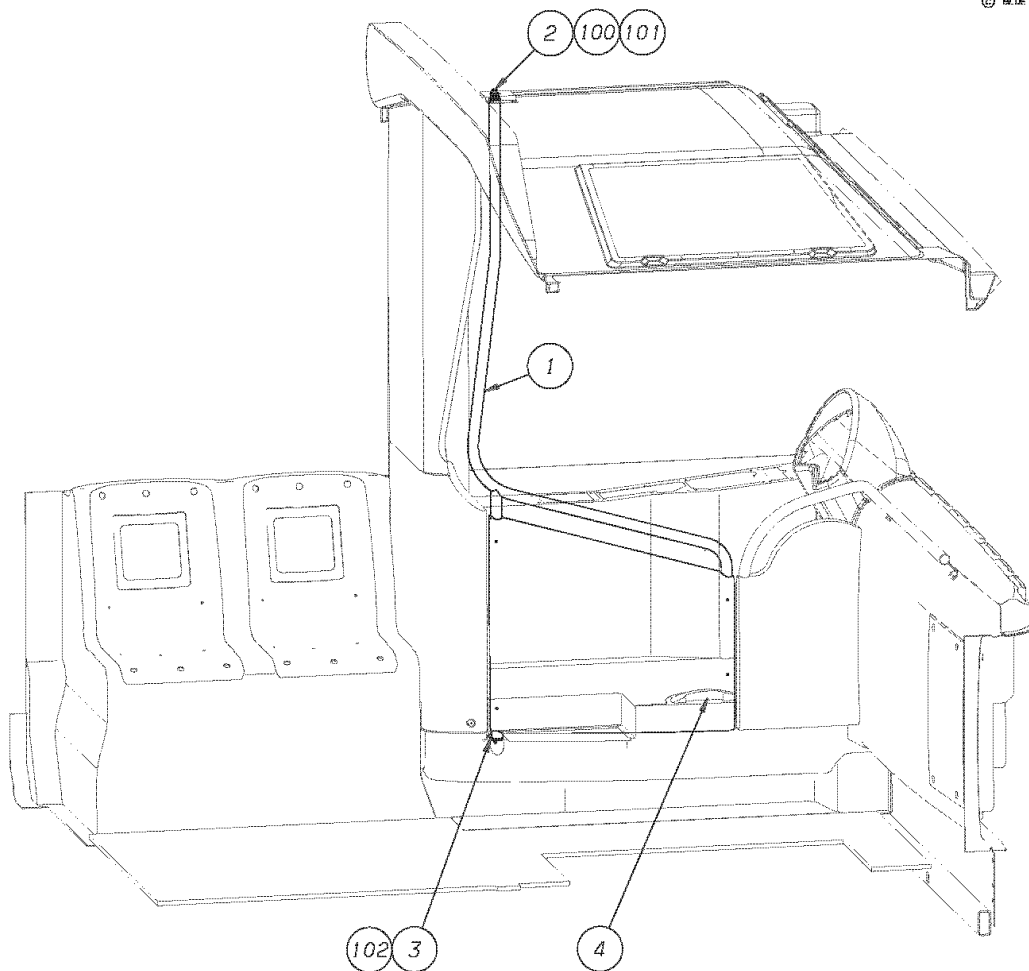
Key	PartNumber	Qty	Description	Comment
10	1465947		NUT,HEX HD,1/4-20,LK,NYLON INSERT,YEL	
10	1247709		WASHER,FLAT,17/64 ID X,5/8,YEL ZN DICH	
10	4760034		RIVET POP CLOSED ALUMINUM .18 X .875	
10	0020713		SCREW,1/4-20 X 3/4,F,PH1,PAN HD,YEL ZN	
10	0870477		CAPSCREW,HEX HD,1/4-20 X 1,GR 8,YEL ZN	
11	1260017		WASHER,FLAT,9/32 X 1 1/4 X 5/64,YEL ZN	
11	4761648		FABRIC,ADHESIVE,TAPE,ANTI-SQUEAK	
11	4762097		SEALANT,ADHESIVE,GRAY	
11	4763141		WASHER,FLAT,17/64 X 11/16,NYLON	

**Models:** L3RE  
FRONT  
DRIVER'S AREA  
SURROUND, DOOR

Key	PartNumber	Qty	Description	Comment
-----	------------	-----	-------------	---------

DR. 12/05/03	BY TB	4762925		
APP.	BY	FRT	REV	

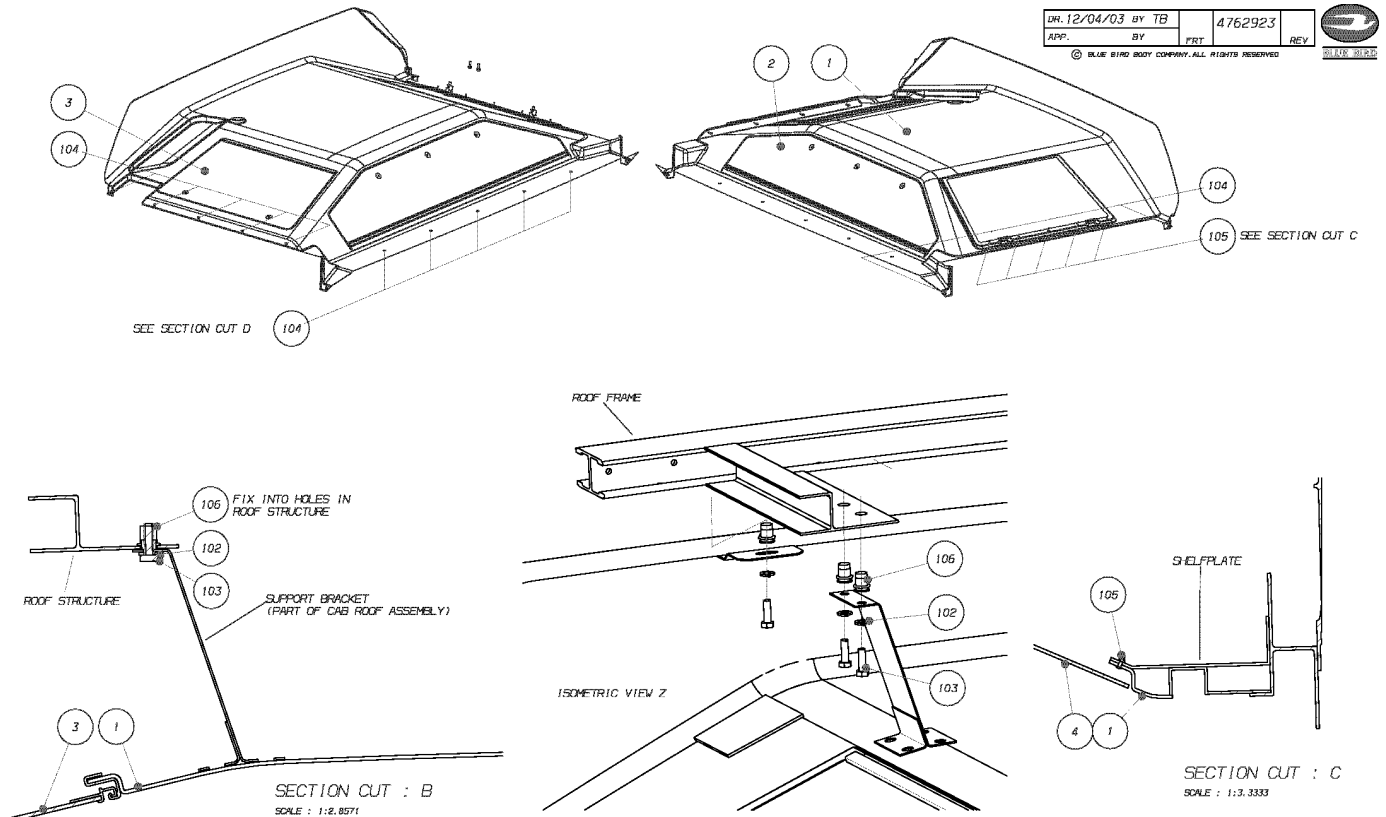
© BLUE BIRD BODY COMPANY. ALL RIGHTS RESERVED



1	4757903		DOOR ASSY,DRIVERS,L3RE
2	4761425		PIVOT,CAB DOOR,UPPER
3	4763048		BRACKET,PIVOT,ASSY,CAB DR,LOWER
4	4759740		PIN STRIKER CAB DOOR
10	0826297		NUT,HEX HD,3/8-16 LOCK,YEL ZN DICH
10	1078922		WASHER,FLAT,3/8 X 7/8 X 5/64,YEL ZN DICH
10	0020713		SCREW,1/4-20 X 3/4,F,PH1,PAN HD,YEL ZN

**Models: L3RE  
FRONT  
ROOF, CAB**


Key	PartNumber	Qty	Description	Comment
-----	------------	-----	-------------	---------



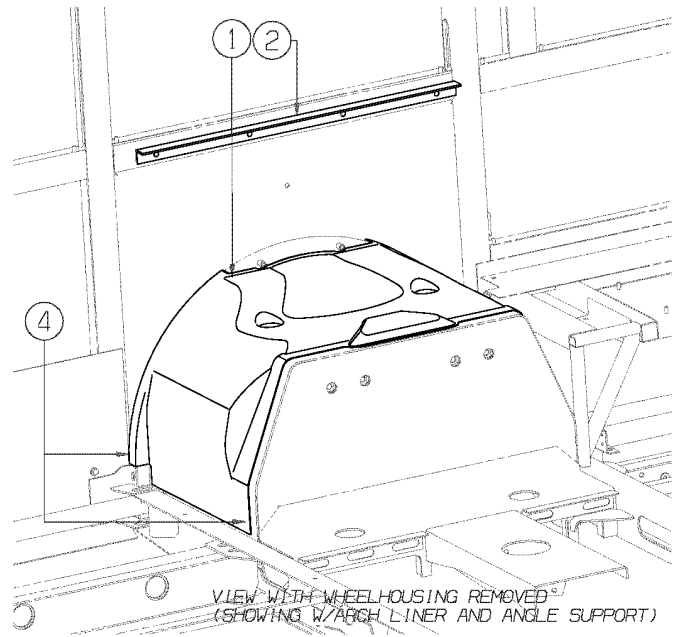
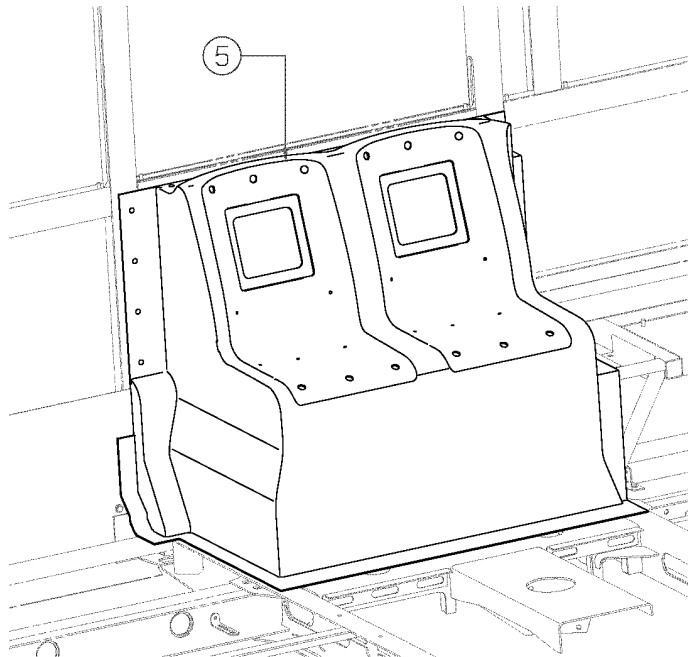
1	4757800	PANEL,ASSY,CAB ROOF
2	4761442	DOOR ASSY,CAB ROOF,FRONT
3	4761443	DOOR ASSY,CAB ROOF,LH
4	4761444	DOOR ASSY,CAB ROOF,RH
10	2001188	LOCKWASHER,SPLIT RING, 5/16,MED,YEL ZN
10	0610725	CAPSCREW,HEX HD,5/16-18X1 1/4,GR8,
10	4761354	SCREW,10X1 IN,FLG HD,PH SELF TAPPING,ZK
10	4761599	RIVET,ALUM,1/8X.565,BLIND,DOM
10	4761496	THREAD INS,.31 UNC,AVDEL DLS-518-150

Models: **L3RE  
FRONT  
WHEELHOUSING SEAT, FRONT, LH**

Key	PartNumber	Qty	Description	Comment
-----	------------	-----	-------------	---------

DR. 12/04/03 BY TB	4763409	
APP. BY FRT	REV	


© BLUE BIRD BODY COMPANY. ALL RIGHTS RESERVED



1	4761703	LINER,WHEELHOUSING,MUDGUARD
2	4763408	ALUMINUM,ANGLE,FRONT WHEELARCH MTG.
4	4761599	RIVET,ALUM,1/8X.565,BLIND,DOM
5	4760617	PANEL,WHEELHOUSING,FRONT LH

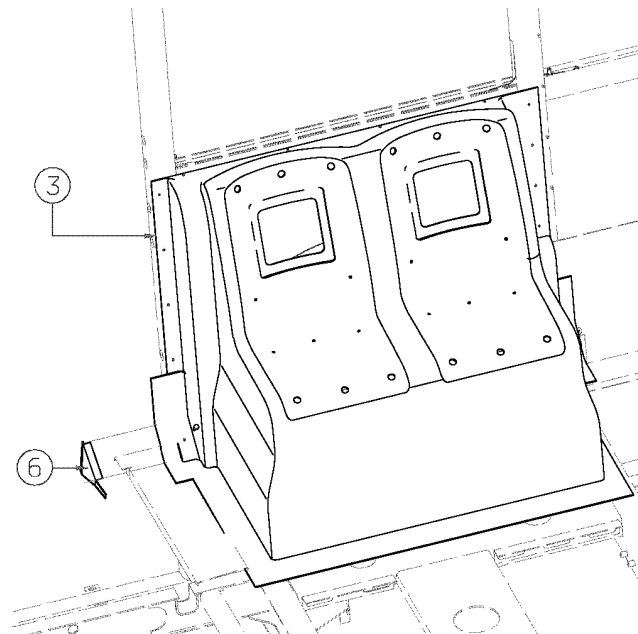
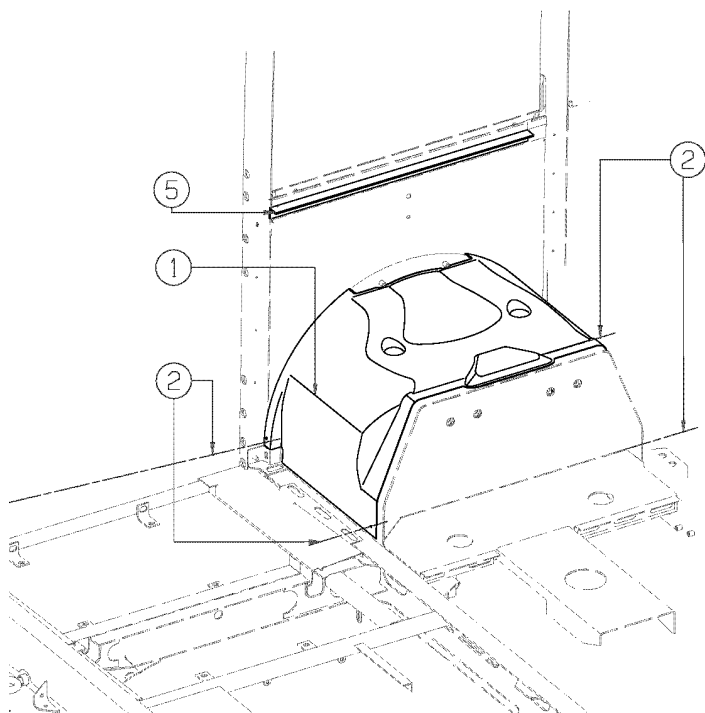
**Models: L3RE  
FRONT  
WHEELHOUSING SEAT, FRONT, RH**

Key	PartNumber	Qty	Description	Comment
-----	------------	-----	-------------	---------

ENR. 12/04/03 BY TB	4763400	REV.	
APP.	FRT	REV.	

© BLUE BIRD BODY COMPANY. ALL RIGHTS RESERVED

VIEW WITH WHEELHOUSING REMOVED.  
(SHOWING RH W/ARCH LINER AND ANGLE SUPPORT)



VIEW SHOWING RH WHEELARCH INSTALLED


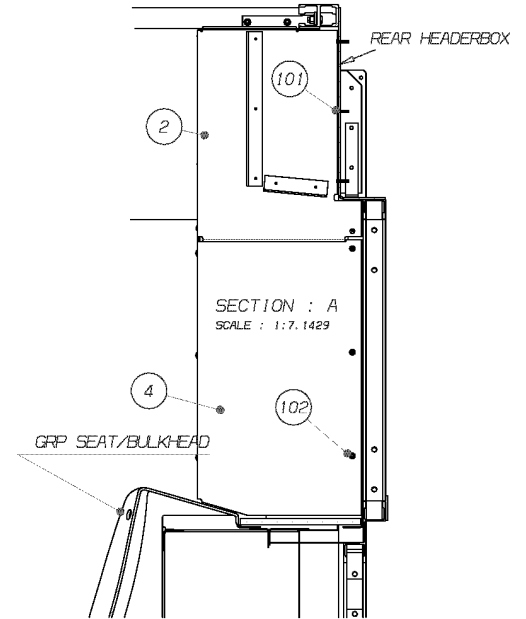
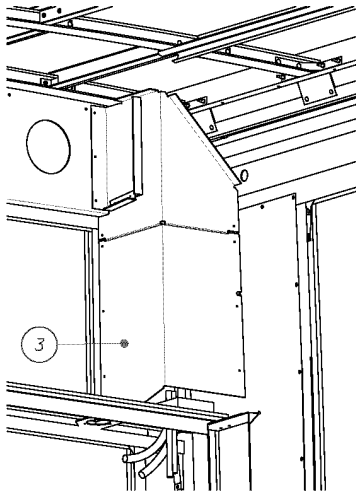
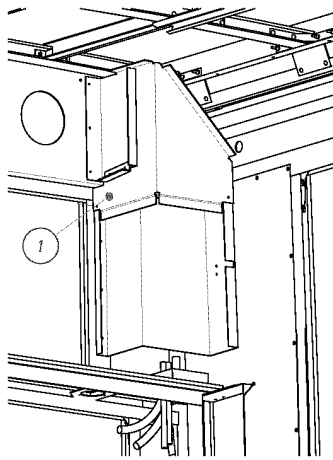
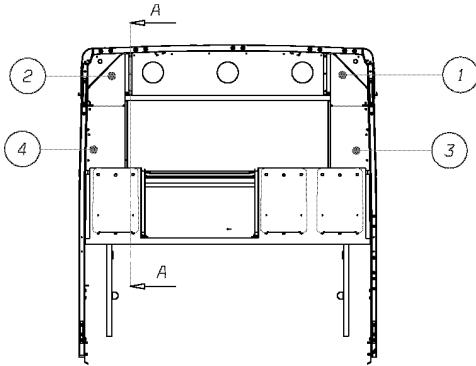
1	4761703	LINER,WHEELHOUSING,MUDGUARD
2	4761599	RIVET,ALUM,1/8X.565,BLIND,DOM
3	4760618	PANEL,WHEELHOUSING,FRONT RH
5	4763408	ALUMINUM,ANGLE,FRONT WHEELARCH MTG.
6	4762221	PANEL,FINISH,ENT FLR,BODYSIDE,L3RE

Models: L3RE  
REAR

Key	PartNumber	Qty	Description	Comment
-----	------------	-----	-------------	---------

DR. 12/03/03	BY: TB	4763372	REV
APP.	BY	FRT	REV

© BLUE BIRD BODY COMPANY. ALL RIGHTS RESERVED

1	4762084	PANEL,ASSY,CORNER,INT REAR,LH
2	4762085	PANEL,ASSY,CORNER,INT REAR,RH
3	4763355	PANEL,ASSY,CORNER COVER,INT RR LH
4	4763356	PANEL,ASSY,CORNER COVER,INT RR RH
10	4760034	RIVET POP CLOSED ALUMINUM .18 X .875
10	4763138	SCREW,PH,10-16 X 1/2,AB,FLG HD,BLK ZN