

Body

350 Doors

ENTRANCE

DEANS

BOTTOM DROUGHTPROOFING

_____ 1
DOOR FRAME ASSY.

_____ 2
PARTS IDENTIFICATION BY LOCATION

_____ 3
PILLAR TUBE ASSY

_____ 4

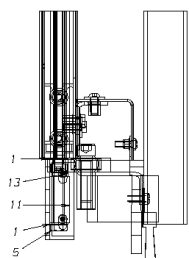
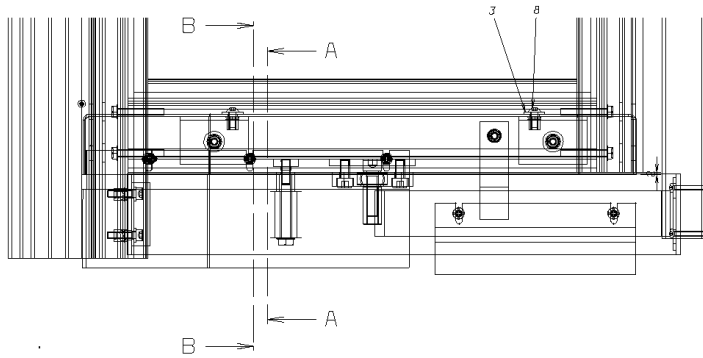
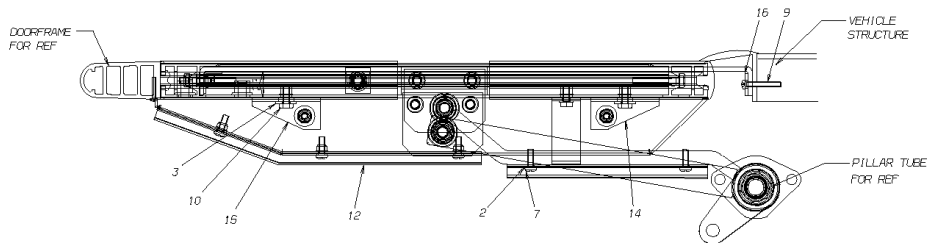
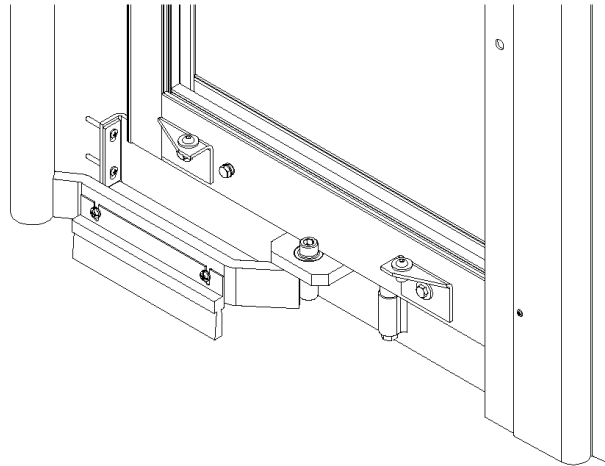
_____ 5
PIPING DIAGRAM

_____ 6
SHELFPLATE ASSY. (VALVES, DOOR CONTROL)

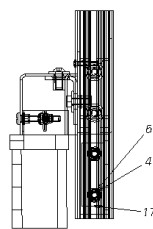
_____ 7

Models: **L3RE
ENTRANCE
DEANS
BOTTOM DROUGHTPROOFING**

Key	PartNumber	Qty	Description	Comment
-----	------------	-----	-------------	---------



SECTION B-B



SECTION A-A

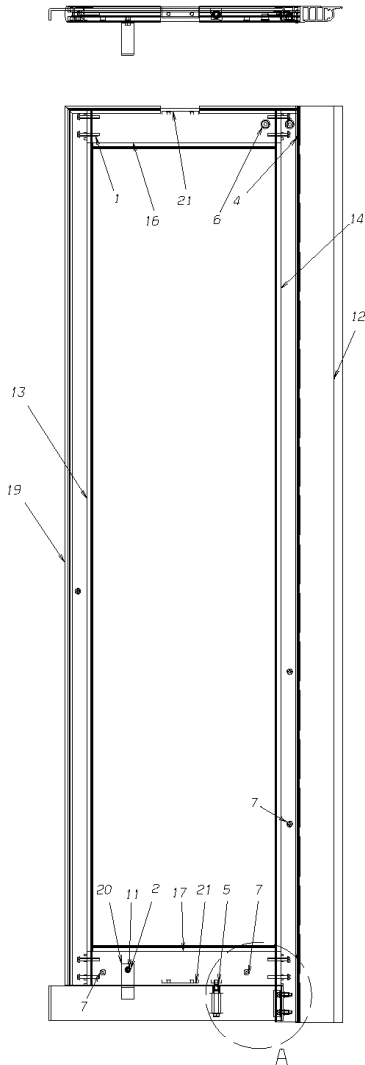
**Models: L3RE
ENTRANCE
DEANS
BOTTOM DROUGHTPROOFING**

Key	PartNumber	Qty	Description	Comment
5	0071518		BOLT,HEX HD,M8 X 70,DEAN'S	
11			BAND, SEALING, BOTTOM, DEANS	
11	0071517		SEAL,BAND,BOTTOM,DEAN'S	<i>WHEN VIEWED FROM OUTSIDE OF BUS</i>
11			RH (WHEN VIEWED FROM OUTSIDE OF BUS)	
11			LH (WHEN VIEWED FROM OUTSIDE OF BUS)	
11			RH (WHEN VIEWED FROM OUTSIDE OF BUS)	
13	0071519		SLEEVE,BOLT,BOTTOM SEALING BAND,DEAN'S	

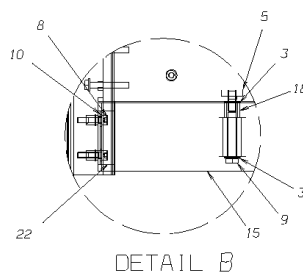
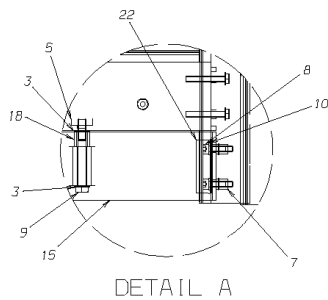
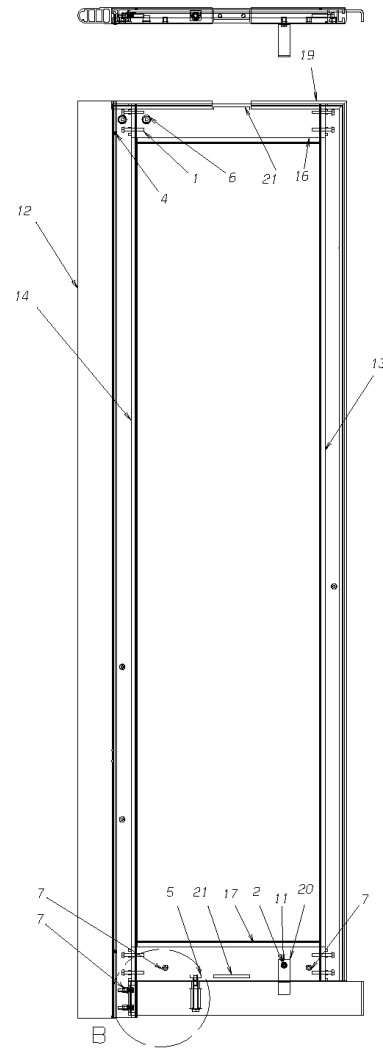
Models: **L3RE
ENTRANCE
DEANS
DOOR FRAME ASSY.**

Key	PartNumber	Qty	Description	Comment
-----	------------	-----	-------------	---------

DOORFRAME VIEWED FROM INTERIOR



DOORFRAME VIEWED FROM INTERIOR

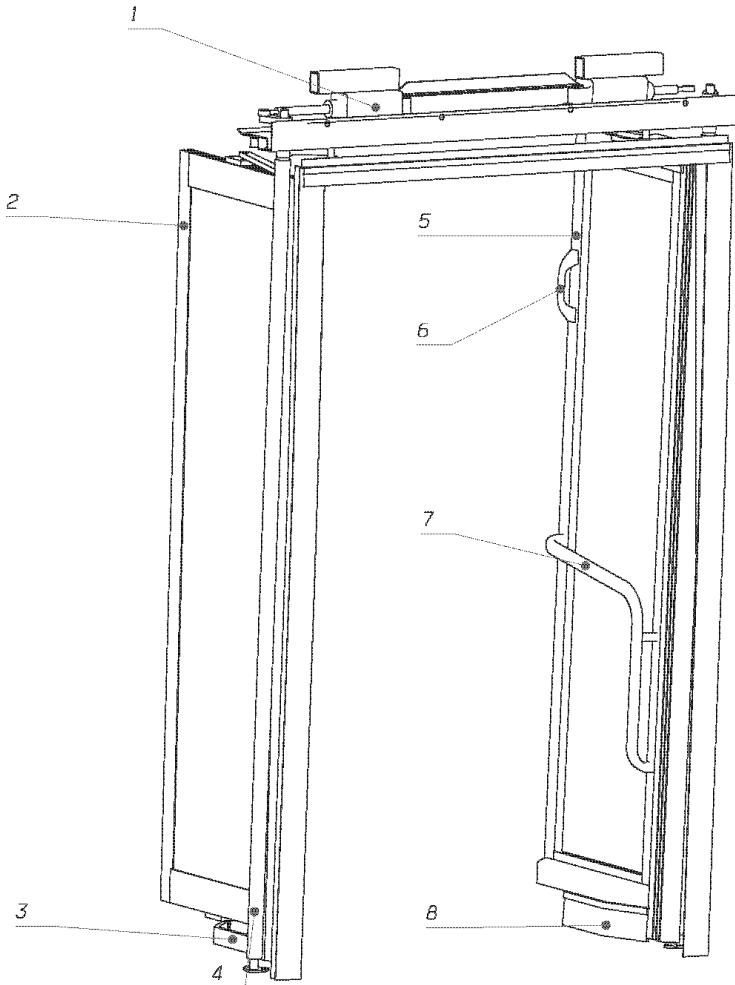


**Models: L3RE
ENTRANCE
DEANS
DOOR FRAME ASSY.**

Key	PartNumber	Qty	Description	Comment
9	0071518		BOLT,HEX HD,M8 X 70,DEAN'S	<i>DOOR A</i>
12	0071515		SEAL,DOOR,LEADING EDGE,FRONT,1881,	<i>DOOR A</i>
15	0071517		SEAL,BAND,BOTTOM,DEAN'S	<i>DOOR A</i>
18	0071519		SLEEVE,BOLT,BOTTOM SEALING BAND,DEAN'S	<i>DOOR A</i>
9	0071518		BOLT,HEX HD,M8 X 70,DEAN'S	<i>DOOR B</i>
12	0071516		SEAL,DOOR,LEADING EDGE,REAR,1874,DEAN'S"	<i>DOOR B</i>
18	0071519		SLEEVE,BOLT,BOTTOM SEALING BAND,DEAN'S	<i>DOOR B</i>


**Models: L3RE
ENTRANCE
DEANS
PARTS IDENTIFICATION BY LOCATION**

Key	PartNumber	Qty	Description	Comment
-----	------------	-----	-------------	---------



DR. 12/17/03	BY TB	4763521	
APP.	BY	FRT	REV

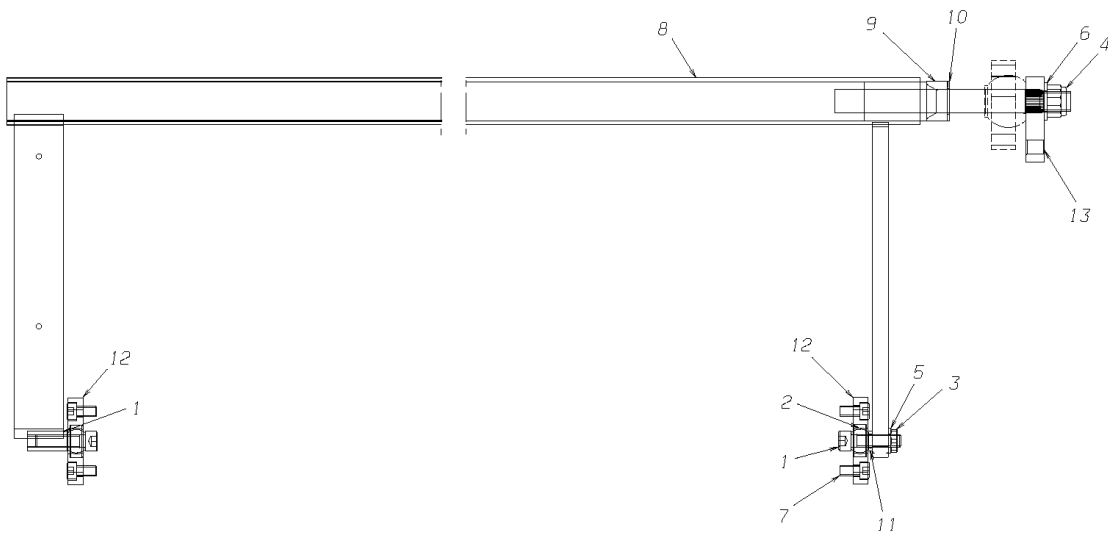
© BLUE BIRD BODY COMPANY, ALL RIGHTS RESERVED



1	SHELFPLATE ASSY.	DOOR CONTROL VALVES
2	DOOR FRAME ASSY, LH	
3	BOTTOM DRAUGHTPROOFING, LH	
4	PILLAR TUBE ASSY.	
5	DOOR FRAME ASSY, RH	
6	EMERGENCY HANDLE	
7	HANDRAIL ASSY.	
8	BOTTOM DRAUGHTPROOFING, RH	

Models: L3RE
 ENTRANCE
 DEANS
 PILLAR TUBE ASSY

Key	PartNumber	Qty	Description	Comment
-----	------------	-----	-------------	---------

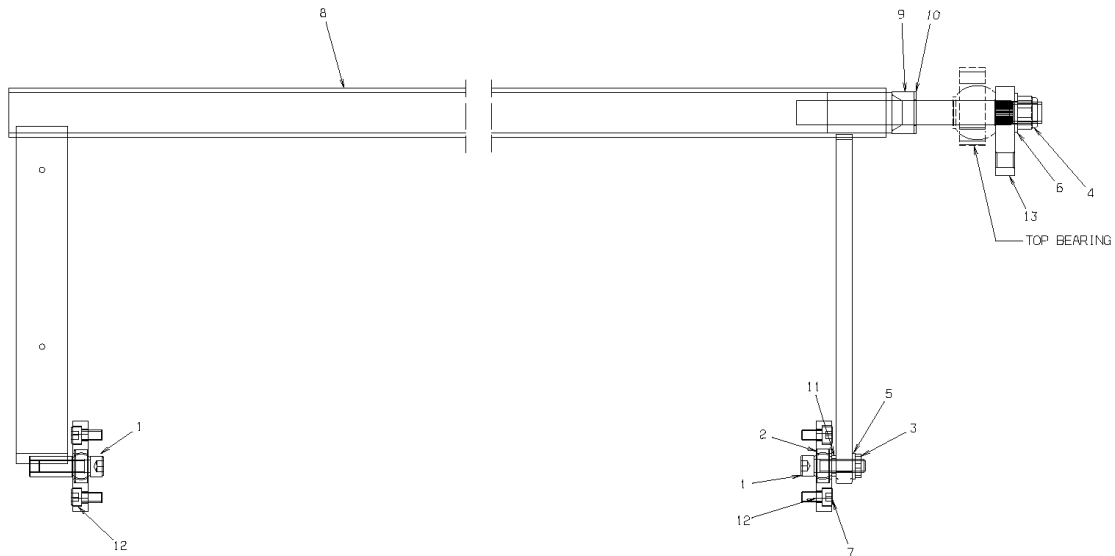


Models: L3RE
ENTRANCE
DEANS
PILLAR TUBE ASSY

Key	PartNumber	Qty	Description	Comment
6	0071506		WASHER,FLAT,M16,DEAN'S	

Models: L3RE
ENTRANCE
DEANS
PILLAR TUBE ASSY

Key	PartNumber	Qty	Description	Comment
-----	------------	-----	-------------	---------

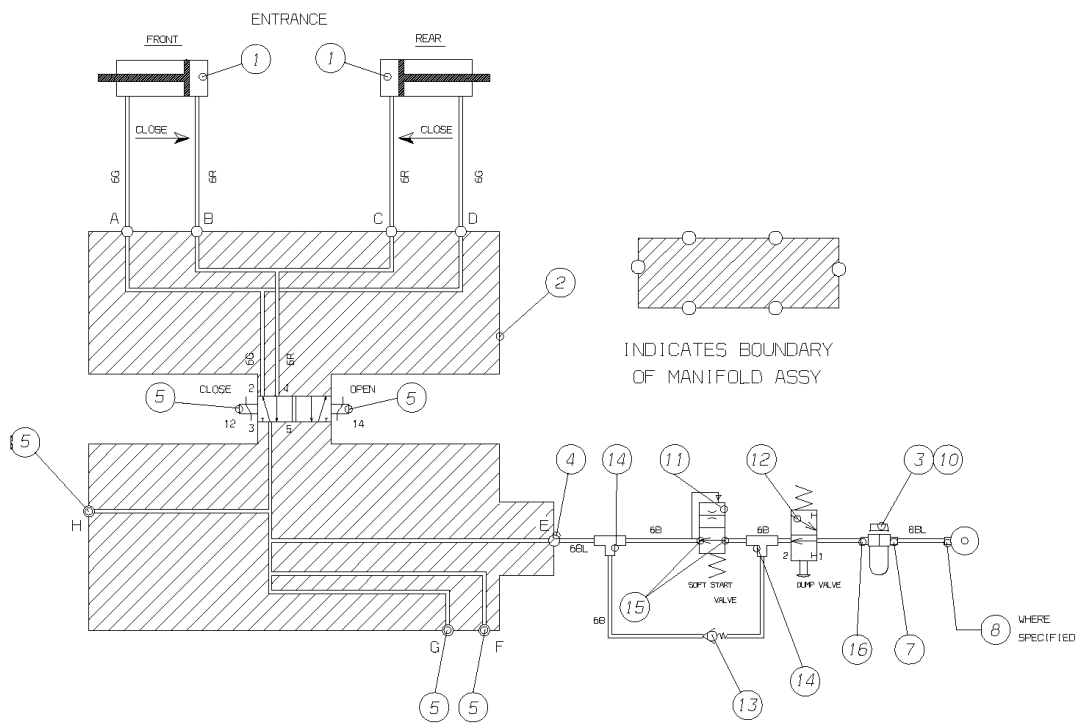


Models: L3RE
ENTRANCE
DEANS
PILLAR TUBE ASSY

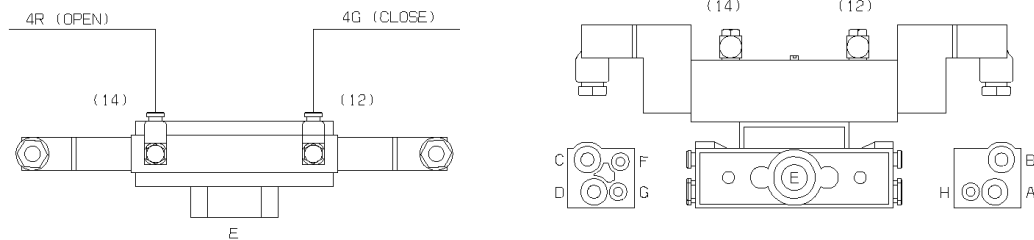
Key	PartNumber	Qty	Description	Comment
6	0071506		WASHER,FLAT,M16,DEAN'S	

Models: **L3RE
ENTRANCE
DEANS
PIPING DIAGRAM**

Key	PartNumber	Qty	Description	Comment
-----	------------	-----	-------------	---------



VALVE PORT DESIGNATIONS

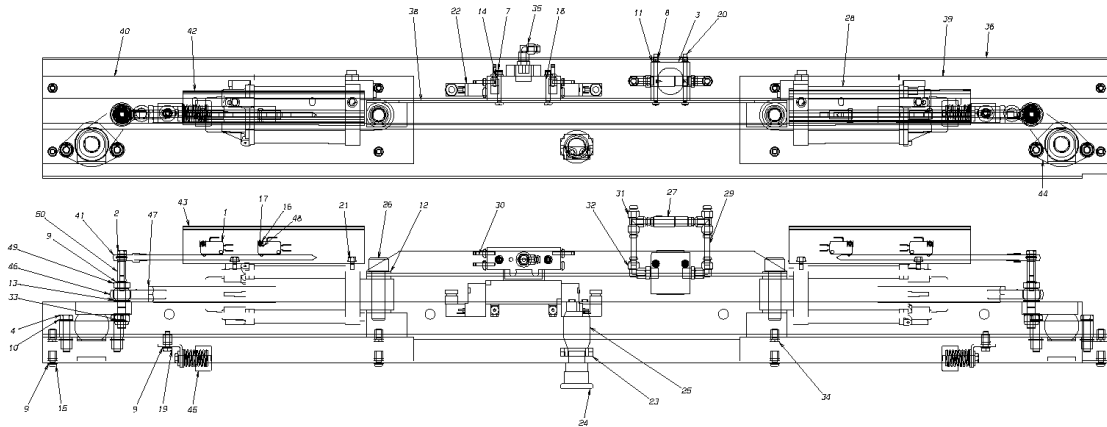


Models: L3RE
ENTRANCE
DEANS
PIPING DIAGRAM

Key	PartNumber	Qty	Description	Comment
11	0069301		VALVE,DOOR,SOFT START,DEANS	
12	0069305		VALVE,SWITCH,RED KNOB,DOOR,DEANS	

Models: **L3RE
ENTRANCE
DEANS
SHELFPLATE ASSY. (VALVES, DOOR CONTROL)**

Key	PartNumber	Qty	Description	Comment
-----	------------	-----	-------------	---------



**Models: L3RE
ENTRANCE
DEANS
SHELFPLATE ASSY. (VALVES, DOOR CONTROL)**

Key	PartNumber	Qty	Description	Comment
1	0069388		SWITCH,MICRO,SHELFPLATE ASSY,DOOR,	
2	0071511		BOLT,HEX HD,M6 X 45,DEAN'S	
3	0069301		VALVE,DOOR,SOFT START,DEANS	
12	0071506		WASHER,FLAT,M16,DEAN'S	
16	0071514		CAPSCREW,PAN HD,M3 X 16,SLOTTED,DEAN'S	
17	0071512		WASHER,SER,M3,DEAN'S	
22	0071503		MANIFOLD,VALVE,EP,DEAN'S"	
30	0071502		NUT,LOCK,NYLON,7/16 UNF,UNIBALL,DEAN'S	
38	0069387		ROD,ACTUATOR,MICRO SWITCH,DOOR,DEANS	
39	0069386		RAIL,SWITCH,MICRO,DOOR,DEANS	
41	0069344		BEARING,DOOR,TOP,DEANS	
43	0071500		JOINT,BALL JOINT,UNIBALL,7/16 UNF,RH,	
44	0071501		NUT,LOCK,7/16 UNF,RH,UNIBALL,DEAN'S	
45	0071513		NUT,SQUARE,M3,7MM,DEAN'S	
46	0071510		PIN,PIVOT,BALL JOINT,DEAN'S	
47	0071509		SPACER,BALL JOINT,ROD END,DEAN'S	