

Body

370 Heaters

COMFORT AIR AC
A/C PIPING

1

CONVECTION HEATING
UWE P90

2

INSTALLATION DIAGRAM

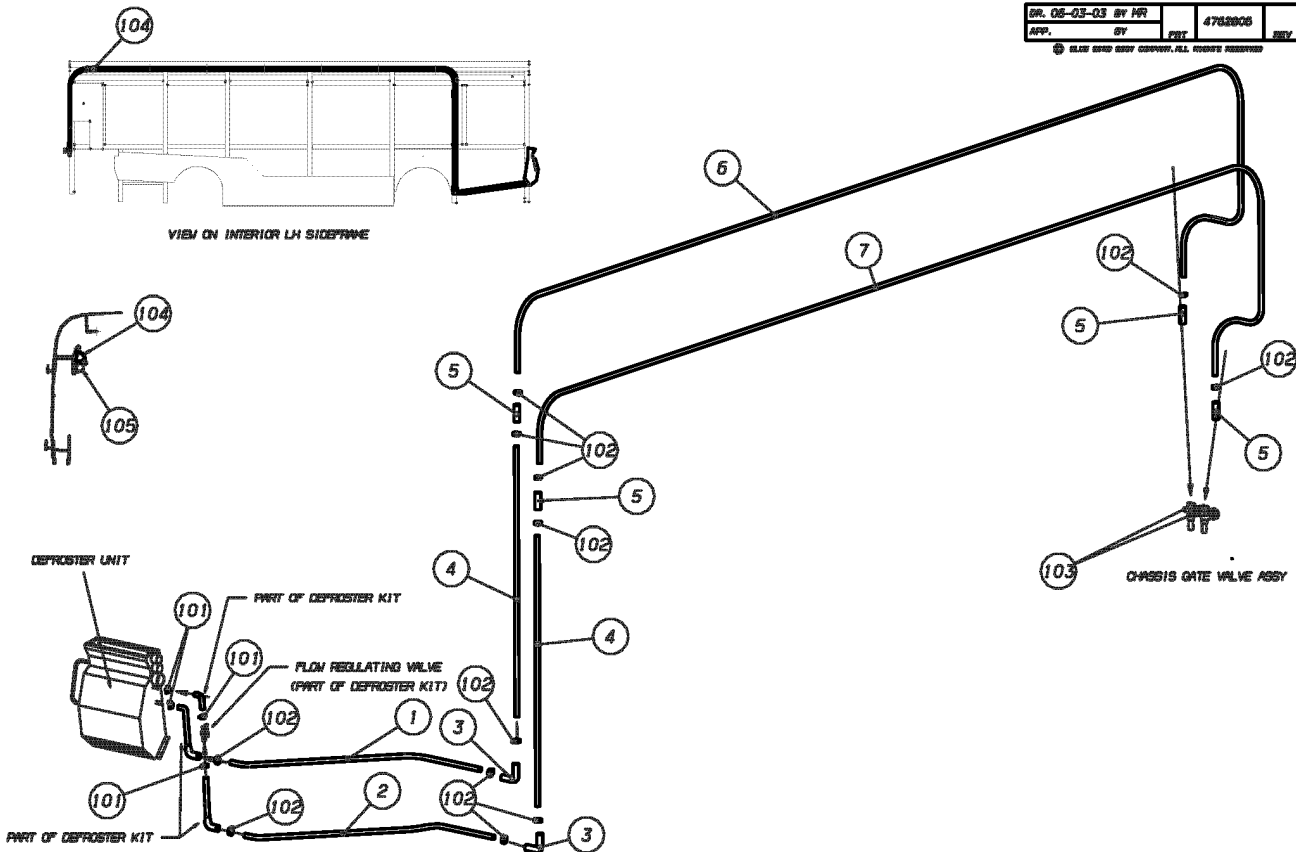
3

HEATER PIPING
UWE P90

4

Models: L3RE
COMFORT AIR AC
A/C PIPING

Key	PartNumber	Qty	Description	Comment
-----	------------	-----	-------------	---------



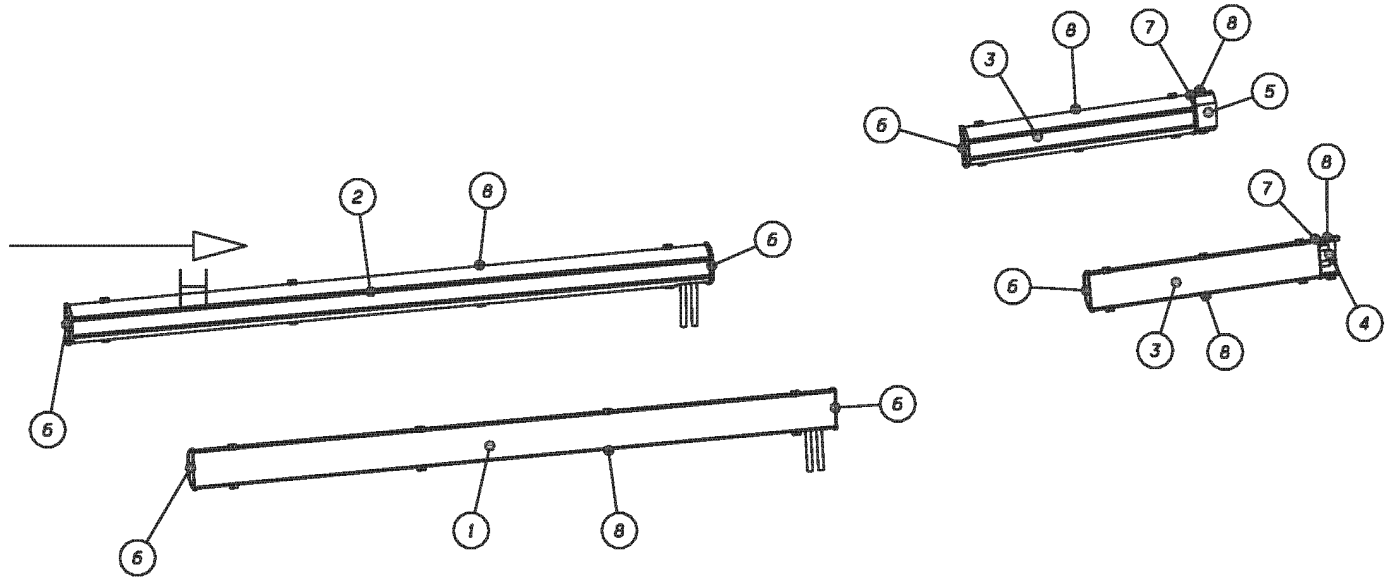
1	4762762		TUBE,ROUND,DEFROST RTN,CAB,25MM,PLASTIC
2	4762761		TUBE,ROUND,DEFROST FEED,CAB,25MM,
3	4762101	2	ELBOW,SILICONE,25MM ID,90 DEG
4	4762763	2	TUBE,ROUND,DEFROST,VERTICAL,25MM,
5	4762766	4	HOSE,SILICONE,JOINT,25MM ID,100MM LGTH
6	4762764		TUBE,ROUND,DEFROST,RETN,MAIN,25MM,
7	4762765		TUBE,ROUND,DEFROST,FEED,MAIN,25MM
10	4762750	4	HOSE,CLAMP,17-25MM,S/STEEL,JUBILEE
10	4762166	12	HOSE,CLAMP,25-35MM,S/STEEL,JUBILEE
10	4762556	2	HOSE,CLAMP,21-38MM,S/STEEL,JUBILEE
10	4762804	7	CLIP,ROUND,P,25MM ID,PIPE

Models: L3RE
COMFORT AIR AC
A/C PIPING

Key	PartNumber	Qty	Description	Comment
10	0599704	AR	TIE,CABLE,NYLON	
NI	1465947	7	NUT,HEX HD,1/4-20,LK,NYLON INSERT,YEL	
NI	1247709	7	WASHER,FLAT,17/64 ID X,5/8,YEL ZN DICH	

Models: **L3RE
CONVECTION HEATING
UWE P90**

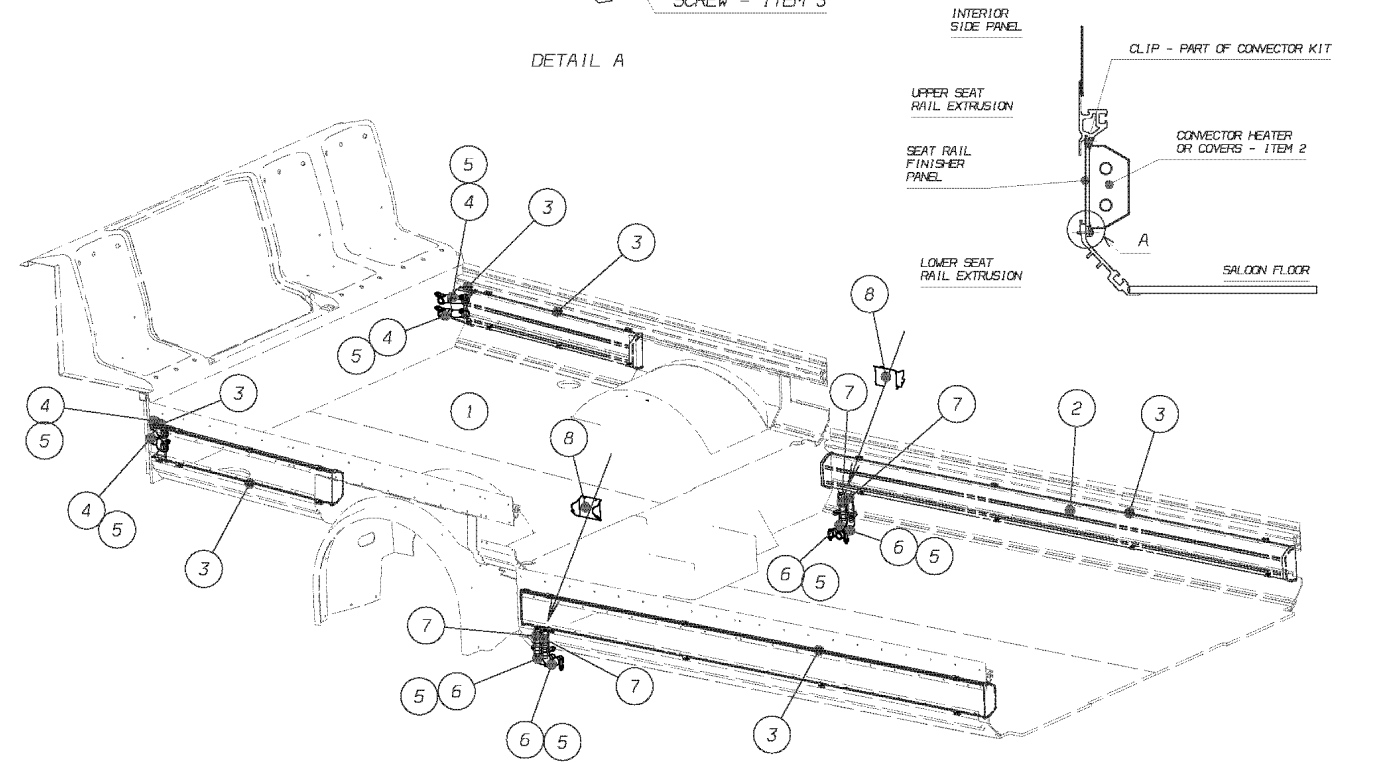
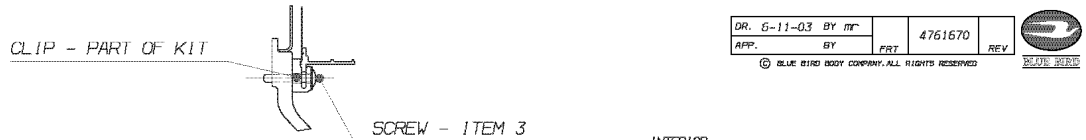
Key	PartNumber	Qty	Description	Comment
-----	------------	-----	-------------	---------



	4762971		KIT,HTG,UWE P90 CONVECTOR,FRT DR,L3RE
1	4762872		HEATER,CONVECTOR,UWE,P90,LWR,LH,L3RE
2	4762878		HEATER,CONVECTOR,UWE,P90,LWR,RH,L3RE
3	4762879	2	HEATER,CONVECTOR,UWE,P90,UPR,L3RE
4	4762897		COVER,CONVECTOR,UWE,P90,UPPR,LH,L3RE
5	4762896		COVER,CONVECTOR,UWE,P90,UPPR,RH,L3RE
6	4761350	6	END CAP,CLOSED,HEATER,CONVECTOR,UWE
7	4761351	2	END CAP,OPEN,HEATER,CONVECTOR,UWE P90
8	4761352	32	CLIP,HEATER,CONVECTOR,UWE P90

**Models: L3RE
CONVECTION HEATING
UWE P90
INSTALLATION DIAGRAM**

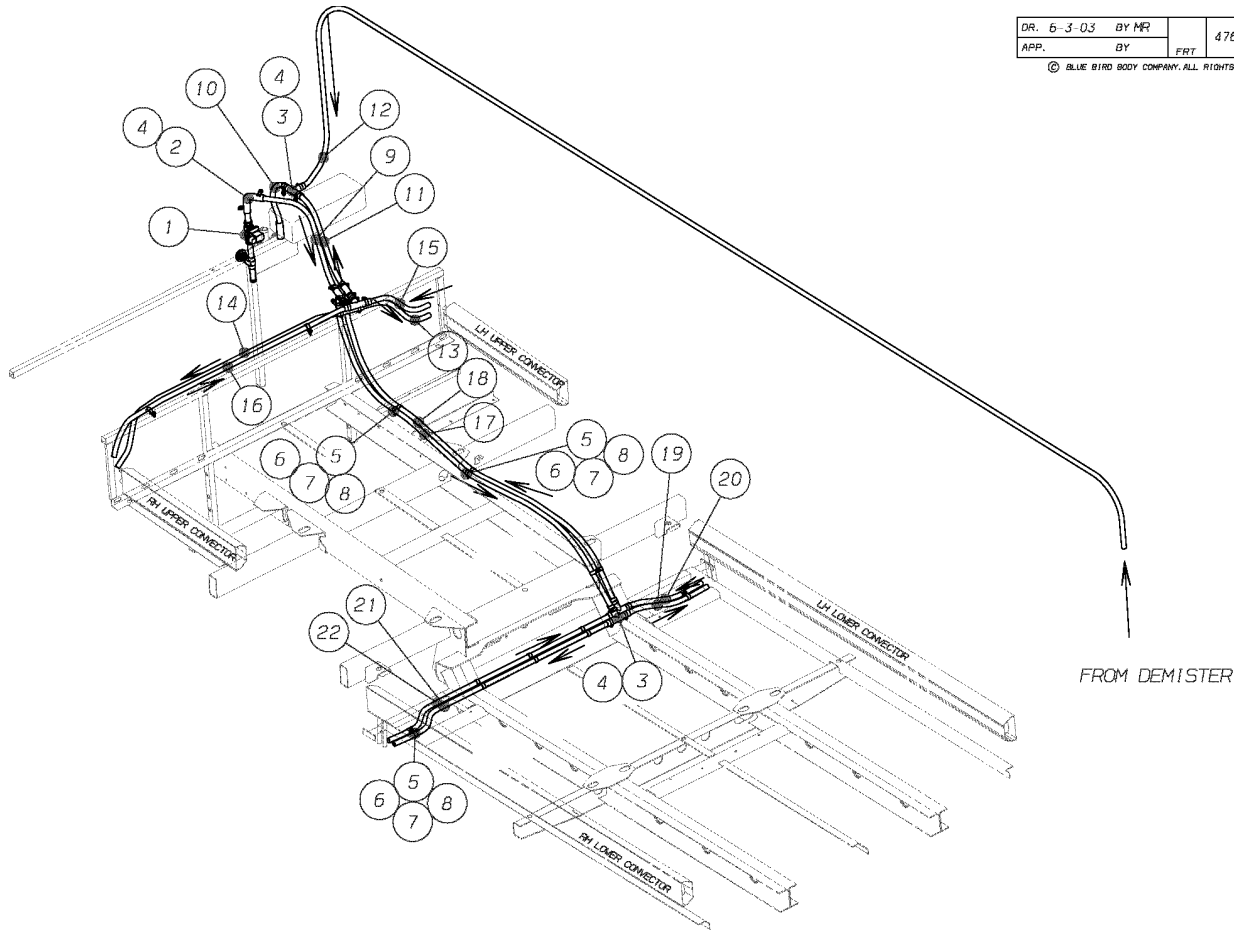
Key	PartNumber	Qty	Description	Comment
-----	------------	-----	-------------	---------



2	4762971		KIT,HTG,UWE P90 CONVECTOR,FRT DR,L3RE
3	4761354	AR	SCREW,10X1 IN,FLG HD,PH SELF TAPPING,ZK
4	4761690	AR	HOSE,OFFSET,SILICONE,90DEG,25-22MM
5	4763131	AR	CLAMP,HOSE,TORQUE,SPRING,1-1 5/8,S/ST
6	4763002	4	ELBOW,SLC,REDUCER,25ID TO 22ID,90DEG
7	4763034	4	HOSE,SLC,22ID,3IN
8	4761477	2	COVER,PIPE,HEATER,CONVECTOR,UWE P90

**Models: L3RE
HEATER PIPING
UWE P90**

Key	PartNumber	Qty	Description	Comment
-----	------------	-----	-------------	---------



DR. 6-3-03	BY MFR	4762973	REV	
APP.	BY	FRT	REV	

© BLUE BIRD BODY COMPANY. ALL RIGHTS RESERVED

1	4763041		VALVE ASSY,HTG,FEED,L3RE
2	4762101		ELBOW,SILICONE,25MM ID,90 DEG
3	4761688	7	HOSE,TEE,SILICONE,25MM EQUAL
4	1894799	23	CLAMP,CONSTANT TORQUE,13/16 TO 1-1/2 DIA
5	4763010	18	CLAMP,LOOP,NOT USED
6	0989145	10	CAPSCREW,HEX HD,5/16-18, X, 1, ,GR5,
7	1465954	10	NUT,HEX HD,5/16-18,LK,NYLON INSERT,YEL
8	2001121	10	WASHER,FLAT,5/16 X 3/4,X 5/64,YEL ZN DICH
9	4762959		PIPE,HTG,FEED,MAIN,L3RE
10	4762960		PIPE,HTG,W DEFR,RETN,MAIN,L3RE

**Models: L3RE
HEATER PIPING
UWE P90**

Key	PartNumber	Qty	Description	Comment
11	4762961		PIPE,HTG,RETN,MAIN,L3RE	
12	4762962		PIPE,DEFR,W HTG,RETN,L3RE	
13	4762963		PIPE,HTG,FEED,LH UPPER,L3RE	
14	4762964		PIPE,HTG,FEED,RH UPPER,L3RE	
15	4762965		PIPE,HTG,RETN,LH UPPER,L3RE	
16	4762966		PIPE,HTG,RETN,RH UPPER,L3RE	
17	4762974		PIPE,HTG, FEED, LWR FLOOR,L3RE	
18	4762975		PIPE,HTG,RETN,LWR FLOOR,L3RE	
19	4762976		PIPE,HTG,FEED,LH LWR,L3RE	
20	4762978		PIPE,HTG,RETN,LH LWR,L3RE	
21	4762977		PIPE,HTG,FEED,RH LWR,L3RE	
22	4762979		PIPE,HTG,RETN,RH LWR,L3RE	