
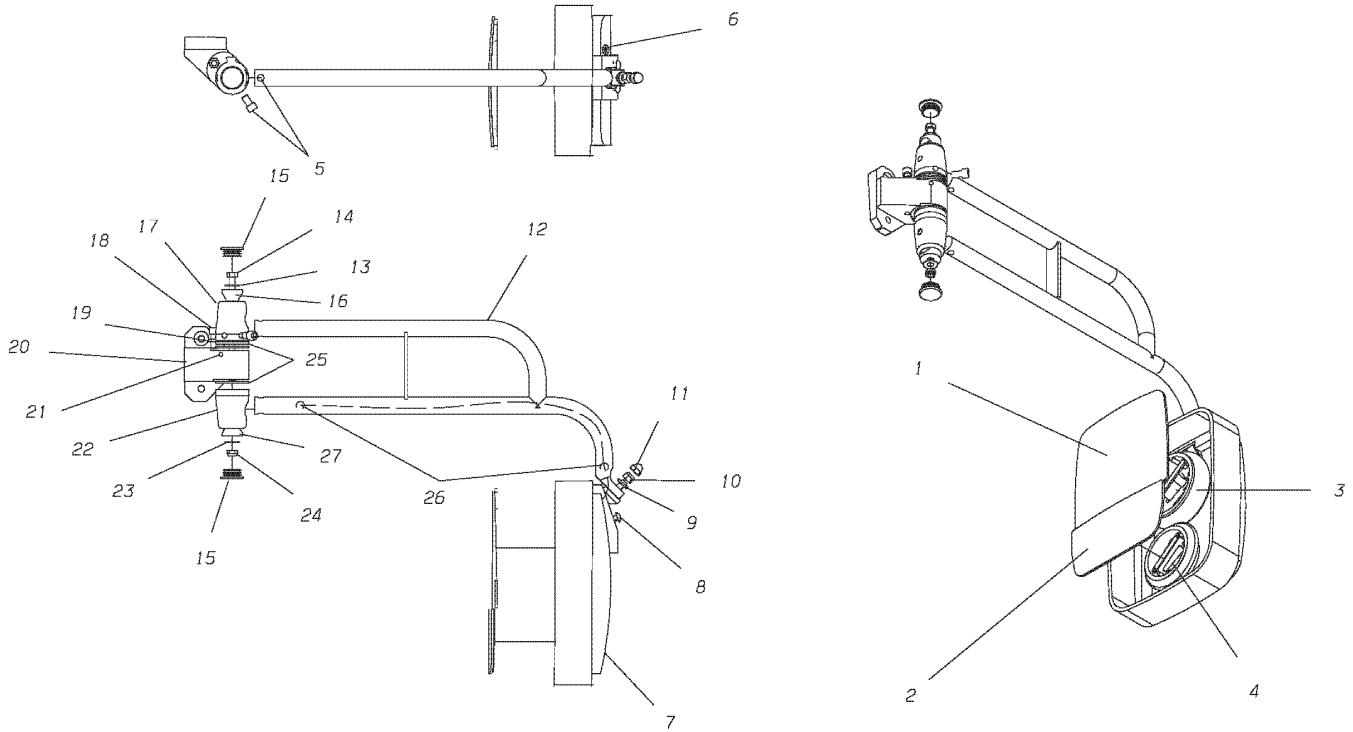


Models: L3RE
EXTERIOR
CURBSIDE (PASSENGER SIDE)
HEATED/ REMOTE
With: FEATURE 30482-05

Key	PartNumber	Qty	Description	Comment
-----	------------	-----	-------------	---------

DR. 01/21/04 BY TB	4262889	
APP. BY	REV	

© BLUE BIRD BODY COMPANY. ALL RIGHTS RESERVED. BLUE BIRD



	4762889		MIRROR ASSY,PASS,CURBSIDE,HTD/REM,B&R 8	
1	0094577		GLASS,UPPER,FLAT,B&R,L3RE	
2	0094576		GLASS,BOTTOM,CONVEX,B&R,L3RE	
3	0063317		MOTOR,MIRROR,12V,HTD/REMOTE (B&R)"	
4	0071955		MECHANISM,MIRROR,LOWER,TIP TAP W/LOCK	
5			CAPSCREW	
6			GROMMET	
7	0094024		MIRROR HEAD,PASSENGER,HEATED/REMOTE,	
8			SCREW, MACHINE	
9			LOCKWASHER	
10	0063598		NUT,MIRROR,ACORN,B&R	



Models: L3RE
EXTERIOR
CURBSIDE (PASSENGER SIDE)
HEATED/ REMOTE
With: FEATURE 30482-05

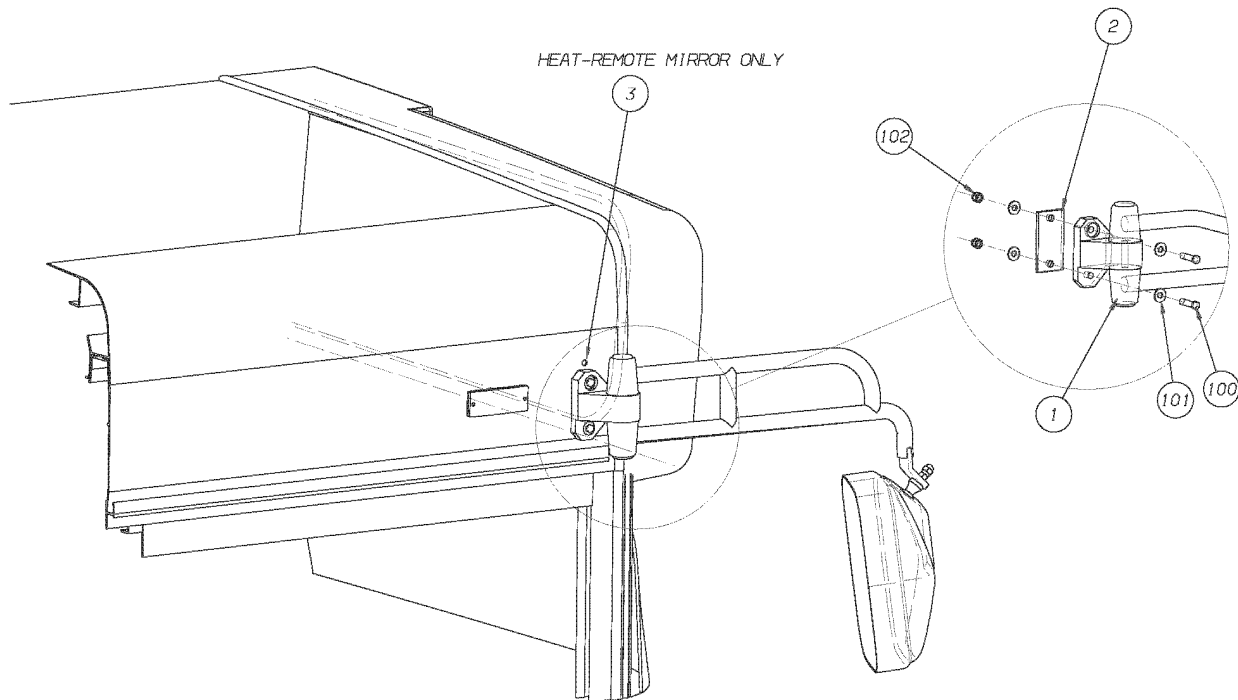
Key	PartNumber	Qty	Description	Comment
11	0063595		NUT,LOCK,JAM,BOLT,MIRROR ARM,B&R	
12	0094670		ARM,MIRROR,DOUBLE,24",PASSENGER,B&R	
13			FLATWASHER	
14			BOLT, HEX HEAD	
15	0063324		CAP,BOLT,MIRROR ARM,B&R	
16			CLAMP	
17			CAP, TOP	
18			CAPSCREW	
19			JAM NUT	
20			BRACKET, MTG, CURBSIDE	
21			GREASE ZERT	
22			CAP, TOP	
23			FLATWASHER	
24			LOCKNUT	
25			WASHER, 2"	
26	0063596		GROMMET,MIRROR,ARM,B&R	
27			CLAMP	

Models: L3RE
EXTERIOR
CURBSIDE (PASSENGER SIDE)
INSTALLATION

With: FEATURE 30482-05 or FEATURE 30483-11

Key	PartNumber	Qty	Description	Comment
-----	------------	-----	-------------	---------

DR. 01/26/04	BY TB	4762883		
APP.	BY	PRT	REV	
© BLUE BIRD BODY COMPANY. ALL RIGHTS RESERVED. 				



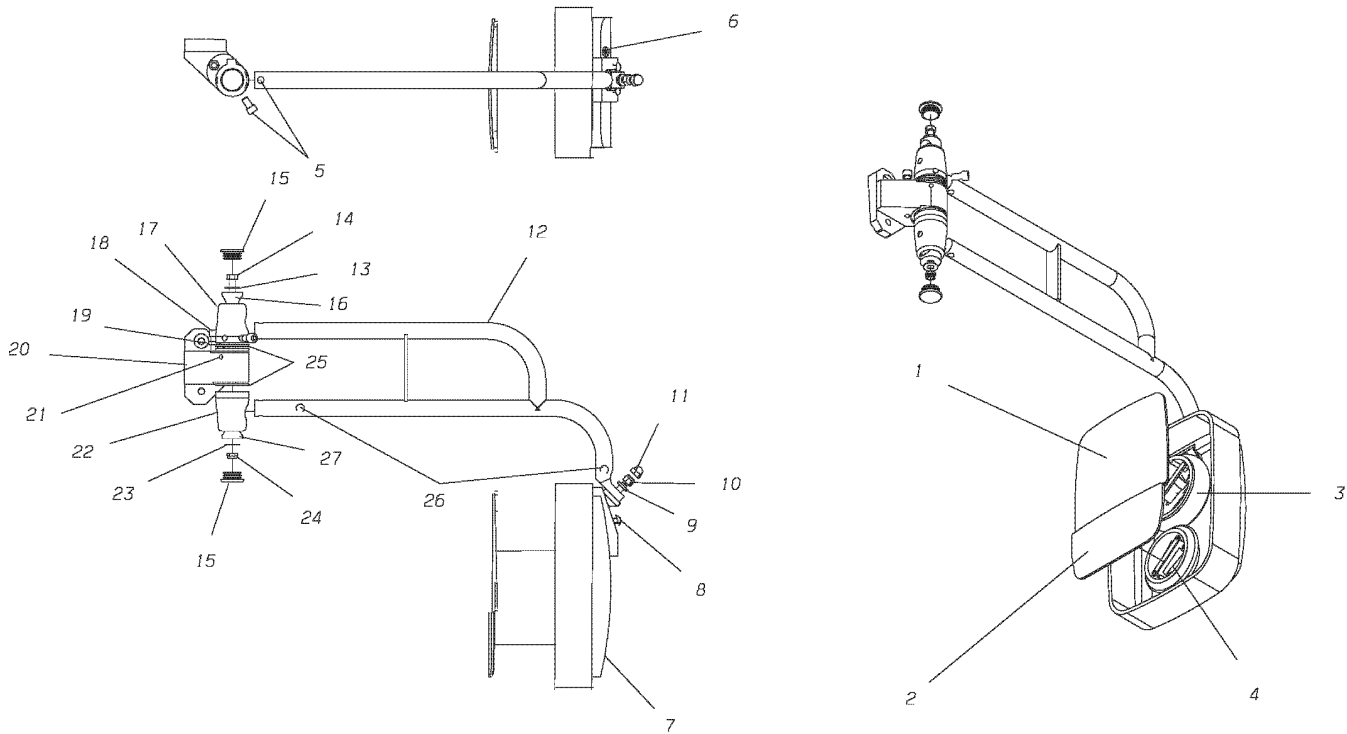
1	4762889		MIRROR ASSY,PASS,CURBSIDE,HTD/REM,B&R 8	FEATURE 30482-05.
1	4762941		MIRROR ASSY,PASS,CURBSIDE,MANUAL,B&R 8	FEATURE 30483-11.
2	4761665		PLATE,MTG,MIRROR	
3	1619477		GROMMET,RUBBER,.25 ID X .38 OD	USE WITH FEATURE 30482-05 ONLY.
10	2050839	2	CAPSCREW,HEX HD,3/8-16X1 1/2,GR5,YEL	
10	1078922	4	WASHER,FLAT,3/8 X 7/8 X 5/64,YEL ZN DICH	
10	0826297		NUT,HEX HD,3/8-16 LOCK,YEL ZN DICH	

Models: L3RE
EXTERIOR
CURBSIDE (PASSENGER SIDE)
MANUAL
With: FEATURE 30483-11

Key	PartNumber	Qty	Description	Comment
-----	------------	-----	-------------	---------

DR. 01/21/04	BY: TB	4762941	
APP:	BY:	FRT	REV:

© BLUE BIRD BODY COMPANY. ALL RIGHTS RESERVED



4762941 MIRROR ASSY,PASS,CURBSIDE,MANUAL,B&R 8

- 1 GLASS, TOP, FLAT
- 2 GLASS, BOTTOM, CONVEX
- 3 0063593 MECHANISM,MIRROR,MANUAL,UPPER,B&R
- 4 0071955 MECHANISM,MIRROR,LOWER,TIP TAP W/LOCK
- 5 CAPSCREW
- 6 GROMMET
- 7 HEAD, MIRROR, W/ INSERT
- 8 SCREW, MACHINE
- 9 LOCKWASHER
- 10 0063595 NUT,LOCK,JAM,BOLT,MIRROR ARM,B&R
- 11 0063598 NUT,MIRROR,ACORN,B&R

Models: L3RE
EXTERIOR
CURBSIDE (PASSENGER SIDE)
MANUAL
With: FEATURE 30483-11


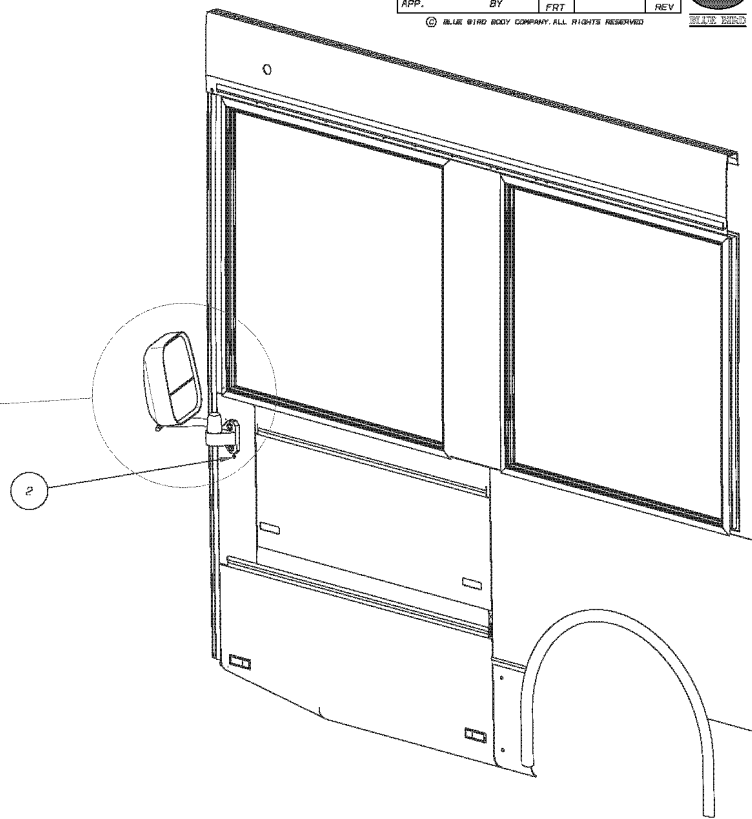
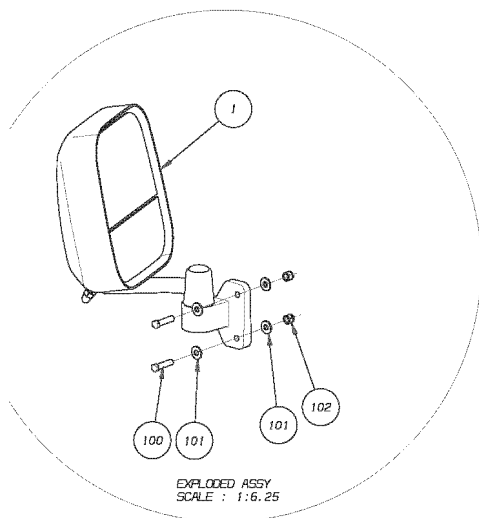
Key	PartNumber	Qty	Description	Comment
12			ARM, DOUBLE, MIRROR, 24"	
13			FLATWASHER	
14			BOLT, HEX HEAD	
15	0063324		CAP,BOLT,MIRROR ARM,B&R	
16			CLAMP	
17			CAP, TOP	
18			CAPSCREW	
19			JAM NUT	
20			BRACKET, MTG, CURBSIDE	
21			GREASE ZERT	
22			CAP, TOP	
23			FLATWASHER	
24			LOCKNUT	
25			WASHER, 2"	
26	0063689		PLUG,MIRROR,ARM,B&R	
27			CLAMP	

Models: L3RE
EXTERIOR
ROADSIDE (DRIVER'S SIDE)
With: FEATURE 30482-05 or FEATURE 30483-11

Key	PartNumber	Qty	Description	Comment
-----	------------	-----	-------------	---------

DR. 01/26/04	BY TB	4762882	REV
APP.	BY	FRT	REV

© BLUE BIRD BODY COMPANY. ALL RIGHTS RESERVED


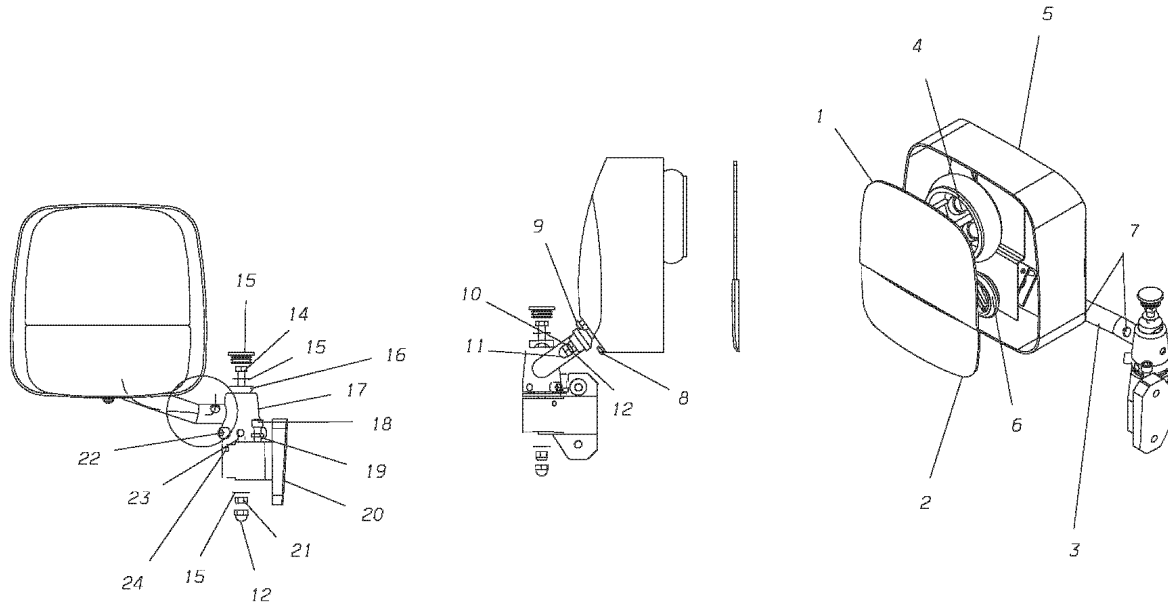
1	4760887		MIRROR ASSY,DRIVER,ROADSIDE,HTD/REM,	FEATURE 30482-05.
1	4762887		MIRROR ASSY,DRIVER,ROADSIDE,MANUAL,B&R	FEATURE 30483-11.
2	1619477		GROMMET,RUBBER,.25 ID X .38 OD	
10	2050839	2	CAPSCREW,HEX HD,3/8-16X1 1/2,GR5,YEL	
10	1078922	4	WASHER,FLAT,3/8 X 7/8 X 5/64,YEL ZN DICH	
10	0826297	2	NUT,HEX HD,3/8-16 LOCK,YEL ZN DICH	

Models: L3RE
EXTERIOR
ROADSIDE (DRIVER'S SIDE)
HEATED, REMOTE
With: FEATURE 30482-05

Key	PartNumber	Qty	Description	Comment
-----	------------	-----	-------------	---------

DR. 1-20-04	BY MR	4760887	REV
APP.	BY	FDT	REV

© BLUE BIRD BODY COMPANY. ALL RIGHTS RESERVED

4760887	MIRROR ASSY,DRIVER,ROADSIDE,HTD/REM,
1	GLASS, TOP, FLAT
2	GLASS, BOTTOM, CONVEX
3	ARM, MIRROR, 7"
4	0063317 MOTOR,MIRROR,12V,HTD/REMOTE (B&R)"
5	HEAD, MIRROR
6	0071955 MECHANISM,MIRROR,LOWER,TIP TAP W/LOCK
7	0063596 GROMMET,MIRROR,ARM,B&R
8	GROMMET, MIRROR HEAD
9	SCREW
10	LOCKWASHER
11	LOCKNUT

Models: L3RE
EXTERIOR
ROADSIDE (DRIVER'S SIDE)
HEATED, REMOTE
With: FEATURE 30482-05

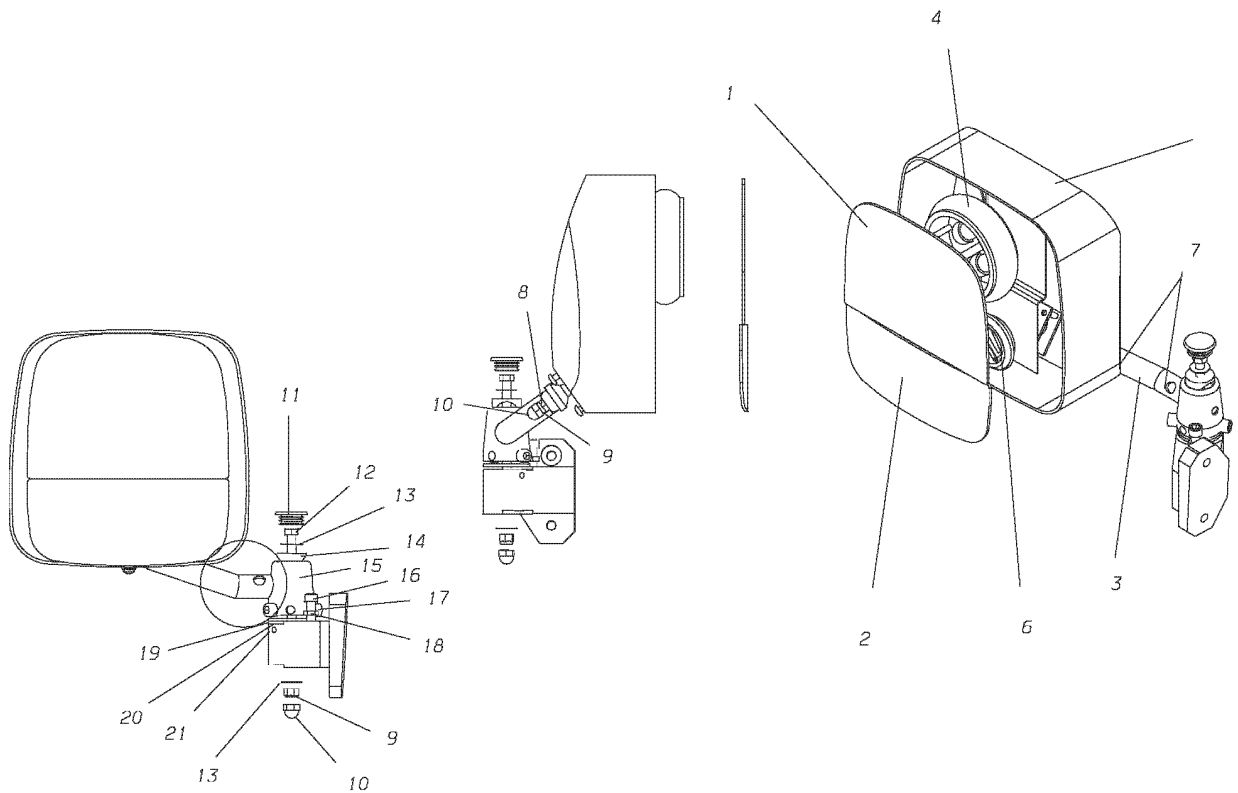
Key	PartNumber	Qty	Description	Comment
12	0063598		NUT,MIRROR,ACORN,B&R	
14			BOLT	
15	0063324		CAP,BOLT,MIRROR ARM,B&R	
16			CLAMP	
17			TOP CAP	
18			CAPSCREW	
19			JAM NUT	
20			BRACKET	
21			LOCKNUT	
22			CAPSCREW	
23			FLAT WASHER	
24			GREASE ZERT	

Models: L3RE
EXTERIOR
ROADSIDE (DRIVER'S SIDE)
MANUAL
With: FEATURE 30483-11

Key	PartNumber	Qty	Description	Comment
-----	------------	-----	-------------	---------

DR. 1-20-04	BY TB	4762887		
APP.	BY	FRT	REV	

© BLUE BIRD BODY COMPANY. ALL RIGHTS RESERVED



4762887 MIRROR ASSY,DRIVER,ROADSIDE,MANUAL,B&R

- 1 GLASS, TOP, FLAT
- 2 GLASS, BOTTOM, CONVEX
- 3 ARM, MIRROR, 7"
- 4 0063593 MECHANISM,MIRROR,MANUAL,UPPER,B&R
- 5 HEAD, MIRROR
- 6 0071955 MECHANISM,MIRROR,LOWER,TIP TAP W/LOCK
- 7 0063689 PLUG,MIRROR,ARM,B&R
- 8 LOCKWASHER
- 9 LOCKNUT
- 10 0063598 NUT,MIRROR,ACORN,B&R

Models: L3RE
EXTERIOR
ROADSIDE (DRIVER'S SIDE)
MANUAL
With: FEATURE 30483-11

Key	PartNumber	Qty	Description	Comment
11	0063324		CAP,BOLT,MIRROR ARM,B&R	
12			BOLT	
13			FLATWASHER	
14			CLAMP	
15			CAP, TOP	
16			CAPSCREW	
17			JAM NUT	
18			BRACKET	
19			CAPSCREW	
20			FLAT WASHER	
21			GREASE ZERT	