

Body**450 Compartments**

BATTERY

With: FEATURE 30887-01, -02 _____ 1

DOOR

From UNITS 1 THRU 30 _____ 2

From UNITS 31 THRU 60 _____ 3

LUGGAGE


RACK

COLLAPSABLE

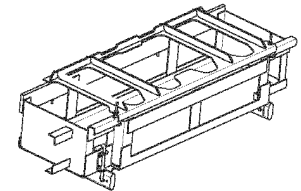
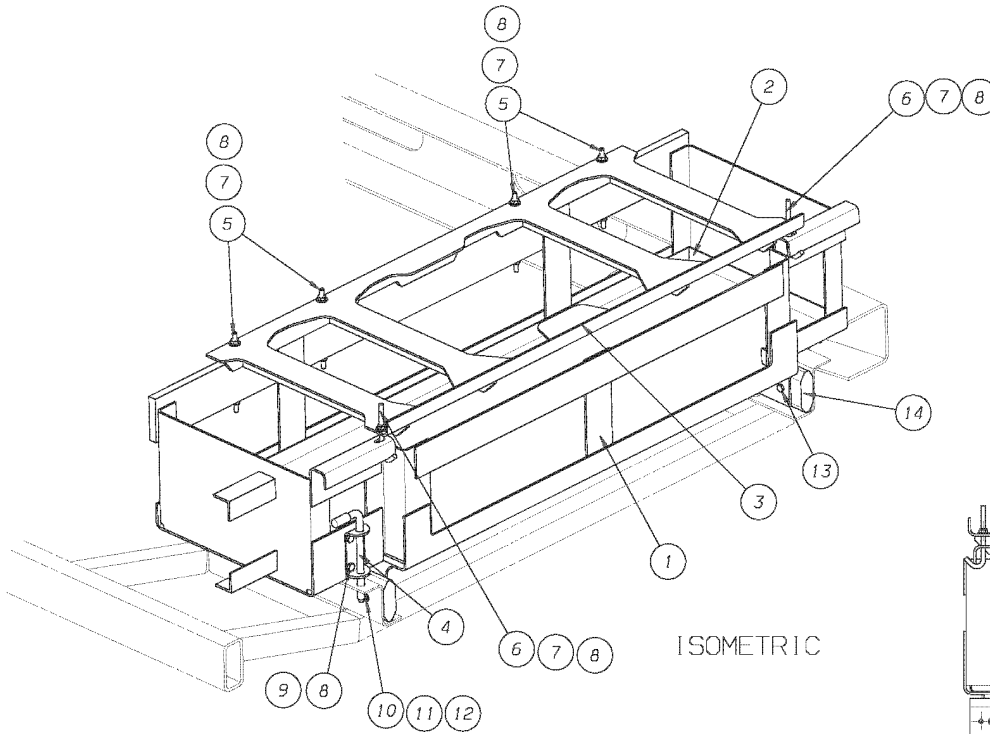
_____ 4

Models: L3RE
BATTERY
With: FEATURE 30887-01, -02

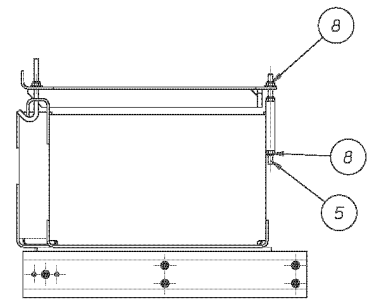
Key	PartNumber	Qty	Description	Comment
-----	------------	-----	-------------	---------

DR. 11-19-03 BY MR	4762922	A	
APP. BY FRT	REV		

© BLUE BIRD BODY COMPANY. ALL RIGHTS RESERVED



ISOMETRIC INVERTED CLAMP



ISOMETRIC

1	4762849		FRAME,ASSY,BATTERY CARRIER,MULTI-FIT
2	4762855		LINER,ASSY,BATTERY CARRIER
3	4763219		CLAMP,ASSY,BATTERY CARRIER
4	4754567		BOLT SPRING LOCK
5	4763040	4	CLAMP,BOLT,1/4-20 UNC,BATTERY CARRIER
6	4763492	2	BAR,STL,BATTERY CLAMP,1/4 UNC,HOOK
7	1247709	6	WASHER,FLAT,17/64 ID X,5/8,YEL ZN DICH
8	1465947	18	NUT,HEX HD,1/4-20,LK,NYLON INSERT,YEL
9	0807958	4	CAPSCREW,HEX HD,1/4-20X 1/2,GR8,YEL ZN
10	0006074	10	SCREW,MACH,8-32 X 3/4,PH,CNSK,YEL ZN
11	0019196	10	WASHER,FLAT,NO 8,YEL ZN DICH

FEATURE 30887-01 ONLY

Models: L3RE
BATTERY
With: FEATURE 30887-01, -02


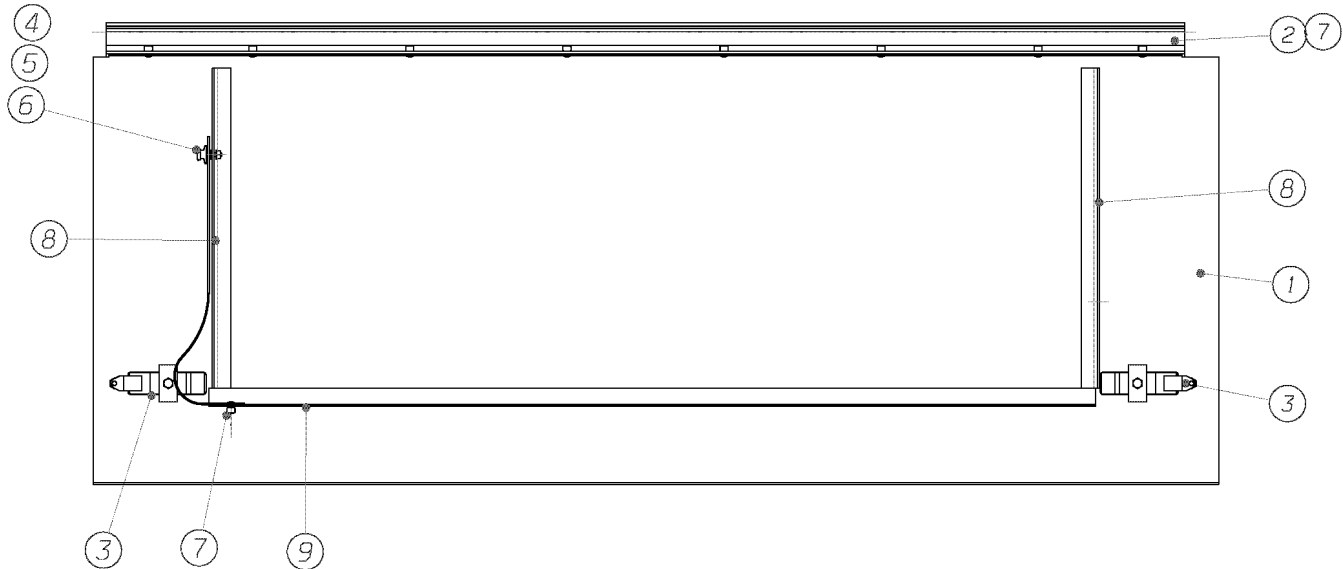
Key	PartNumber	Qty	Description	Comment
13	0971747	8	CAPSCREW,HX HD,M6-1 X 16,CL 10.9,	
14	4754531	2	RAIL TELESCOPIC SLIDE (WIDNEY: 61/30123)	
NI	4760836		DOOR ASSY,BATTERY	<i>UNITS 1 THRU 30</i>
NI	4762017		DOOR,ASSY,BATTERY	<i>UNITS 31 AND AFTER</i>

Models: L3RE
BATTERY DOOR
BSN: From UNITS 1 THRU 30

Key	PartNumber	Qty	Description	Comment
-----	------------	-----	-------------	---------

DR. 12-4-03	BY M*		4760836	REV
APP.	BY	FR		

© BLUE BIRD BODY COMPANY. ALL RIGHTS RESERVED

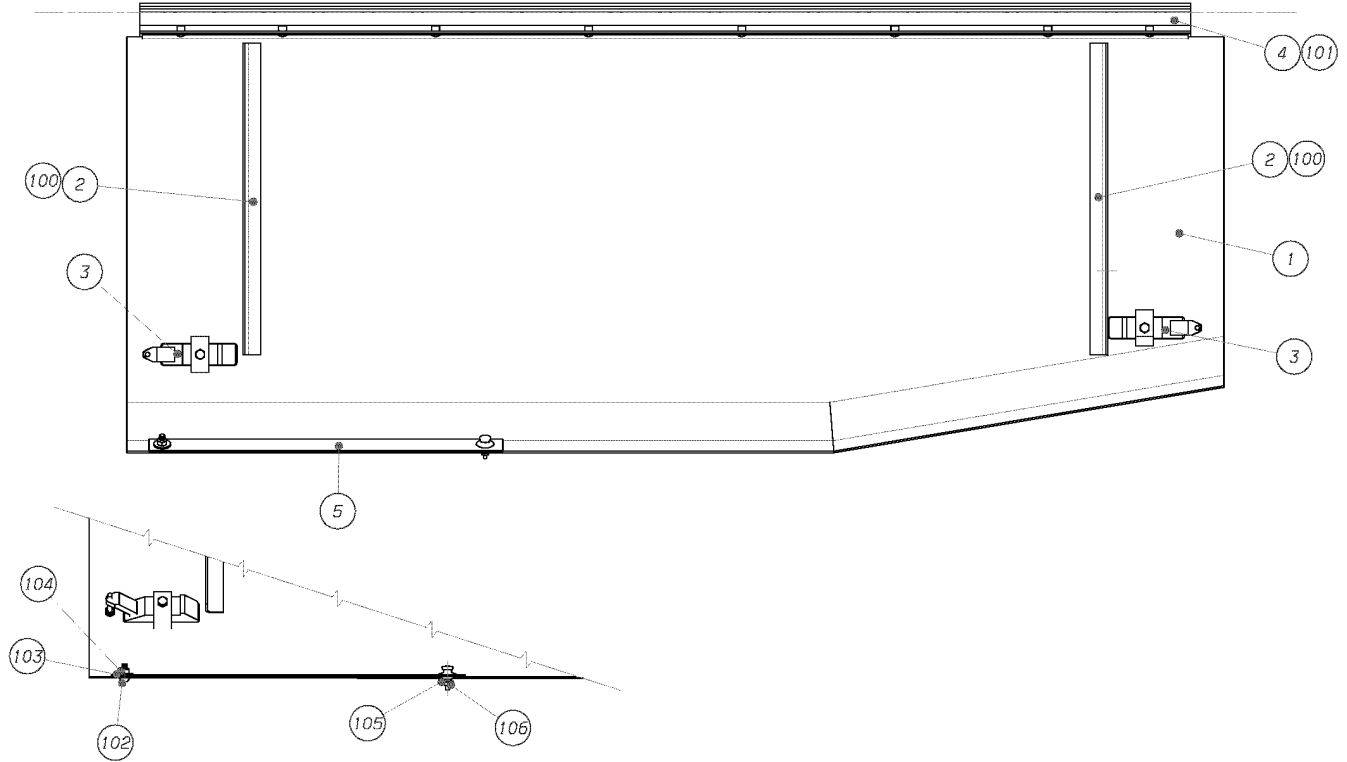
	4760836	DOOR ASSY,BATTERY	<i>CONSISTS OF THE FOLLOWING</i>
1		PANEL, DOOR, BATTERY	
2	4761107	HINGE,DOOR,L1188	
3	1798420	2 LATCH,ADJUSTABLE LEVER,THIN GRIP	
4	4759367	STRAP ASSY TENAX	
5		WASHER	
6		NUT	
7		2 RIVET	
8		2 ANGLE	
9		ANGLE	

Models: L3RE
BATTERY DOOR
BSN: From UNITS 31 THRU 60

Key	PartNumber	Qty	Description	Comment
-----	------------	-----	-------------	---------

DR. 12-4-03	BY: FR	4762017	REV
APP.	BY: FBT		

© BLUE BIRD BODY COMPANY. ALL RIGHTS RESERVED



4762017 DOOR,ASSY,BATTERY

CONSISTS OF THE FOLLOWING

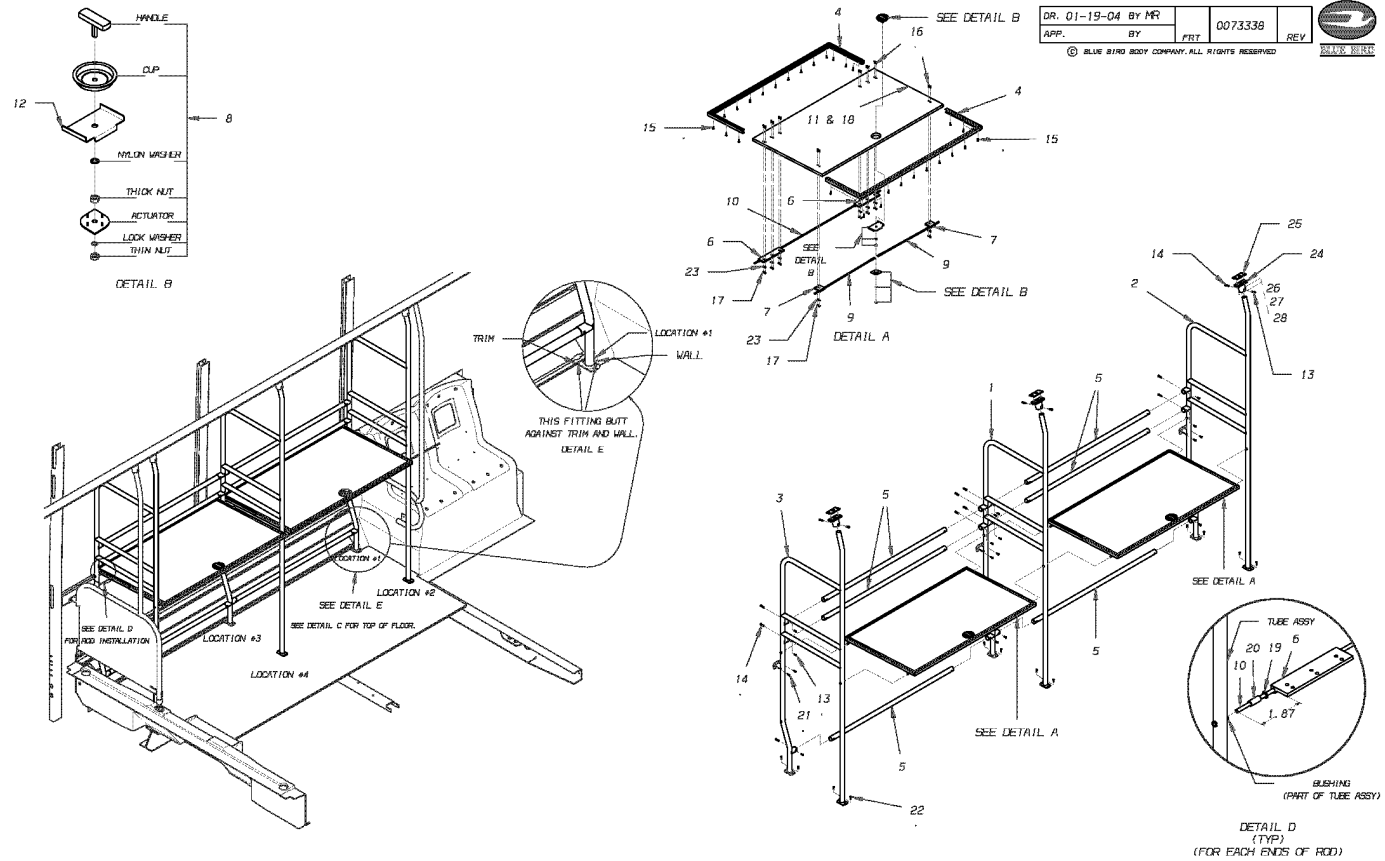
- 1 PANEL, DOOR, BATTERY ACCESS
- 2 2 ANGLE, ALUM, DOOR VERT STIFFENER
- 3 1798420 2 LATCH,ADJUSTABLE LEVER,THIN GRIP
- 4 4761107 HINGE,DOOR,L1188
- 5 4759367 STRAP ASSY TENAX
- 10 SEALANT ADHESIVE GRAY
- 10 RIVET
- 10 CAPSCREW, ROUND, 1/4-20
- 10 WASHER, FLAT
- 10 NUT, HEX HD

Models: L3RE
BATTERY
DOOR
BSN: From UNITS 31 THRU 60

Key	PartNumber	Qty	Description	Comment
10			WASHER, FLAT	
10			NUT	

**Models: L3RE
LUGGAGE
RACK
COLLAPSABLE**

Key	PartNumber	Qty	Description	Comment
-----	------------	-----	-------------	---------



1	0072965		TUBE ASSY,CENTER,COLLAPSABLE L/RACK,
2	0072966		TUBE ASSY,FRONT,COLLAPSABLE L/RACK, L3RE
3	0072967		TUBE ASSY,REAR,COLLAPSABLE L/RACK, L3RE
4	0070881	4	TRIM,PLYWOOD,COLLAPSABLE LUGGAGE RACK,
5	0072930	6	TUBE,HORIZONTAL,WALL,COLLAPSABLE
6	0072927	4	HINGE,WALL,COLLAPSABLE LUGGAGE RACK,
7	0072956	4	HINGE,LATCH,COLLAPSABLE LUGGAGE RACK,
8	0072958	2	LATCH,CUP,FLUSH"
9	0072959	4	ROD,LATCH,.312 OD,COLLAPSABLE L/RACK,
10	0072962	2	ROD,WALL,COLLAPSABLE LUGGAGE RACK, L3RE

Models: L3RE
LUGGAGE
RACK
COLLAPSABLE

Key	PartNumber	Qty	Description	Comment
12	0073021	2	BRACKET,LATCH,COLLAPSABLE LUGGAGE RACK,	
13	1607035	9	SCREW,TUBE FITTING,EXTERNAL THD,1/4-28	
14	1607043	9	SCREW,TUBE FITTING,INTERNAL THD,1/4-28	
15	2000511	64	SCREW,10-16 X 1/2,AB,PH1,TRUSS HD,	
16	1467323	32	SCREW,ALLEN,1/4-20 X 1 1/2,CSK,FLT HD	
17	1465947	32	NUT,HEX HD,1/4-20,LK,NYLON INSERT,YEL	
18	1637941	10	LINER,DASH,FOSS SPECTROPILE,A70 GREY,72"	
19	0072955	4	RETAINER,SHAFT,.312 ROD	
20	1346865	AR	TUBING,PLASTIC,1/2 OD,BLACK,SAE J844 TYPE	
21	4762326	12	SCREW,PAN HEAD,TAPTITE,1/4"X1",ZP	
22	4762327	12	SCREW,PAN HEAD,TAPTITE,1/4"X1 1/2",ZP	
23	1247709	32	WASHER,FLAT,17/64 ID X,5/8,YEL ZN DICH	
24	4760151	3	FITTING,HANDRAIL,CEILING CUP,PV-68	
25	4760387	3	PLATE CLAMP HANDPOLE STANCHION	
26	4760573	6	WASHER,FLAT,6MM,YL ZN DICH	
27	4760572	6	WASHER,LOCK,SPLIT RING,6MM,MED,YL ZN	
28	4760571	6	SCREW,CAP,M6X16,SKT ZP	