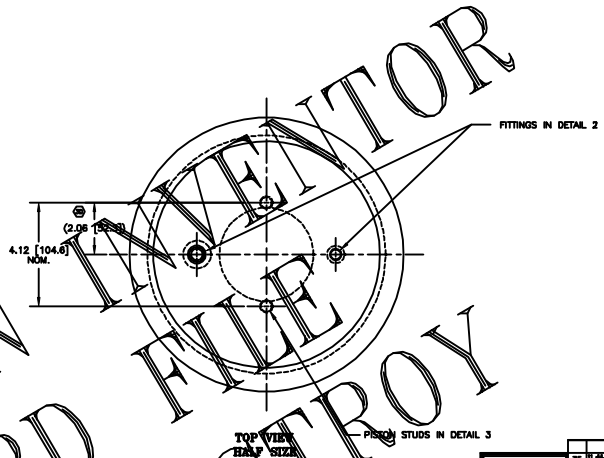
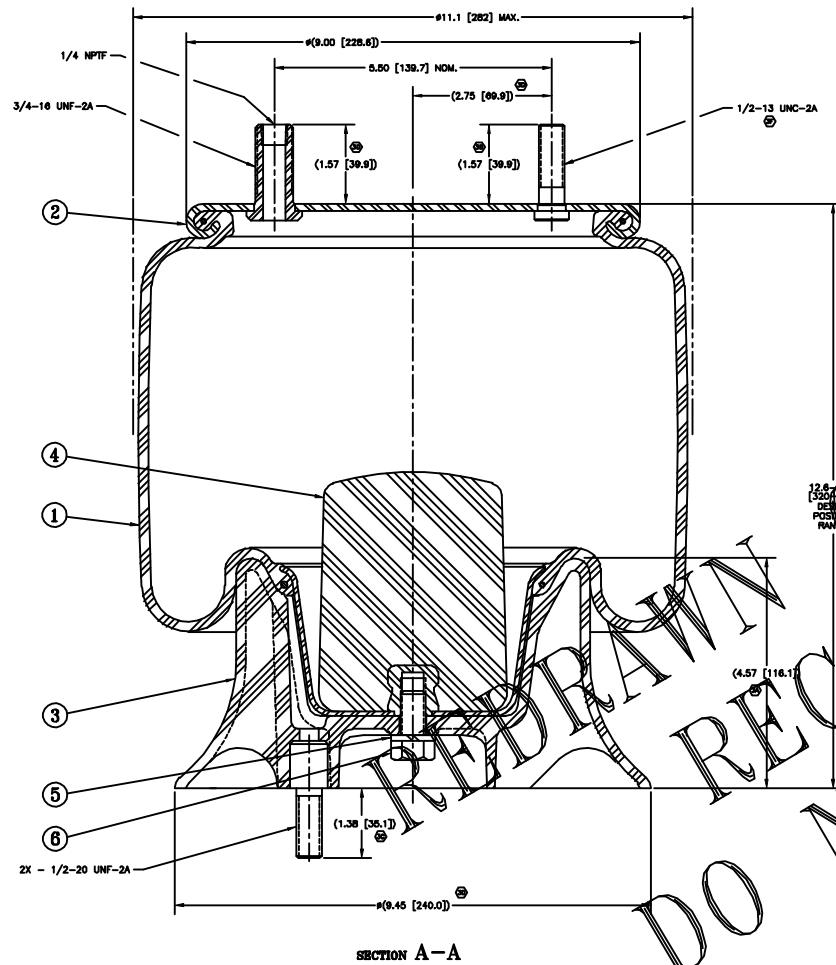


BASIC ASSEMBLY						
DET	DESCRIPTION	QTY	DWG. NO.	FSN (G)	AGN	BUMPER CONTACT KIT.
1	IT16AA-3 AIR SPRING PART	1		001-308-2132	W01-308-9996	(6.4 [163])
2	BEAD PLATE	1	NDD-9928	70-3582-2235		
3	PISTON	1	NAD-28594	70-3582-8536		
4	BUMPER	1	NCD-3073 DET 2	C71-308-0343		
5	1/2 STANDARD LOCK WASHER	1	NDD-2940	70-3582-8426		
6	1/2-13 UNC-2A X 1.50 [26.4] LG. HEX HD. BOLT	1	NDD-2941 DET 1	70-3582-8103		



SECTION A-A

DRAWN ON INVENTOR RECORD FILE DO NOT DESTROY

REV	DATE	DESCRIPTION	BY	CHKD
3F	1/2	ISSUE TO INVENTOR		YES
3E	1/2	ISSUE TO INVENTOR		YES
3D	1/2	ISSUE TO INVENTOR		YES
3C	1/2	ISSUE TO INVENTOR		YES
3B	1/2	ISSUE TO INVENTOR		YES
3A	1/2	ISSUE TO INVENTOR		YES

NOTE: HAND TOOL
 3 1/2
 1 1/2
 1 1/2

ANGLES & UNLESS SPEC. REMOVE BURRS AND SHARP EDGES

MATL.	REF. DWG.	JUL.
	NAD-18240 (PARALLEL)	

THIS DRAWING IS THE CONFIDENTIAL PROPERTY OF FIRESTONE INDUSTRIAL PRODUCTS CO. IT IS TO BE KEPT IN THE OFFICE OF THE INVENTOR AND NOT TO BE REPRODUCED OR USED IN ANY MANNER WITHOUT THE WRITTEN PERMISSION OF FIRESTONE INDUSTRIAL PRODUCTS CO.

The acceptance of this drawing will be construed as an acceptance of the foregoing conditions, and as an obligation of the customer to accept it in the absence of Firestone Industrial Products Company.

IT16AA-3
ASSEMBLY
FIRESTONE

Firestone
INDUSTRIAL PRODUCTS CO.
 DEARBORN, MICHIGAN
 DIVISION OF FIRESTONE INDUSTRIAL PRODUCTS CO.

Drawn by: S.J.T. Checked by: E.D. App'd by: PPK
 Date: 15 JUN 94 Scale: FULL

NAD-28112-3