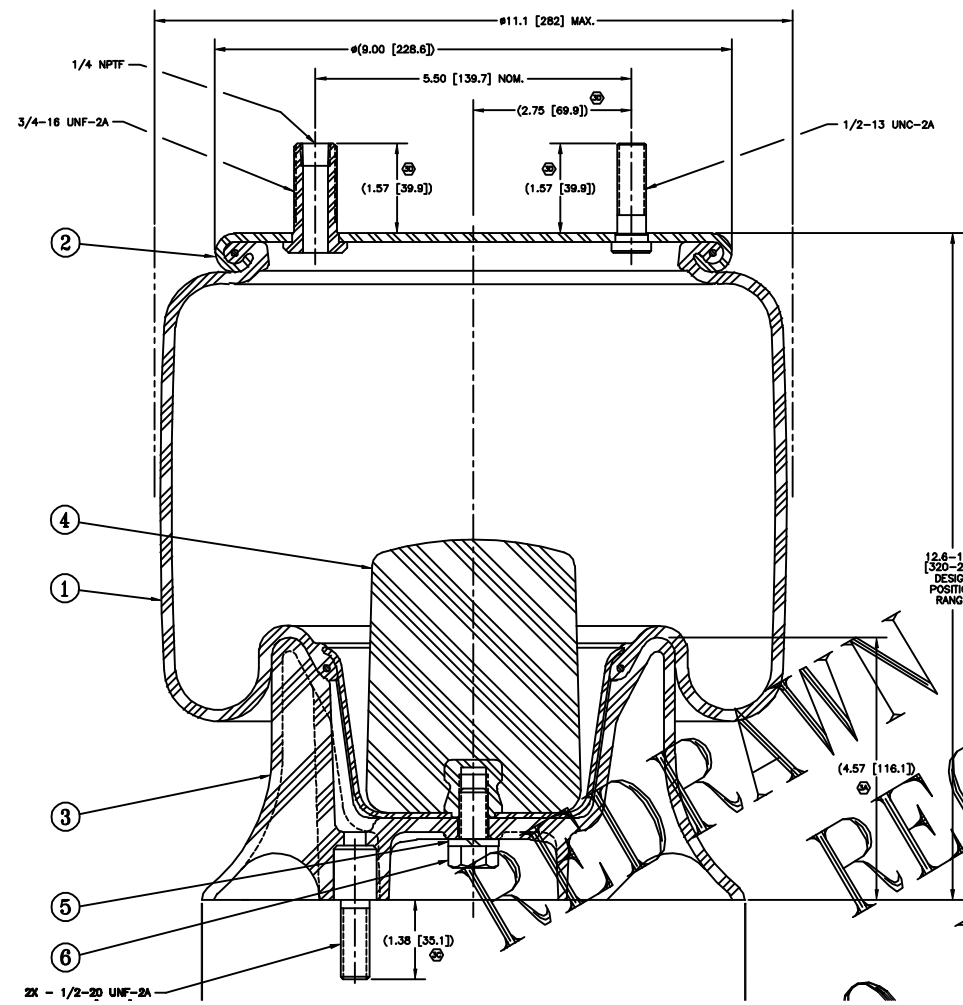


BASIC ASSEMBLY

DET	DESCRIPTION	QTY	DWG. NO.	FSN	AON	BUMPER CONTACT HT.
①	1 TT15AA-3 AIR SPRING PART	1		C01-358-2132	W01-358-9290	(6.4 [163])
②	2 BEAD PLATE	1		NBD-092B		
③	3 PISTON	1		NAD-29584		
④	4 BUMPER	1		NCD-3073 DET 2		
⑤	5 1/2 STANDARD LOCK WASHER	1		NDD-2940		
⑥	6 1/2-13 UNC-2A X 1.00 [25.4] LG. HEX HD. BOLT	1		NDD-2941 DET 1		



FITTINGS IN DETAIL 2



RIBS IN DETAIL 3

REDRAWN ON INVENTOR RECORD FILE NOT DESTROY

REV	DATE	DESCRIPTION	BY	CHKD
1E	10/1/54	REVISED ON INVENTOR		
2E	10/1/54	REVISED ON INVENTOR		
3E	10/1/54	REVISED ON INVENTOR		
4E	10/1/54	REVISED ON INVENTOR		
5E	10/1/54	REVISED ON INVENTOR		
6E	10/1/54	REVISED ON INVENTOR		
7E	10/1/54	REVISED ON INVENTOR		
8E	10/1/54	REVISED ON INVENTOR		
9E	10/1/54	REVISED ON INVENTOR		
10E	10/1/54	REVISED ON INVENTOR		
11E	10/1/54	REVISED ON INVENTOR		
12E	10/1/54	REVISED ON INVENTOR		
13E	10/1/54	REVISED ON INVENTOR		
14E	10/1/54	REVISED ON INVENTOR		
15E	10/1/54	REVISED ON INVENTOR		
16E	10/1/54	REVISED ON INVENTOR		
17E	10/1/54	REVISED ON INVENTOR		
18E	10/1/54	REVISED ON INVENTOR		
19E	10/1/54	REVISED ON INVENTOR		
20E	10/1/54	REVISED ON INVENTOR		
21E	10/1/54	REVISED ON INVENTOR		
22E	10/1/54	REVISED ON INVENTOR		
23E	10/1/54	REVISED ON INVENTOR		
24E	10/1/54	REVISED ON INVENTOR		
25E	10/1/54	REVISED ON INVENTOR		
26E	10/1/54	REVISED ON INVENTOR		
27E	10/1/54	REVISED ON INVENTOR		
28E	10/1/54	REVISED ON INVENTOR		
29E	10/1/54	REVISED ON INVENTOR		
30E	10/1/54	REVISED ON INVENTOR		
31E	10/1/54	REVISED ON INVENTOR		
32E	10/1/54	REVISED ON INVENTOR		
33E	10/1/54	REVISED ON INVENTOR		
34E	10/1/54	REVISED ON INVENTOR		
35E	10/1/54	REVISED ON INVENTOR		
36E	10/1/54	REVISED ON INVENTOR		
37E	10/1/54	REVISED ON INVENTOR		
38E	10/1/54	REVISED ON INVENTOR		
39E	10/1/54	REVISED ON INVENTOR		
40E	10/1/54	REVISED ON INVENTOR		
41E	10/1/54	REVISED ON INVENTOR		
42E	10/1/54	REVISED ON INVENTOR		
43E	10/1/54	REVISED ON INVENTOR		
44E	10/1/54	REVISED ON INVENTOR		
45E	10/1/54	REVISED ON INVENTOR		
46E	10/1/54	REVISED ON INVENTOR		
47E	10/1/54	REVISED ON INVENTOR		
48E	10/1/54	REVISED ON INVENTOR		
49E	10/1/54	REVISED ON INVENTOR		
50E	10/1/54	REVISED ON INVENTOR		

TABLE OF REVISIONS	
MATL.	REF. DWG.
	NAD-28112 (80')

THIS DRAWING IS THE CONFIDENTIAL PROPERTY OF FREEDOME INDUSTRIAL PRODUCTS CO. It is loaned to you for your use only. It is not to be copied, reproduced, or in any way disclosed to any other person without the prior written approval of Freedom Industrial Products Company.

The appearance of this drawing will be controlled as an acceptance of the drawing conditions, and as an agreement of the customer's responsibility to read the drawing of Freedom Industrial Products Company.

① IT15AA-3 ASSEMBLY

2X - 1/2-20 UNF-2A

PLOT SCALE: 1.000 SHIP NAME: A10240