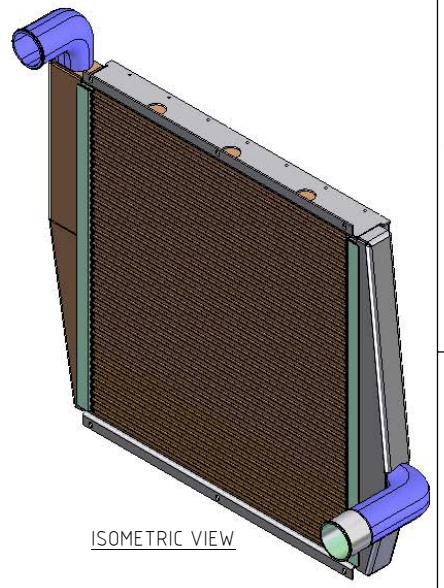
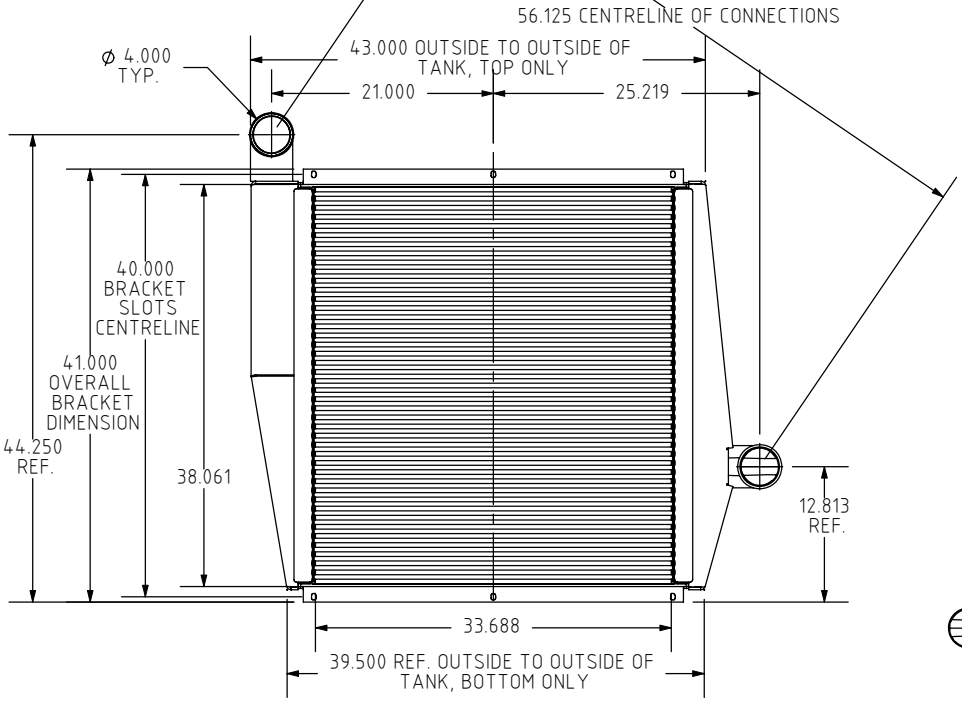


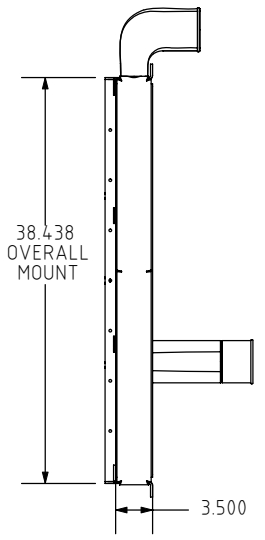
TOP VIEW



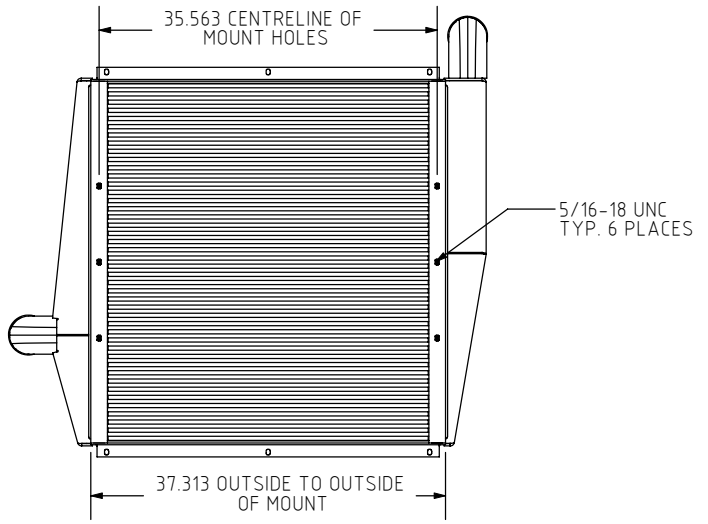
ISOMETRIC VIEW



FRONT VIEW



LEFT SIDE VIEW



BACK VIEW

MODIFICATION/APPROVAL SECTION:
MODIFICATION (PLEASE DESCRIBE)

APPROVED BY: _____
SIGNATURE: _____ DATE: _____

REV	DESCRIPTION	DATE	BY	CHK
A	RELEASED TO CUSTOMER	01/07/10	M.G.V.	

UNLESS OTHERWISE SPECIFIED
TOLERANCES AS REQUIRED.

THIS DRAWING AND ALL INFORMATION THEREIN IS THE PROPERTY OF DURA-LITE HEAT TRANSFER PRODUCTS LTD. CALGARY, ALBERTA, CANADA; AND IS CONFIDENTIAL. IT MUST NOT BE COPIED OR MADE PUBLIC. THIS DRAWING IS LOANED SUBJECT TO RETURN UPON DEMAND, AND SHALL NOT BE USED DIRECTLY OR INDIRECTLY IN ANY WAY DETRIMENTAL TO OUR INTERESTS. OUR PRIOR SPECIFIC APPROVAL IS REQUIRED FOR EXPOSURE TO THIS DRAWING TO OTHERS FOR ANY PURPOSE.

TITLE: CUSTOMER PRINT (FABRICATED TANKS)	
DURA-LITE HEAT TRANSFER PRODUCTS LTD. CALGARY, ALBERTA, CANADA	
DIMENSIONS ARE SHOWN IN INCHES / DRAWING NOT TO SCALE	
DRAWN BY: M.G.V.	DATE: 01/07/10
MODEL NO: BLUDAC-350B	DWG NO: 350B