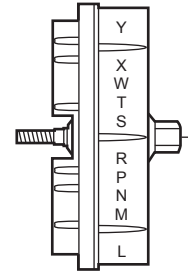
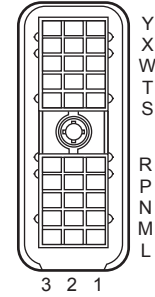
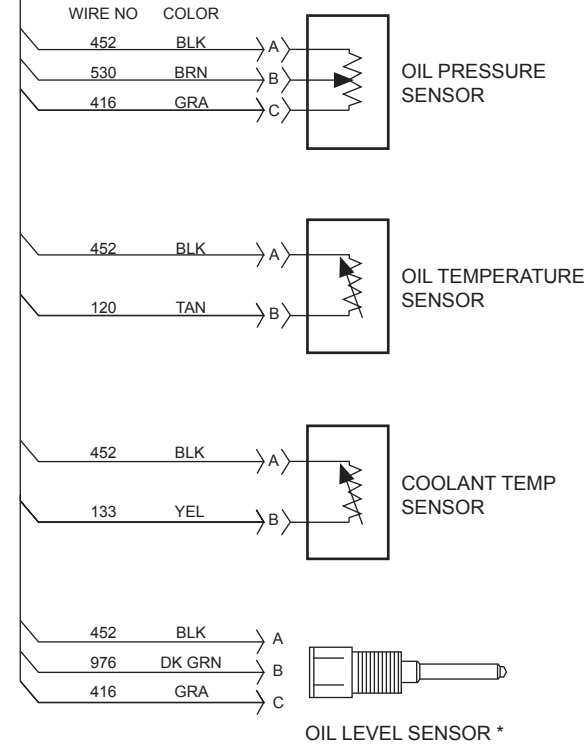


LABEL	WIRE NO	CAVITY	COLOR
TRS (-)	109	T-1	PPL
TRS (+)	110	T-2	DK GRN
SRS (+)	111	S-2	LT BLU
SRS (-)	112	S-1	WHT
OIL TEMPERATURE	120	R-2	TAN
AIR TEMPERATURE	132	N-2	WHT
COOLANT TEMPERATURE	133	P-3	YEL
SENSOR SUPPLY (5VDC)	416	W-1	GRA
TURBO BOOST	432	P-1	LT GRN
SENSOR RETURN (ENGINE)	452	Y-2	BLACK
FUEL TEMPERATURE	472	R-3	ORN
OIL PRESSURE	530	P-2	BRN
ENGINE BRAKE MED	561	S-3	RED
ENGINE BRAKE LO	562	T-3	ORN
DIGITAL OUTPUT W-3	563	W-3	YEL
DIGITAL OUTPUT X-3	564	X-3	TAN/BLK
DIGITAL OUTPUT Y-3	565	Y-3	RED
TIMED INPUT	573	X-1	BRN
AIR FILTER RESTRICTION*	904	L-1	PPL/WHT
FUEL RESTRICTION/FUEL PRESSURE*	905	M-1	YEL
ADD COOLANT LEVEL*	906	N-1	ORN
ANALOG INPUT #6	907	R-1	DK GRN
OI ALARM*	909	Y-1	LT GRN
OI STARTER*	910	W-2	ORN
PWM OUT #4	911	X-2	PNK
OI THERMOSTAT*	958	M-2	DK BLU
OIL LEVEL*	976	L-2	DK GRN

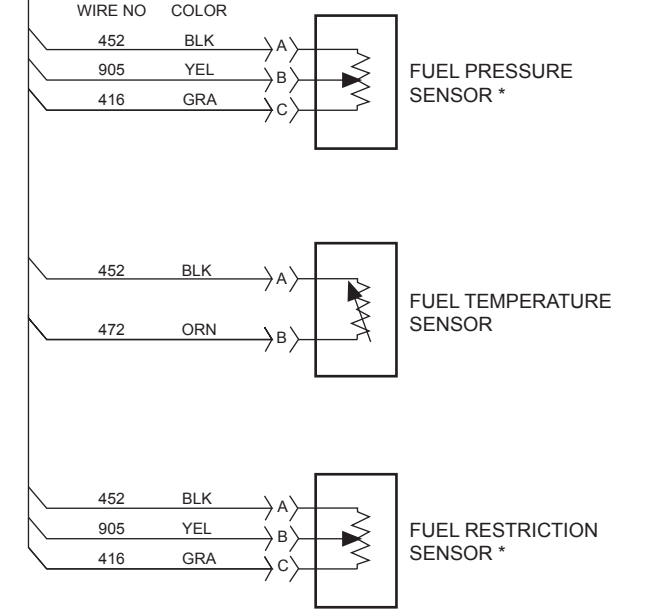


30 WAY CONNECTOR
DDC P/N: 12034400
TERMINAL
DDC P/N: 12103881

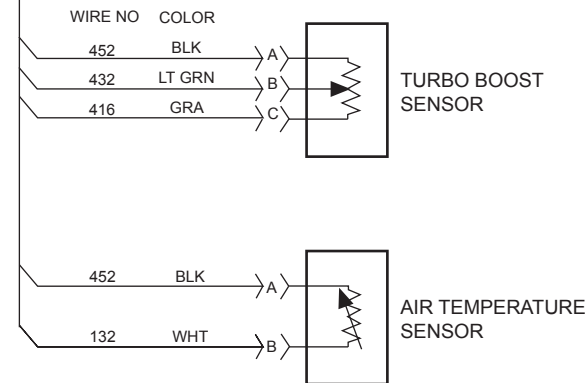
OIL AND COOLANT SENSORS



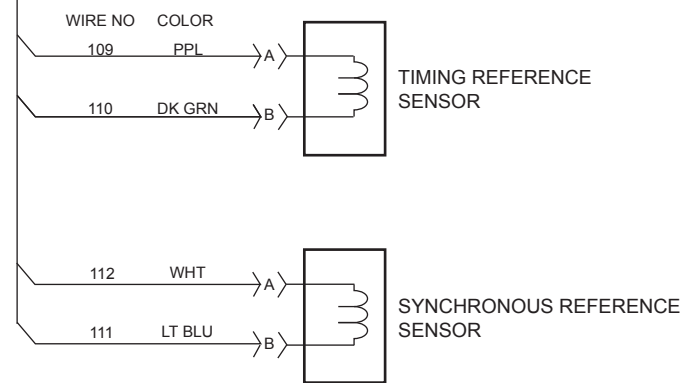
FUEL SENSORS



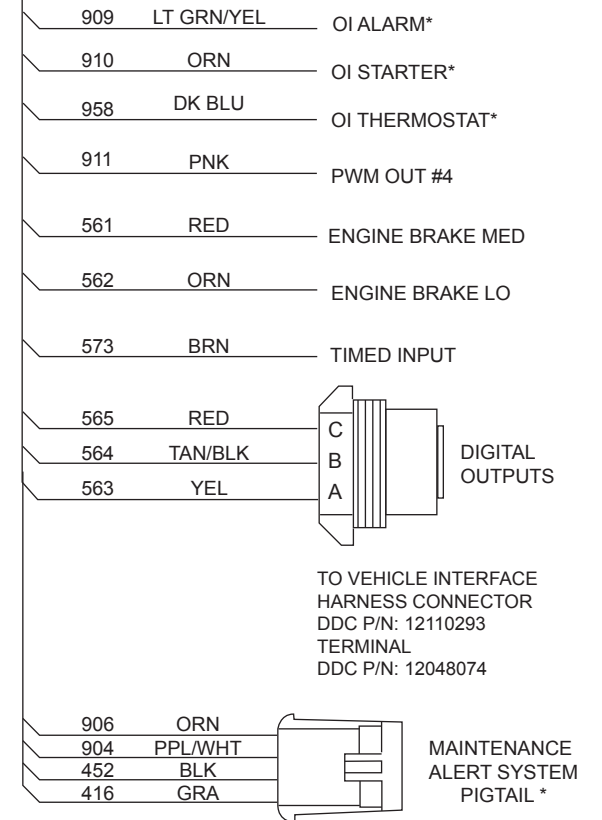
AIR SENSORS



CRANK POSITION SENSORS



WIRE NO. COLOR



SERIES 60 ENGINE SENSOR HARNESS

* Available in Some Applications

CONNECTOR
DDC P/N: 12047931